

42241-2 ✓ ACTIVE

FASTIN-FASTON | FASTIN-FASTON 250

TE Internal #: 42241-2

Tab, 18 – 14 AWG Wire Size, .82 – 2.08 mm² Wire Size, Mating Tab

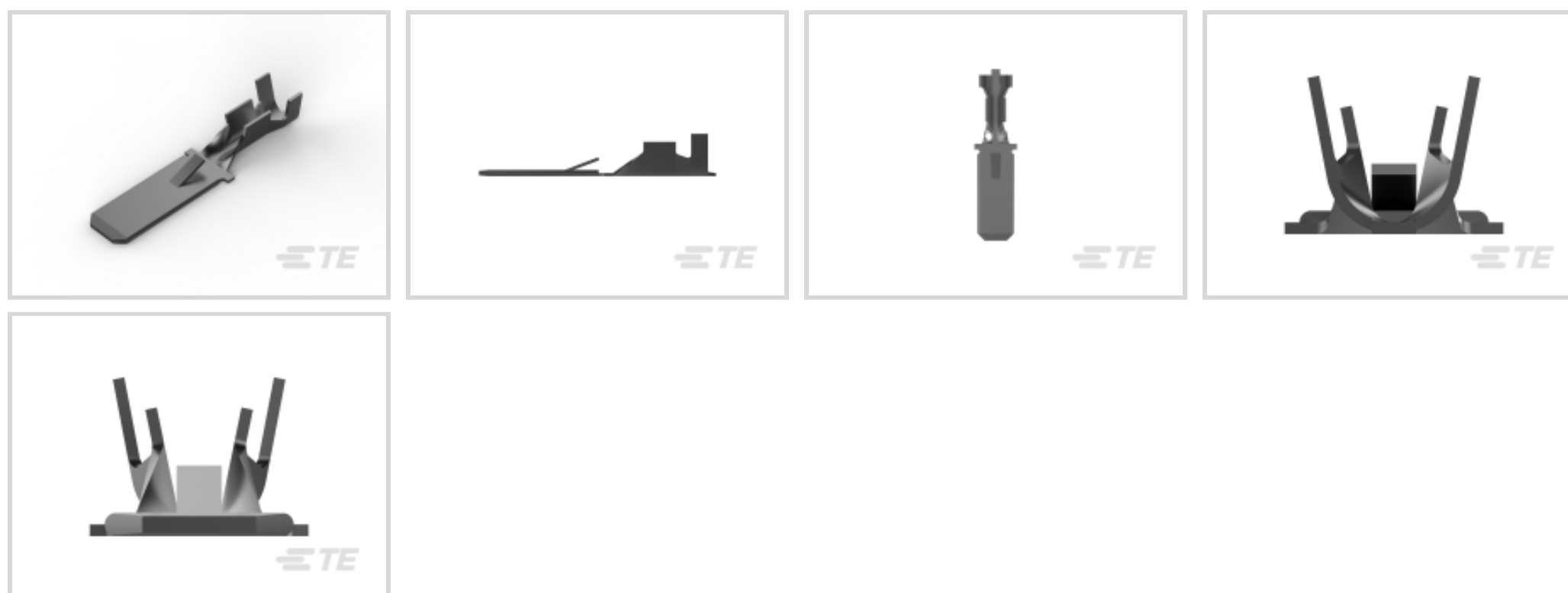
Width 6.35 mm [.25 in], Straight, Brass, FASTIN-FASTON 250, Quick

Disconnects

[View on TE.com >](#)



Terminals & Splices > Quick Disconnects



Quick Disconnect Terminal Type: **Tab**

Wire Size: **.82 – 2.08 mm²**

Mating Tab Width: **6.35 mm [.25 in]**

Mating Tab Thickness: **.81 mm [.032 in]**

Features

Product Type Features

| | |
|-----------------|--------|
| Insertion Force | Normal |
|-----------------|--------|

Configuration Features

| | |
|---------------------|--------|
| Connection Capacity | Single |
|---------------------|--------|

| | |
|-----------------------------------|---------------|
| Compatible With Wire & Cable Type | Discrete Wire |
|-----------------------------------|---------------|

Contact Features

| | |
|--------------------------------|-----|
| Quick Disconnect Terminal Type | Tab |
|--------------------------------|-----|

| | |
|------------------|------------------|
| Mating Tab Width | 6.35 mm [.25 in] |
|------------------|------------------|

| | |
|----------------------|------------------|
| Mating Tab Thickness | .81 mm [.032 in] |
|----------------------|------------------|

| | |
|----------------------|----------|
| Terminal Orientation | Straight |
|----------------------|----------|

| | |
|-----------------------|-------|
| Contact Base Material | Brass |
|-----------------------|-------|

| | |
|---------------------------|-----|
| Terminal Plating Material | Tin |
|---------------------------|-----|

| | |
|------------|---------|
| Crimp Type | F-Crimp |
|------------|---------|

| | |
|-------------|------|
| Barrel Type | Open |
|-------------|------|

Termination Features

| | |
|-----------------------|--------------|
| Product Terminates To | Wire & Cable |
|-----------------------|--------------|

Mechanical Attachment

| | |
|----------------------|-----------------|
| Locking Lance Height | 1.4 mm[.055 in] |
|----------------------|-----------------|

| | |
|-------------------------|------|
| Wire Insulation Support | With |
|-------------------------|------|

| | |
|-----------------------|---------------|
| Mating Retention Type | Locking Lance |
|-----------------------|---------------|

Dimensions

| | |
|-----------------------------|----------------|
| Terminal Material Thickness | .4 mm[.015 in] |
|-----------------------------|----------------|

| | |
|----------------|--------------------|
| Product Length | 29.18 mm[1.149 in] |
|----------------|--------------------|

| | |
|--------------------------------------|----------------------------|
| Compatible Insulation Diameter Range | 3.1 – 4.1 mm[.12 – .16 in] |
|--------------------------------------|----------------------------|

| | |
|-----------|----------------------------|
| Wire Size | .82 – 2.08 mm ² |
|-----------|----------------------------|

Usage Conditions

| | |
|-------------------|-------------|
| Insulation Option | Uninsulated |
|-------------------|-------------|

| | |
|-----------------------------|----------------------------|
| Operating Temperature Range | -40 – 110 °C[-40 – 230 °F] |
|-----------------------------|----------------------------|

Packaging Features

| | |
|--------------------|-----|
| Packaging Quantity | 500 |
|--------------------|-----|

| | |
|------------------|--------------------|
| Packaging Method | Loose Piece/Carton |
|------------------|--------------------|

Product Compliance

[For compliance documentation, visit the product page on TE.com>](#)

| | |
|------------------------------|-----------|
| EU RoHS Directive 2011/65/EU | Compliant |
|------------------------------|-----------|

| | |
|-----------------------------|-----------|
| EU ELV Directive 2000/53/EC | Compliant |
|-----------------------------|-----------|

| | |
|---|---|
| China RoHS 2 Directive MIIT Order No 32, 2016 | No Restricted Materials Above Threshold |
|---|---|

| | |
|--|---|
| EU REACH Regulation (EC) No. 1907/2006 | Current ECHA Candidate List: JUNE 2024 (241) Candidate List Declared Against: JUNE 2024 (241) Does not contain REACH SVHC |
|--|---|

| | |
|-----------------|---|
| Halogen Content | Low Halogen - Br, Cl, F, I < 900 ppm per homogenous material. Also BFR/CFR/PVC Free |
|-----------------|---|

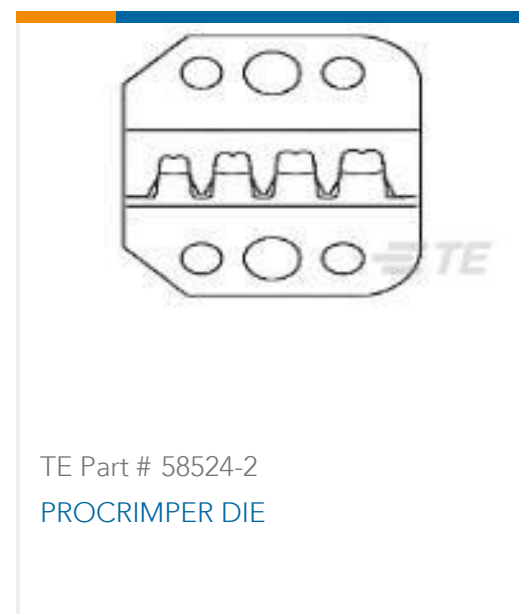
| | |
|---------------------------|--|
| Solder Process Capability | Not applicable for solder process capability |
|---------------------------|--|

Product Compliance Disclaimer

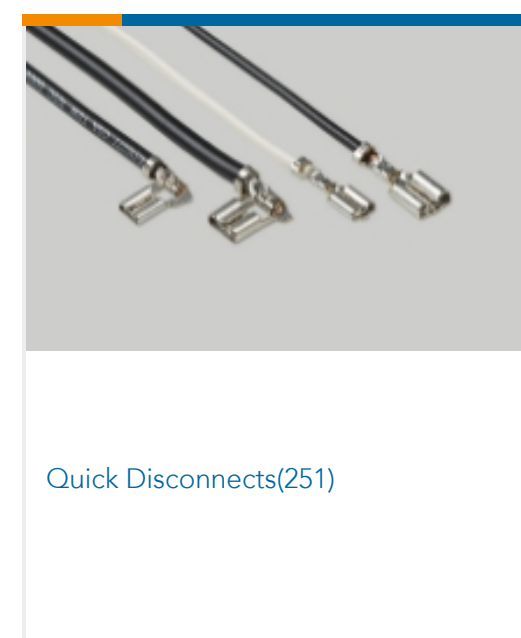
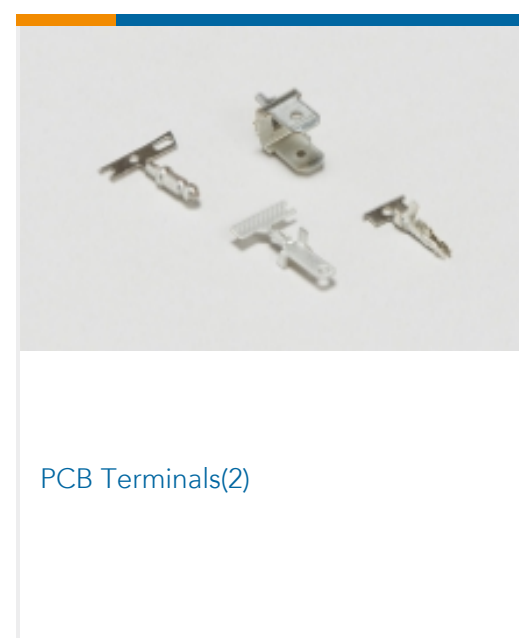
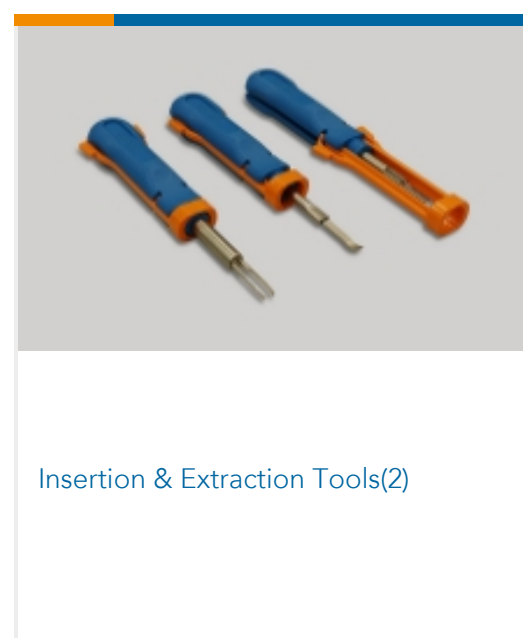
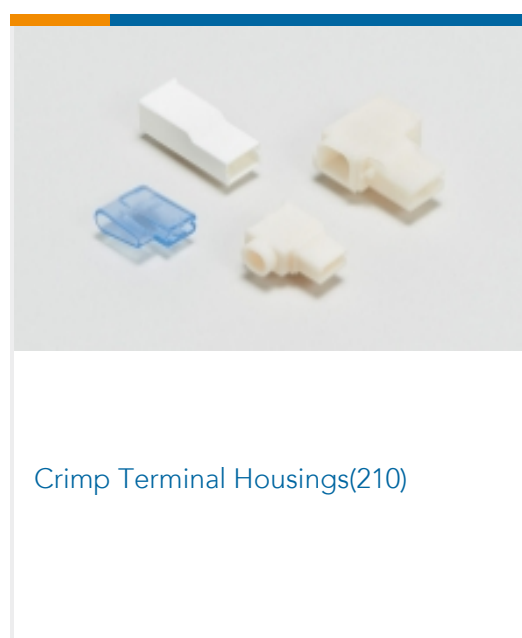
This information is provided based on reasonable inquiry of our suppliers and represents our current actual knowledge based on the information they provided. This information is subject to change. The part numbers that TE has identified as EU RoHS compliant have a maximum concentration of 0.1% by weight in homogenous materials for lead, hexavalent chromium, mercury, PBB, PBDE, DBP, BBP, DEHP, DIBP, and 0.01% for cadmium, or qualify for an exemption to these

limits as defined in the Annexes of Directive 2011/65/EU (RoHS2). Finished electrical and electronic equipment products will be CE marked as required by Directive 2011/65/EU. Components may not be CE marked. Additionally, the part numbers that TE has identified as EU ELV compliant have a maximum concentration of 0.1% by weight in homogenous materials for lead, hexavalent chromium, and mercury, and 0.01% for cadmium, or qualify for an exemption to these limits as defined in the Annexes of Directive 2000/53/EC (ELV). Regarding the REACH Regulation, the information TE provides on SVHC in articles for this part number is based on the latest European Chemicals Agency (ECHA) 'Guidance on requirements for substances in articles' posted at this URL: <https://echa.europa.eu/guidance-documents/guidance-on-reach>

Compatible Parts



Also in the Series | FASTIN-FASTON 250



Customers Also Bought



TE Part #163007
FF 250 REC HSG 8P NYLON CLEAR



TE Part #180901
FF 250 TAB HSG 4P NYLON NAT



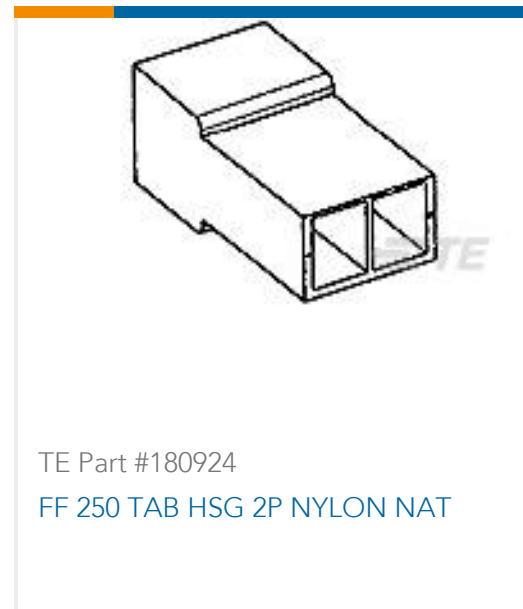
TE Part #42238-2
FF 250 REC 18-14AWG TPBR PRE CRIMPED



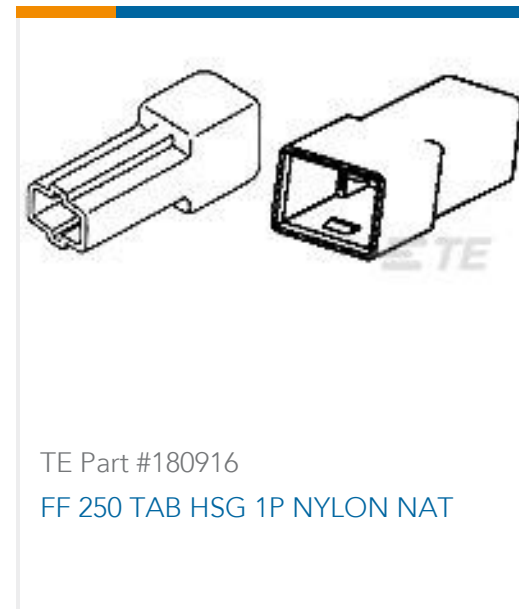
TE Part #180940
FF 250 TAB HSG 3P NYLON NAT



TE Part #180908
FF 250 TAB HSG 2P NYLON NAT



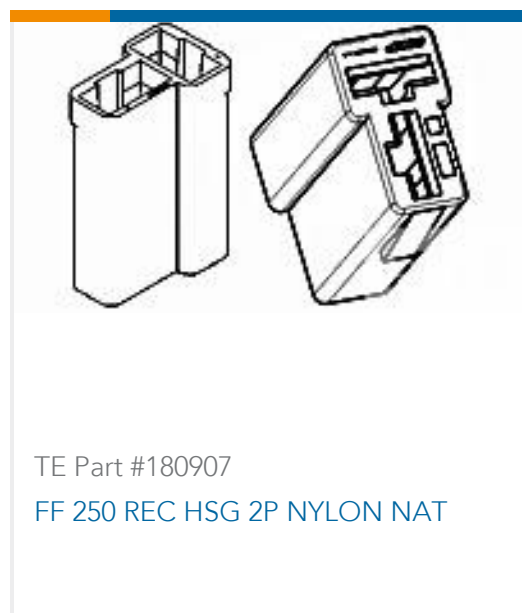
TE Part #180924
FF 250 TAB HSG 2P NYLON NAT



TE Part #180916
FF 250 TAB HSG 1P NYLON NAT



TE Part #151326-1
FF 250 TAB HSG 11P NYLON NAT



TE Part #180907
FF 250 REC HSG 2P NYLON NAT



TE Part #794211-1
20P MINI UMN2 CAP HSG UL94V0

Documents

Product Drawings

[FF 250 TAB 18-14 AWG .032 TPBR](#)

English

CAD Files

[3D PDF](#)

3D

Customer View Model

[ENG_CVM_CVM_42241-2_AB_c-42241-2-ab.2d_dxf.zip](#)

English

Customer View Model

[ENG_CVM_CVM_42241-2_AB_c-42241-2-ab.3d_igs.zip](#)

English

Customer View Model

[ENG_CVM_CVM_42241-2_AB_c-42241-2-ab.3d_stp.zip](#)

English

By downloading the CAD file I accept and agree to the [Terms and Conditions](#) of use.

Product Specifications



FASTIN-FASTON CONN. .110 INCH, .187 INCH, .250 INCH, .375 INCH SRS.

English

Product Specification

English

Instruction Sheets

Instruction Sheet (non U.S.)

Japanese

Instruction Sheet (non U.S.)

Japanese