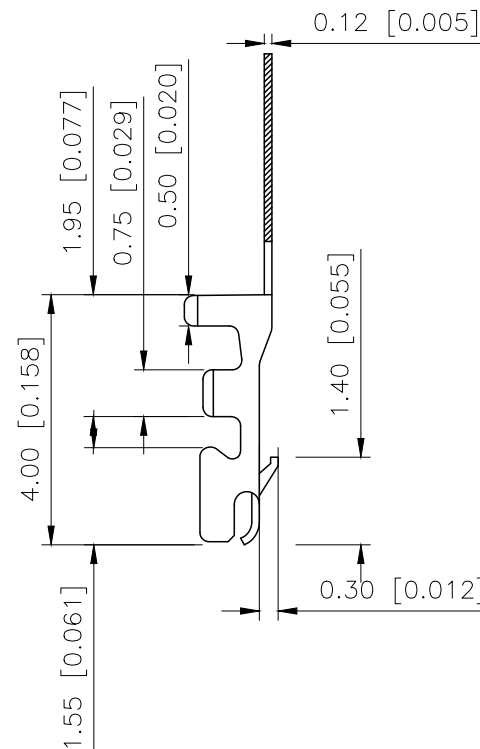
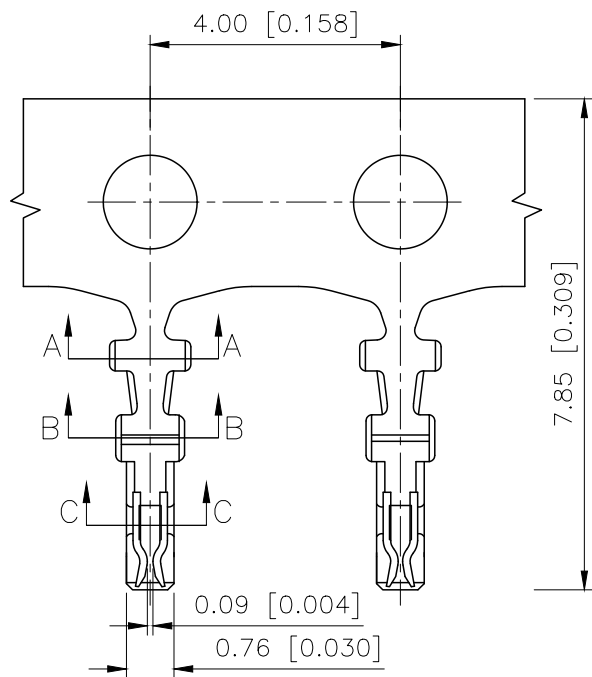


REVISIONS					
REV.	ECN NO.	LOCATION	DESCRIPTION	DATE	DESIGN
A0	N/A		INITIAL RELEASE		
A1	N/A		图面升级整理图面	2024.08.30	阿树



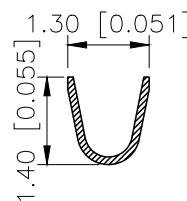
■SPECIFICATIONS

- Voltage rating:125V AC/DC
- Current rating:1A AC/DC
- Withstanding Voltage:500V AC/minute
- Temperature range:-40°C~+125°C
- Insulation resistance:≥100MΩ
- Contact resistance:≤20mΩ
- After environmental testing:≤40mΩ

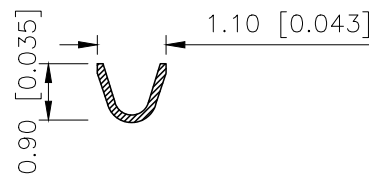
PART NO.:

X1002 I-P XX-A
① ② ③ ④ ⑤

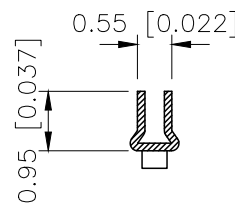
- ①Series No
- ②Category:T-Traminal
- ③Material:P-Phosphor bronze
- ④Plug the Pin:V01-All Gold Flash
SN-Bright tin plating 70u'';30u'' Ni
SN2-50u'' Ni Min,120u'' Tin Min
- ⑤Mold No./Mark/Special No. A-Ultra-thin



SECTION A-A
SCALE 1:1



SECTION B-B
SCALE 1:1



SECTION C-C
SCALE 1:1

X1002T-PSN2-A	Phospho Bronze	AWG#28-32	0.92mm	Stamping Before Plating:50u'' Min Ni;120u''Sn Min	X1002H-A , X1002H-B
X1002T-PV01-A				Stamping Before Pating:30u'' Ni;Whole Gold:Gold Flash	
X1002T-PSN-A				Stamping Before Plating:30u'' Ni;70u''Sn	
PART NO	Material	Wire Range	Insulation O.D.	Finish	Suitable XKB Terminal

ANGLAR	±5°
X.	±0.40
X.x	±0.30
X.xx	±0.20
X.xxx	±0.15
UNSPECIFIED TOLERANCES	



DESIGN	阿树	VIEW:		MODEL TYPE:	1.0mm Crimp Style Connectors
CHECKED		UNIT:	mm/in	PART NO.:	X1002T-PSN-A
APPROVED		SIZE:	A4	DWG NO.:	