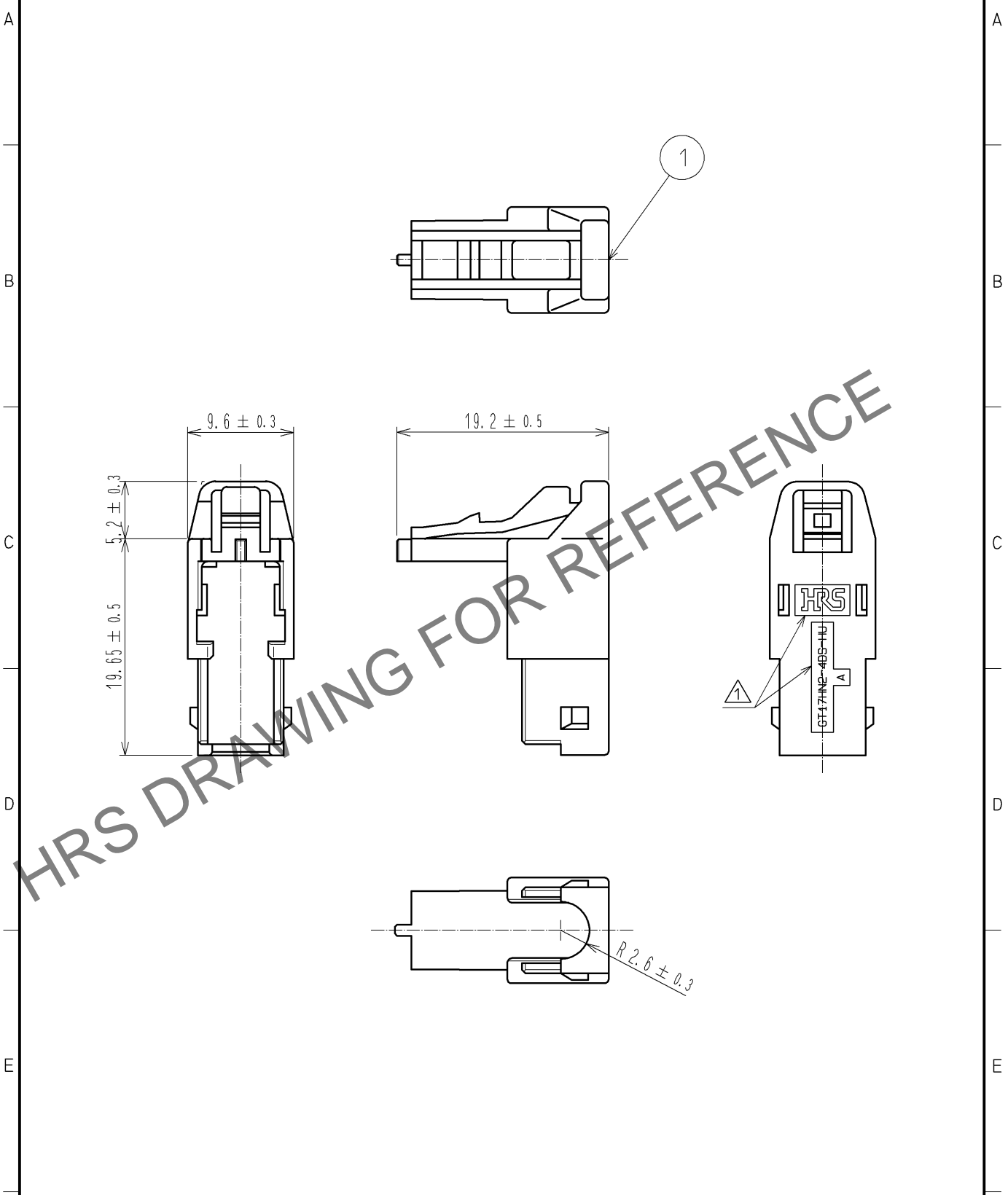


ELV, RoHS COMPLIANT



In case of consideration for using Automotive equipment / device which demand high reliability, kindly contact our sales window correspondents.

1	PBT-M	DARK GRAY						
NO.	MATERIAL	FINISH	REMARKS	NO.	MATERIAL	FINISH	REMARKS	
UNITS mm		SCALE 2 : 1	COUNT 1	DESCRIPTION OF REVISIONS DIS-T-002625		DESIGNED TS. KUBOTA	CHECKED NH. NAKATA	DATE 12. 03. 01
HIROSE ELECTRIC CO., LTD.		APPROVED : AR. SHIRAI	11. 12. 28	DRAWING NO.		EDC3-168832-00		
		CHECKED : AR. SHIRAI	11. 12. 28	PART NO.		GT17HN2-4DS-HU		
		DESIGNED : NH. NAKATA	11. 12. 20	CODE NO.		CL767-0264-8-00		
		DRAWN : NH. NAKATA	11. 12. 20			1/1		