

Technical specification:

Degree of protection: IP 67, in mated condition
IEC 60529

Temperature range: -30°C ... +120°C

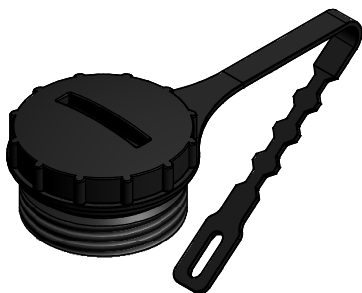
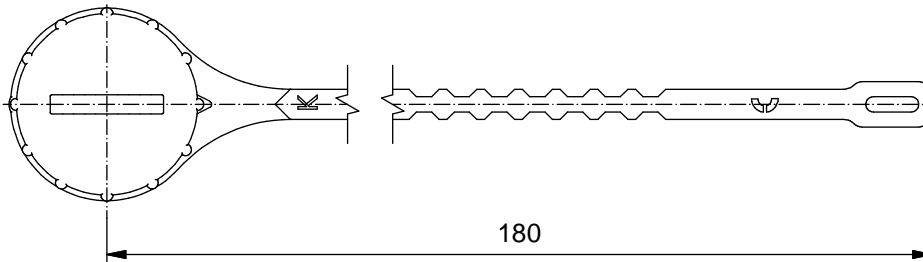
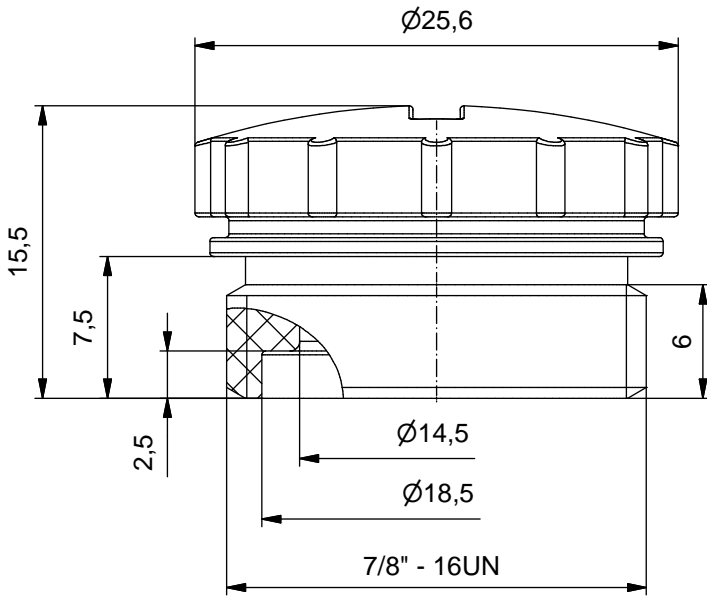
Materials:

Protecting cap: PA GF

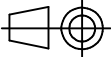

Loop: TPU-V

Installation specification:

Recommended torque: 0,8 Nm



Part no:	Description:	Colour:
41-01477	Protecting cap 7/8" female socket with loop	black

DO NOT ALTER CAD DRAWING BY HAND Directive 2002/95/EC RoHS compliant	Index: b 11.11.13 Brü Ä4989 Data sheet revised, material changed	 dim. in mm	title: Protecting cap 7/8" with loop, female socket									
				<table border="1"> <tr> <td></td> <td>date</td> <td>name</td> </tr> <tr> <td>drawn</td> <td>18.01.13</td> <td>Gitinow</td> </tr> <tr> <td>appd.</td> <td>21.01.13</td> <td>Kniesburgers</td> </tr> </table>		date	name	drawn	18.01.13	Gitinow	appd.	21.01.13
		date		name								
	drawn	18.01.13		Gitinow								
appd.	21.01.13	Kniesburgers										
general tolerance: 0 ± 0,50mm 0,0 ± 0,25mm 0,00 ± 0,10mm		dwg no:										
THIS DRAWING MAY NOT BE COPIED OR REPRODUCED IN ANY WAY, AND MAY NOT BE PASSED ON TO A THIRD PARTY WITHOUT WRITTEN PERMISSION. OWNERSHIP AND COPYRIGHT OF CONEC GmbH		41K1A484 part no: see table										