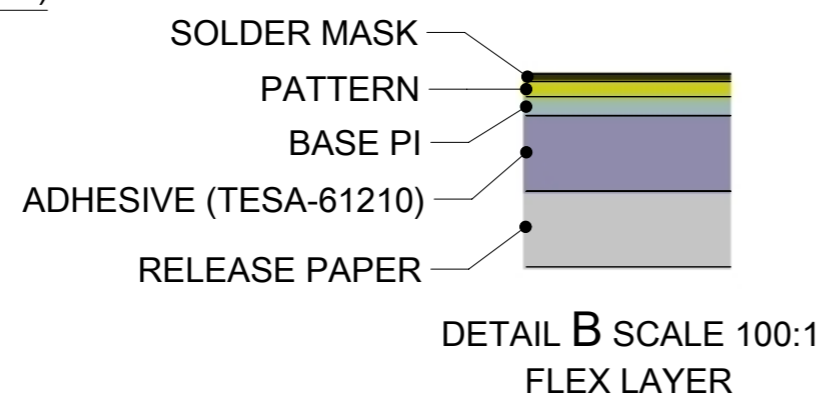
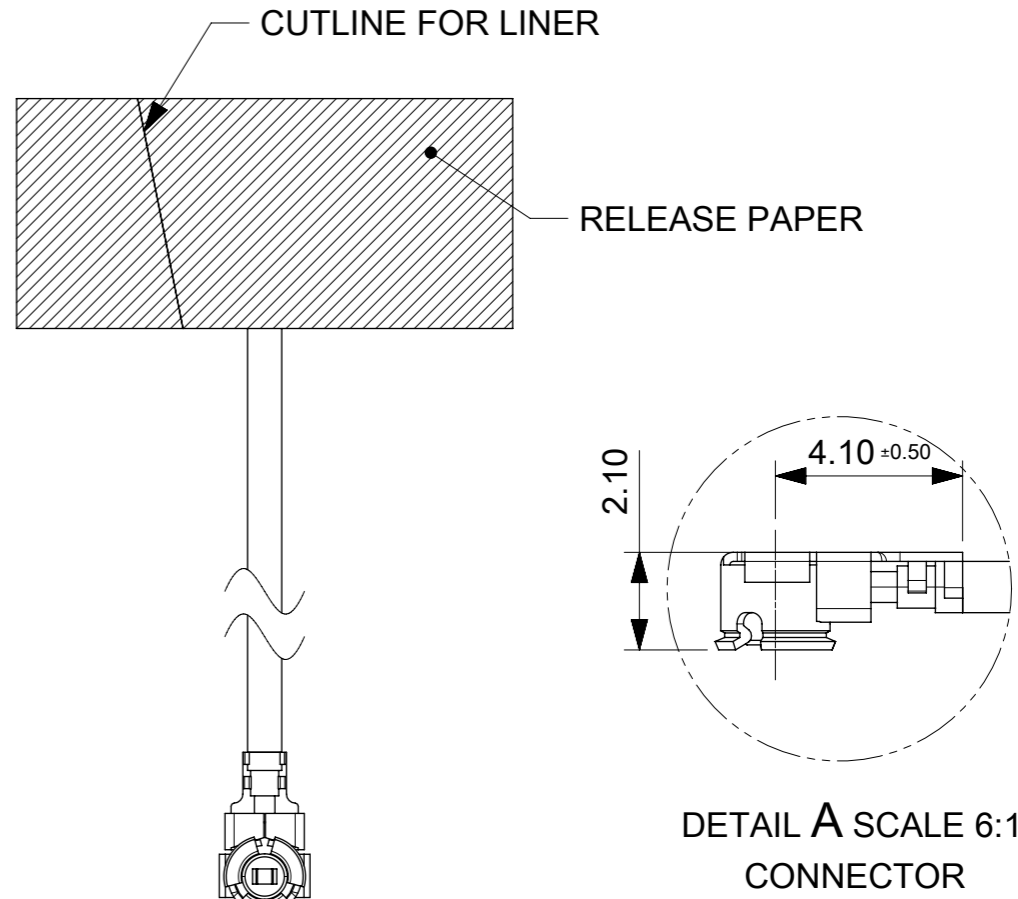
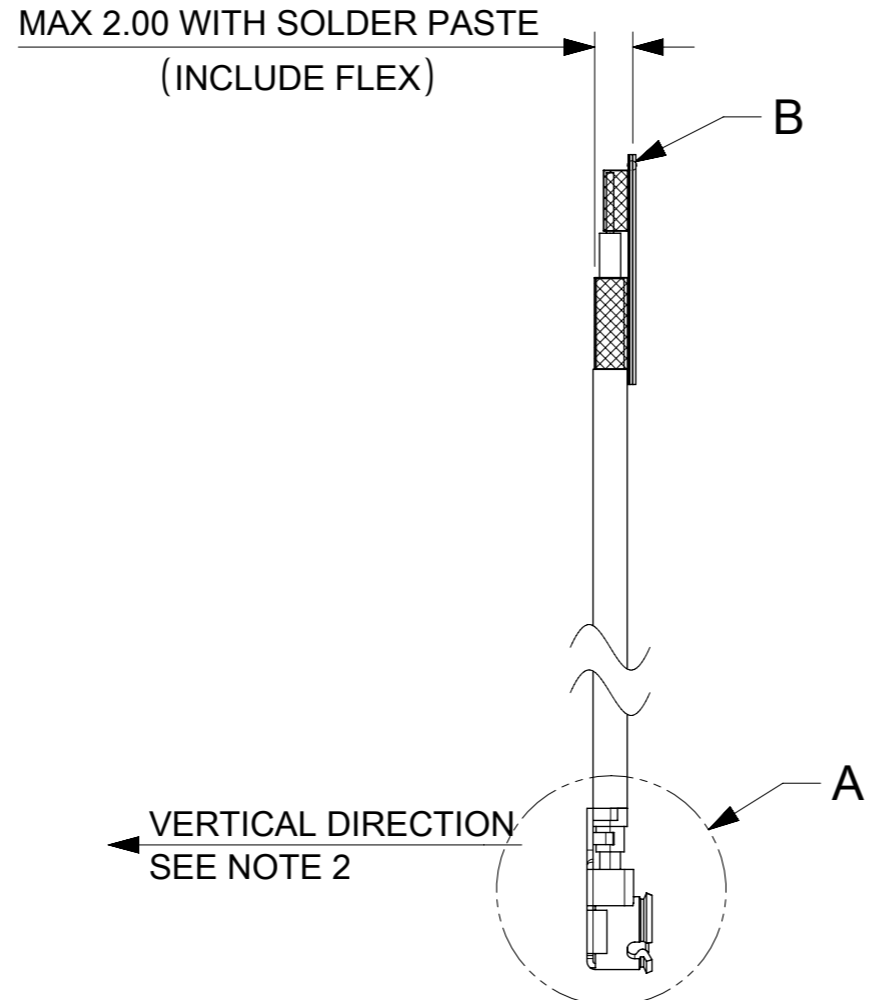
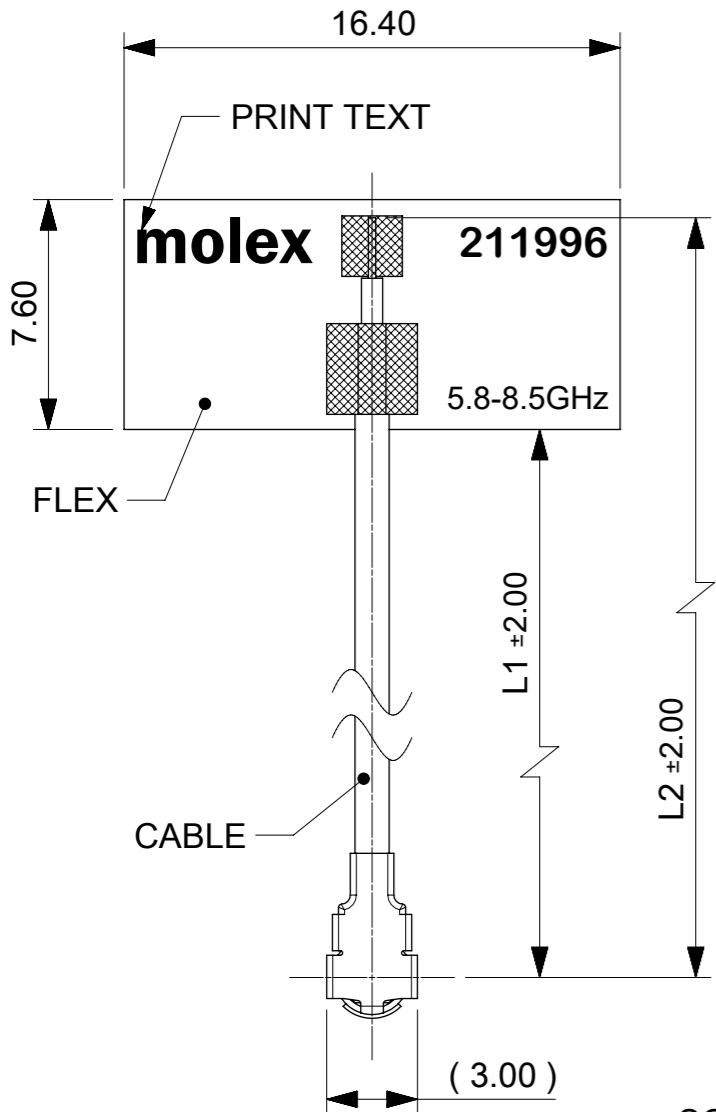


REV	DATE	CHANGE DESCRIPTION
A	2019/03/22	NEW RELEASE
B	2019/12/02	UPDATE PRINT TEXT (5.9 CHANGE OF 5.8-8.5)
B1	2023/11/09	OBSOLETE PART NUMBERS



- NOTES:
- MATERIAL:FLEX SIZE 16.4*7.6 mm
CABLE:Ø1.13 mm
CONNECTOR:OD1.13 RF 2.5H U.FL CONNECTOR-PLUG GOLD PLATED (IPEX MHF-I COMPATIBLE)
 - FOR PULL TEST, CAN NOT LIFT UP IN THE VERTICAL DIRECTION.
 - SOLDER MASK COLOR:BLACK.
 - PRINT TEXT COLOR:WHITE.
 - ADHESIVE MATERIAL:TESA-61210 100um.
 - THE CONNECTOR WILL BE PROTECTED WITH A CAP

ITEM	MATERIAL NO.	"L1"-LENGTH	"L2"-LENGTH
1	2119960050	43 mm	50 mm
2	2119960100	93 mm	100 mm

THIS DRAWING CONTAINS INFORMATION THAT IS PROPRIETARY TO MOLEX ELECTRONIC TECHNOLOGIES, LLC AND SHOULD NOT BE USED WITHOUT WRITTEN PERMISSION

DIMENSION UNITS mm	SCALE 2:1	CURRENT REV DESC: REMOVED OBSOLETE PART NUMBERS AS PER PCN#514494		molex	
GENERAL TOLERANCES (UNLESS SPECIFIED)		EC NO: 770993			
ANGULAR TOL	± °	DRWN: VISHAH2		2023/11/09	
4 PLACES	±	CHK'D: GGA		2023/12/25	
3 PLACES	± 0.2	APPR: GGA		2023/12/25	
2 PLACES	± 0.25	INITIAL REVISION:		DOCUMENT NUMBER	
1 PLACE	± 0.3	DRWN: KCHENG06		2119960100	
0 PLACES	± 0.5	APPR: XJSONG		PSD 000 B1	
DRAFT WHERE APPLICABLE MUST REMAIN WITHIN DIMENSIONS	THIRD ANGLE PROJECTION	DRAWING	SERIES	MATERIAL NUMBER	CUSTOMER
		A3-SIZE	211996	SEE TABLE	GENERAL MARKET
					SHEET NUMBER
					1 OF 1