



**AMPLIMITE**

TE Internal #: 205558-2

Plug, Cable-to-Cable, 15 Position, 2 Connector Shell Size, Pin, Size 20 Contact Size, 2.77 mm [.109 in] Centerline, Box Mount D-Sub Connectors

[View on TE.com >](#)

Connectors > D-Shaped Connectors > D-Sub Connectors > Box Mount D-Sub Connectors



Connector & Housing Type: **Plug**

Connector System: **Cable-to-Cable**

Number of Positions: **15**

Power/Signal/Coax Combination: **No**

Connector Shell Size: **2**

**Features**

**Product Type Features**

Connector & Housing Type	Plug
Connector System	Cable-to-Cable
Connector Shell Size	2
Sealable	No
Connector & Contact Terminates To	Wire & Cable

**Configuration Features**

Number of Positions	15
Power/Signal/Coax Combination	No

**Body Features**

Rear Shell Material	Steel
Rear Shell Plating Material	Cadmium
Front Shell Plating Material	Cadmium
Mating Retention Feature Material	Stainless Steel
Front Shell Material	Steel

**Contact Features**

Contact Options	Supplied – Uninstalled
Contact Mating Area Plating Material	Gold
Contact Base Material	Copper Alloy



Contact Type	Pin
Contact Size	Size 20
Contact Current Rating (Max)	7.5 A

#### Termination Features

Termination Method to Wire & Cable	Crimp
------------------------------------	-------

#### Mechanical Attachment

Mounting Hole Diameter	3.05 mm [.12 in]
Connector Mounting Type	Panel Mount
Mating Alignment	Without

#### Housing Features

Centerline (Pitch)	2.77 mm [.109 in]
--------------------	-------------------

#### Usage Conditions

Operating Temperature Range	-55 – 125 °C [-67 – 257 °F]
-----------------------------	-----------------------------

#### Operation/Application

Circuit Application	Signal
---------------------	--------

#### Packaging Features

Packaging Method	Package
------------------	---------

### Product Compliance

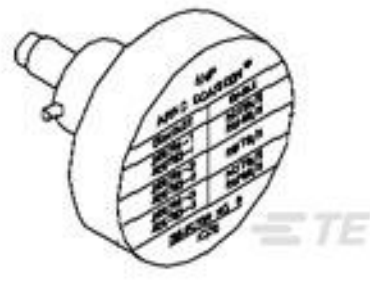
[For compliance documentation, visit the product page on TE.com>](#)

EU RoHS Directive 2011/65/EU	Not Compliant
EU ELV Directive 2000/53/EC	Not Compliant
China RoHS 2 Directive MIIT Order No 32, 2016	Restricted Materials Above Threshold
EU REACH Regulation (EC) No. 1907/2006	Current ECHA Candidate List: JUNE 2024 (241) Candidate List Declared Against: JAN 2024 (240) SVHC > Threshold: Cd (99.5% in Component part) Pb (1.5% in Component part) <b>Article Safe Usage Statements:</b> Use personal protective equipment as required. Do not eat, drink or smoke when using this product. Wash thoroughly after handling. Recycle if possible and dispose of the article by following all applicable governmental regulations relevant to your geographic location.
Halogen Content	Not Low Halogen - contains Br or Cl > 900 ppm.
Solder Process Capability	Not applicable for solder process capability

Product Compliance Disclaimer

This information is provided based on reasonable inquiry of our suppliers and represents our current actual knowledge based on the information they provided. This information is subject to change. The part numbers that TE has identified as EU RoHS compliant have a maximum concentration of 0.1% by weight in homogenous materials for lead, hexavalent chromium, mercury, PBB, PBDE, DBP, BBP, DEHP, DIBP, and 0.01% for cadmium, or qualify for an exemption to these limits as defined in the Annexes of Directive 2011/65/EU (RoHS2). Finished electrical and electronic equipment products will be CE marked as required by Directive 2011/65/EU. Components may not be CE marked. Additionally, the part numbers that TE has identified as EU ELV compliant have a maximum concentration of 0.1% by weight in homogenous materials for lead, hexavalent chromium, and mercury, and 0.01% for cadmium, or qualify for an exemption to these limits as defined in the Annexes of Directive 2000/53/EC (ELV). Regarding the REACH Regulation, the information TE provides on SVHC in articles for this part number is based on the latest European Chemicals Agency (ECHA) 'Guidance on requirements for substances in articles' posted at this URL: <https://echa.europa.eu/guidance-documents/guidance-on-reach>

### Compatible Parts



TE Part # 601966-5  
K13-1 POSITIONER



TE Part # 601966-1  
CRIMPING TOOL M22520/2-01

### Customers Also Bought



TE Part #66425-7  
III+ PIN,30-26,15AU/FL,STRIP



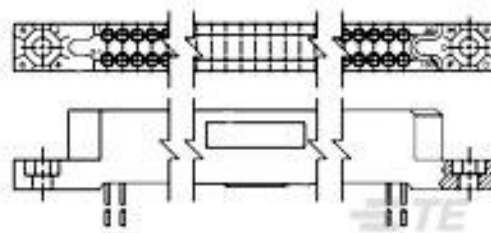
TE Part #204514-2  
RECEIPT ASSY,26 POSN,AMPLIMITE



TE Part #205557-2  
RECEIPT ASSY,15 POSN,AMPLIMITE



TE Part #104055-000  
22759/34-18-6



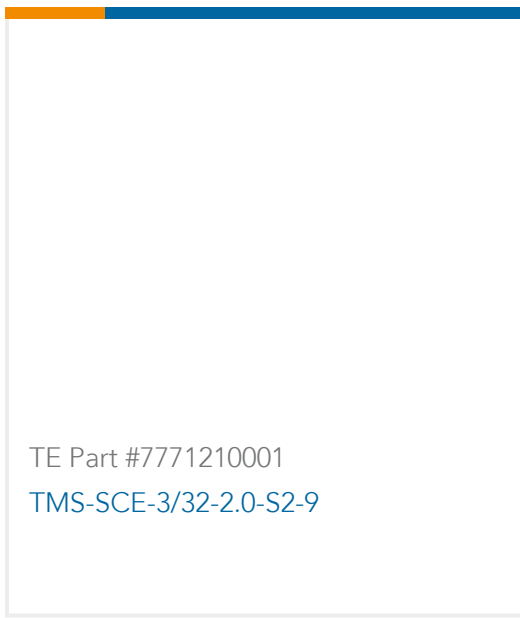
TE Part #531142-5  
2 ROW BOX RECP 50 POS STAG



TE Part #TRAT1560  
OMNI,Ph,NMO,156-172MHz WHT,0,60

TE Part #5-1532016-7  
094-9604-0005=MCK-C2-B-37PX-1

TE Part #EXH160SFK  
DUCK,EXH,155-165MHz,1/4W



## Documents

### Product Drawings

[AMPLIMITE,ASY,PLUG,STD,109,2](#)

English

### CAD Files

[3D PDF](#)

3D

Customer View Model

[ENG\\_CVM\\_CVM\\_205558-2\\_H.2d\\_dxf.zip](#)

English

Customer View Model

[ENG\\_CVM\\_CVM\\_205558-2\\_H.3d\\_igs.zip](#)

English

Customer View Model

[ENG\\_CVM\\_CVM\\_205558-2\\_H.3d\\_stp.zip](#)

English

By downloading the CAD file I accept and agree to the [Terms and Conditions](#) of use.

### Datasheets & Catalog Pages

[1308940\\_Sec8\\_amplimite](#)

English