

Signal isolator - PI-EX-DO/REL-S - 2865120


Please be informed that the data shown in this PDF Document is generated from our Online Catalog. Please find the complete data in the user's documentation. Our General Terms of Use for Downloads are valid (<http://phoenixcontact.com/download>)



Ex i binary output: Relay with intrinsically safe contact side. For switching intrinsically safe circuits. Control either with external switching voltages or floating switch contacts. With additional hand-operated level. Electrical isolation.



Key Commercial Data

Packing unit	1 pc
GTIN	 4 017918 956639
GTIN	4017918956639

Technical data

Note

Utilization restriction	EMC: class A product, see manufacturer's declaration in the download area
-------------------------	---

Dimensions

Width	12.4 mm
Height	145 mm
Depth	147 mm

Ambient conditions

Ambient temperature (operation)	-20 °C ... 55 °C
Ambient temperature (storage/transport)	-40 °C ... 85 °C
Degree of protection	IP20

Input data

Available input sources	External voltage actuated operation; 4 V DC < U _s < 30 V DC: Relay picks up; U _s < 2 V DC: Relay drops out
	Operation via external switching contact, switch closed: Relay picks up; switch open: Relay drops out
Operating mode	Can be adjusted via a slide switch in the front of the housing

Signal isolator - PI-EX-DO/REL-S - 2865120

Technical data

Output data

Switching output	Relay output
Contact type	1 PDT
Contact material	AgNi, + 5 µm Au
Maximum switching voltage	30 V DC
Limiting continuous current	300 mA (when intrinsically safe circuits are connected)
Contact transition resistor	≤ 0.1 Ω
Mechanical service life	3x 10 ⁶ cycles
Service life, electrical	50000 cycles (at 24 V DC / 10 A / 85°C)

Power supply

Supply voltage range	20 V DC ... 30 V DC
----------------------	---------------------

Connection data

Connection method	Plug connection
-------------------	-----------------

General

No. of channels	1
Status display	Green LED (supply voltage) Yellow LED (status display)
Flammability rating according to UL 94	V0
Housing material	PBT and polyamide PA non-reinforced
Color	green
Designation	Input/output
Electrical isolation	375 V (Peak value as per EN 50020 / EN 60079-11) 1.5 kV (50 Hz, 1 min., test voltage)
Designation	Output/supply
Electrical isolation	375 V (Peak value as per EN 50020 / EN 60079-11)
Conformance	CE-compliant
ATEX	# II (1) G [Ex ia] IIC # II (1) D [Ex iaD] # II 3 G Ex nAC IIC T4 X

Safety data

Safety-related maximum voltage U _m	250 V AC
---	----------

Standards and Regulations

Flammability rating according to UL 94	V0
Conformance	CE-compliant
ATEX	# II (1) G [Ex ia] IIC # II (1) D [Ex iaD] # II 3 G Ex nAC IIC T4 X

Environmental Product Compliance

REACH SVHC	Lead 7439-92-1
------------	----------------

Signal isolator - PI-EX-DO/REL-S - 2865120

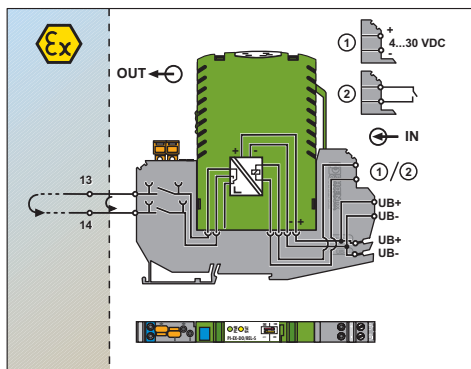
Technical data

Environmental Product Compliance

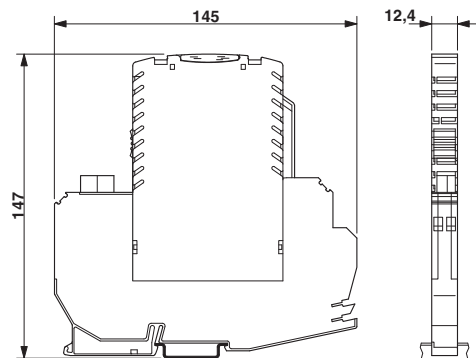
China RoHS	Environmentally Friendly Use Period = 50
	For details about hazardous substances go to tab "Downloads", Category "Manufacturer's declaration"

Drawings

Block diagram



Dimensional drawing



Phoenix Contact 2018 © - all rights reserved
<http://www.phoenixcontact.com>

PHOENIX CONTACT GmbH & Co. KG
Flachsmarktstr. 8
32825 Blomberg
Germany
Tel. +49 5235 300
Fax +49 5235 3 41200
<http://www.phoenixcontact.com>

Mouser Electronics

Authorized Distributor

Click to View Pricing, Inventory, Delivery & Lifecycle Information:

[Phoenix Contact:](#)

[2865120](#)