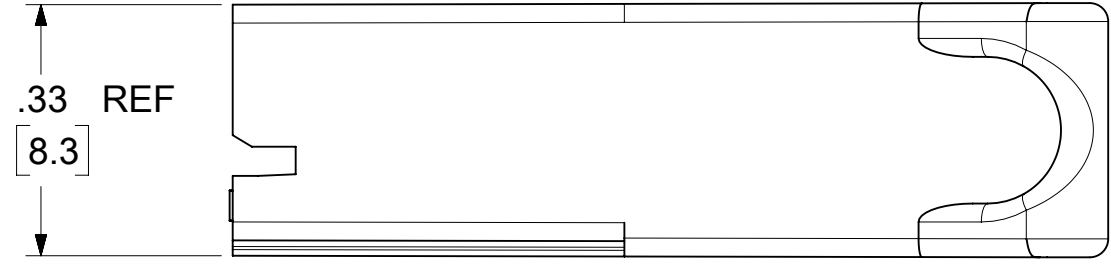
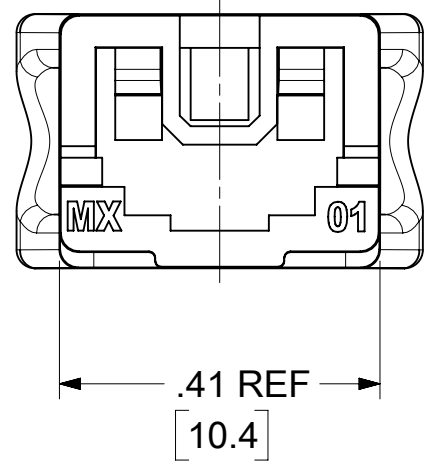
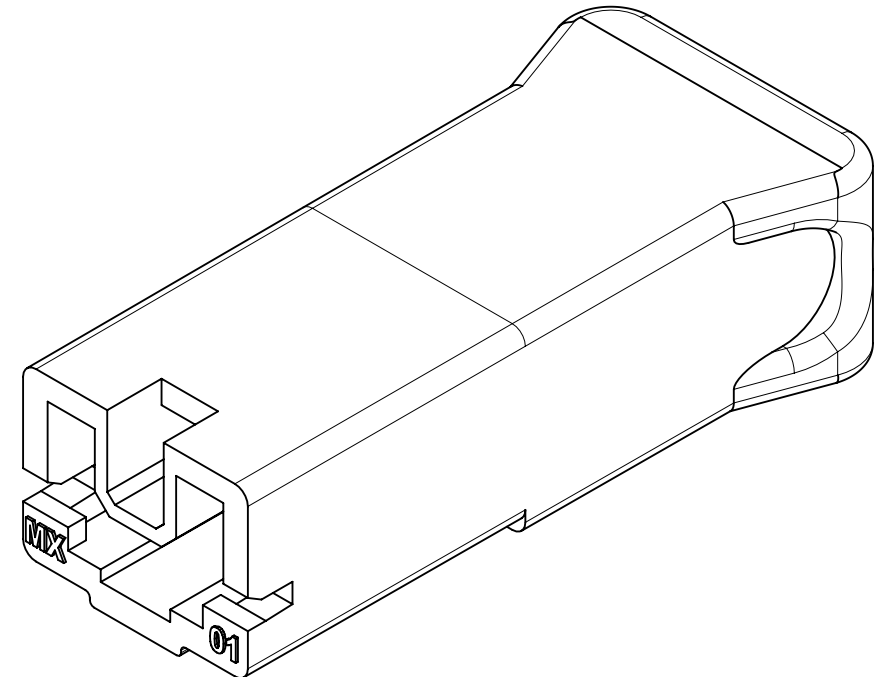
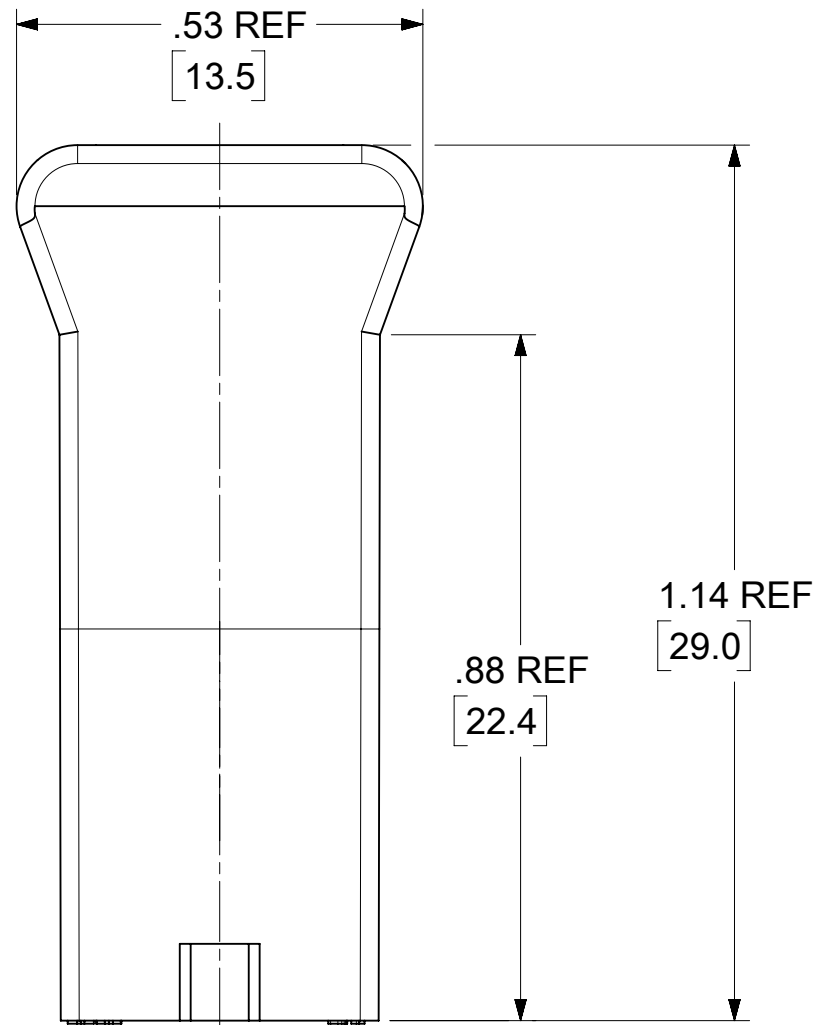


MAT'L NO.	ENG NO.	DESCRIPTION
194390007	19439-0007	HOUSING, NYLON PER UL94V-2
194390008	19439-0008	HOUSING, NYLON PER UL94V-0



NOTE(S):

- MATERIAL: NYLON (SEE CHART)
COLOR: NATURAL
- BULK PACKAGED PER 194390008
- USE WITH LOCKING QD TERMINAL:
20-18 AWG - 194390001 (STRIP), 194390002 (LOOSE)
16-14 AWG - 194390003 (STRIP), 194390004 (LOOSE)
12-10 AWG - 194390005 (STRIP), 194390006 (LOOSE)

THIS DRAWING CONTAINS INFORMATION THAT IS PROPRIETARY TO MOLEX ELECTRONIC TECHNOLOGIES, LLC AND SHOULD NOT BE USED WITHOUT WRITTEN PERMISSION											
FUNCTIONAL SYMBOLS	DIMENSION UNITS	SCALE	CURRENT REV DESC: RELEASE INTO NX.								
	INCH/MM	4:1	<div style="text-align: right; font-weight: bold; font-size: 1.2em;">molex</div> HOUSING, LOCKING QD								
GENERAL TOLERANCES (UNLESS SPECIFIED)											
DIVISIONAL SYMBOLS	4 PLACES	±	MM	±	INCH	EC NO: 746210	2020/10/20	DOCUMENT NUMBER: 194390001 DOC TYPE: PSD DOC PART: 000 REVISION: A			
	3 PLACES	±		±	0.015	DRWN: DMYRICK	2023/04/26				
	2 PLACES	±	0.38	±		CHK'D: JMACNEIL	2023/04/26				
	1 PLACE	±		±		APPR: JMACNEIL					
	0 PLACES	±		±		INITIAL REVISION:					
ANGULAR TOL		±	1.0°	DRAFT WHERE APPLICABLE MUST REMAIN WITHIN DIMENSIONS		THIRD ANGLE PROJECTION	DRAWING	SERIES	MATERIAL NUMBER	CUSTOMER	SHEET NUMBER
							B-SIZE	19439	SEE CHART		1 OF 1