

1 2 3 4 5 6 7 8 9

SPECIFICATIONS

Rated(额定参数): 300V,8A
 Dielectric strength(抗电强度): AC1500V/1 Minute
 Insulation Resistance(绝缘电阻):1000MΩ Min
 Contact Resistance(接触电阻):20mΩ Max
 Screw Torque(扭矩): 0.2Nm (1.7Lb.in)
 Wire Range(线径):28~16AWG
 Strip length(剥线长度):6~7mm
 Temp. range(操作温度): -40℃~+105℃
 MAX Soldering(瞬时温度):+250℃,5s

Housing Material(塑件): PA66 (UL94 V-0)
 Contact(端子): Phosphor Bronze, Tin plating(磷铜镀镍)
 Clamp(方块): Brass(黄铜), Ni plating(镀镍)
 Screw (螺丝): M2.0 Steel, Zinc plating(钢,镀锌)

PITCH RANGE	NOMINAL DIMENSION RANGE					
	IN MM		IN MM		IN MM	
OVER	OVER	OVER	OVER	OVER	OVER	OVER
TO	TO	TO	TO	TO	TO	TO
6	10	30	60	100	150	150
10	24	60	100	150	150	150
±0.10	±0.15	±0.25	±0.30	±0.50	±0.70	±1.00

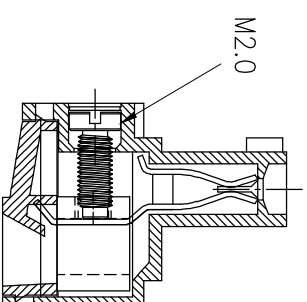
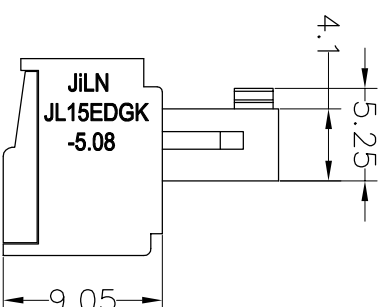
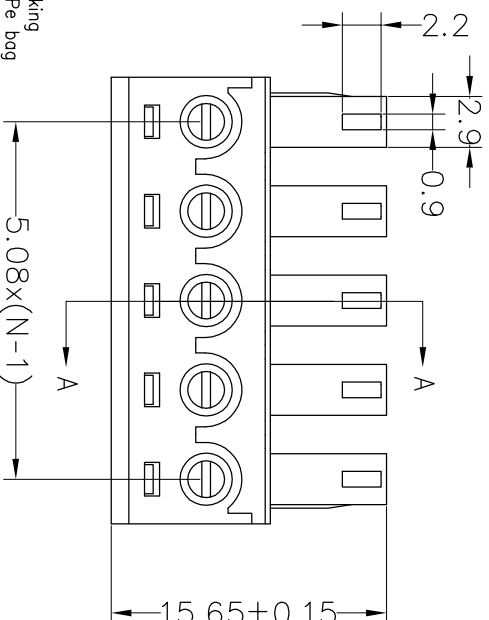
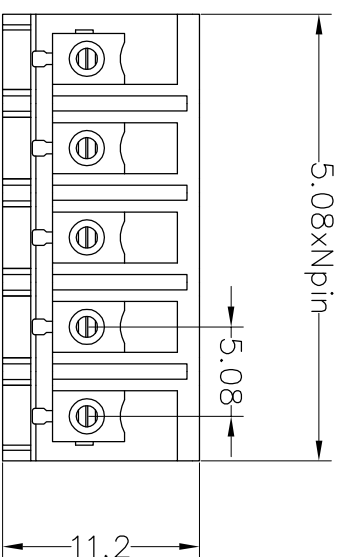
Ordering Information

JL15EDGK - 508 XX G X 1

Pitch
508=5.08PH 2P,3P,4P~16P
 No.of pins

Housing Color
 B=Black
 G=Green
 U=Blue
 R=Red
 W=White
 Y=Yellow
 O=Orange
 E=Grey

Packing
 0=Pe
 bag
 A=Troy



A-A
SECTION

OPERATION	DRAW	yiyusheng	19.06.14	SCALE	FIT	PART NO.	TITLE:
				UNIT	mm		
XX	±0.30	CHECK	APPROVE	PROU.	◆	JL15EDGK-508XXGX1	5.08 Pitch Female Pluggable Terminal Blocks
X:XX	±0.20						
X:XXX	±0.10						
Angle	±3°						
DIM	TOL						
CHANGE							
DATE	MODIFICATION DESCRIPTION						
2019.06.14	NEW DRAWING						
REV							
1							

jiln 深圳市锦凌电子有限公司
 SHENZHEN JINLING ELECTRONIC CO.,LTD
 Tel: 86-755-2997-5806/5802 Fax: 86-755-2997-5992