

ATOM STEPMOTOR Kit

SKU:K047



Description

ATOM STEPMOTOR is a stepper motor driver module suitable for Atom Lite only, with built-in DRV8825 driver chip, which can be used to drive a stepper motor. By adjusting the variable resistance, it can provide a maximum driving current of 1.2A. The chip has its own over-current protection function. A DIP switch on board can adjust the step number flexibly. Built in DC-DC, the external power supply can supply power to ATOM, drive motor needs an external power supply (9-18V).

Product Features

- Adapt to Atom Lite only
- Built in DC-DC
- Up to 1/32 micro-stepper
- Maximum 1.2A drive current
- Working status indicator

Include

- 1x ATOM Lite
- 1x Atom Step Motor
- 1x Type-C Cable(20cm)
- 1x M2*8 Screw
- 1x Hex key

Applications

- Stepper motor controller

Specification

| Resources | Parameter |
|-----------------------|-----------------|
| Micro-Stepping Levels | 1/32 Step |
| Output current | Full-scale 1.2A |
| Supply voltage | 9-18V |
| External port | KF128L 2.54 6P |
| Net weight | 17g |
| Gross weight | 53g |
| Product size | 48*24*18mm |
| Package size | 55*55*20mm |
| Case material | Plastic (PC) |

EasyLoader

EasyLoader is a concise and fast program writer, which has a built-in case program related to the product. It can be burned to the main control by simple steps to perform a series of function verification.

[Download Windows Version Easyloader](#)

[Download MacOS Version Easyloader](#)



Description:

Related Link

- Datasheet
 - [DRV8825](#)

Pin Map

| ATOM Pin | G25 | G21 | G22 | G19 | G23 |
|------------------|-----|-----|-----|-----|-----|
| ATOMIC StepMotor | FLT | RST | EN | STP | DIR |

Micro-stepping Setting

DIP Switch

1

2

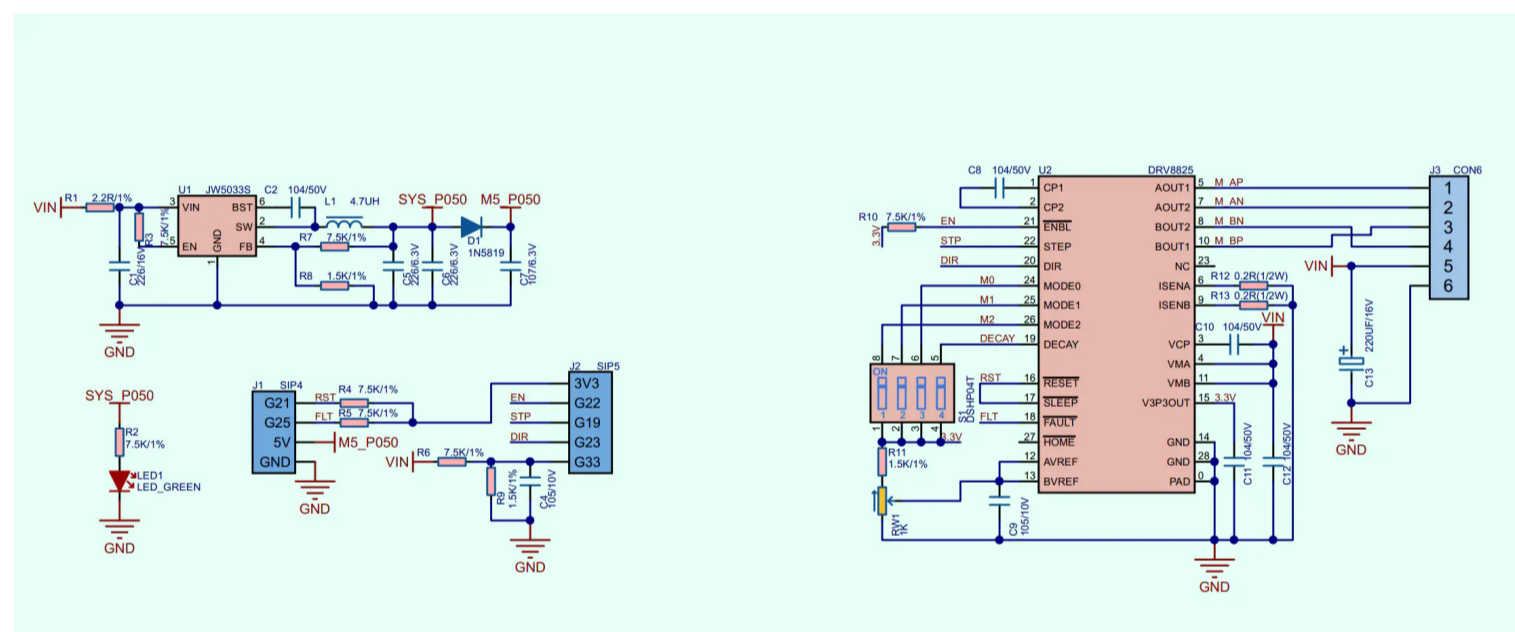
3

| | | | |
|-----------|-------|------|------|
| Full-step | Low | Low | Low |
| Half-step | High | LoW | LoW |
| 1/4 step | Low | High | Low |
| 1/8 step | High | High | Low |
| 1/16 step | Low | Low | High |
| 1/32 step | Hight | Low | High |
| 1/32 step | Low | High | High |
| 1/32 step | High | High | High |

Decay mode

| | |
|------------|------|
| DIP Switch | 4 |
| Slow Decay | Low |
| Fast Decay | High |

Schematic



Example

Arduino

- [Click here to get Arduino example](#)

UIFlow

- [Clicke here to get UIFlow example](#)



