

# FL RUGGED BOX - Control box



2701204

<https://www.phoenixcontact.com/us/products/2701204>

Please be informed that the data shown in this PDF document is generated from our online catalog. Please find the complete data in the user documentation. Our general terms of use for downloads are valid.



Control box for robust construction of wireless systems for industrial applications, IP66, 25 x 18 x 13 cm, polycarbonate material, gray, drilled, incl. DIN rail, plugs, and screw connections, without devices

## Commercial data

Item number	2701204
Packing unit	1 pc
Minimum order quantity	1 pc
Sales key	DN23
Product key	DNN2WZ
Catalog page	Page 394 (C-6-2019)
GTIN	4046356724128
Weight per piece (including packing)	1,624.6 g
Weight per piece (excluding packing)	1,400 g
Customs tariff number	85389099
Country of origin	DE

# FL RUGGED BOX - Control box



2701204

<https://www.phoenixcontact.com/us/products/2701204>

## Technical data

### Notes

#### Note on application

Note on application	Only for industrial use
---------------------	-------------------------

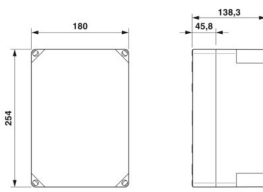
### Product properties

Product type	Control box
--------------	-------------

#### Data management status

Article revision	00
------------------	----

### Dimensions

Dimensional drawing	
Width	174 mm
Height	254 mm
Depth	137 mm

### Material specifications

Housing material	Polycarbonate
------------------	---------------

### Environmental and real-life conditions

#### Ambient conditions

Degree of protection	IP66
----------------------	------

# FL RUGGED BOX - Control box

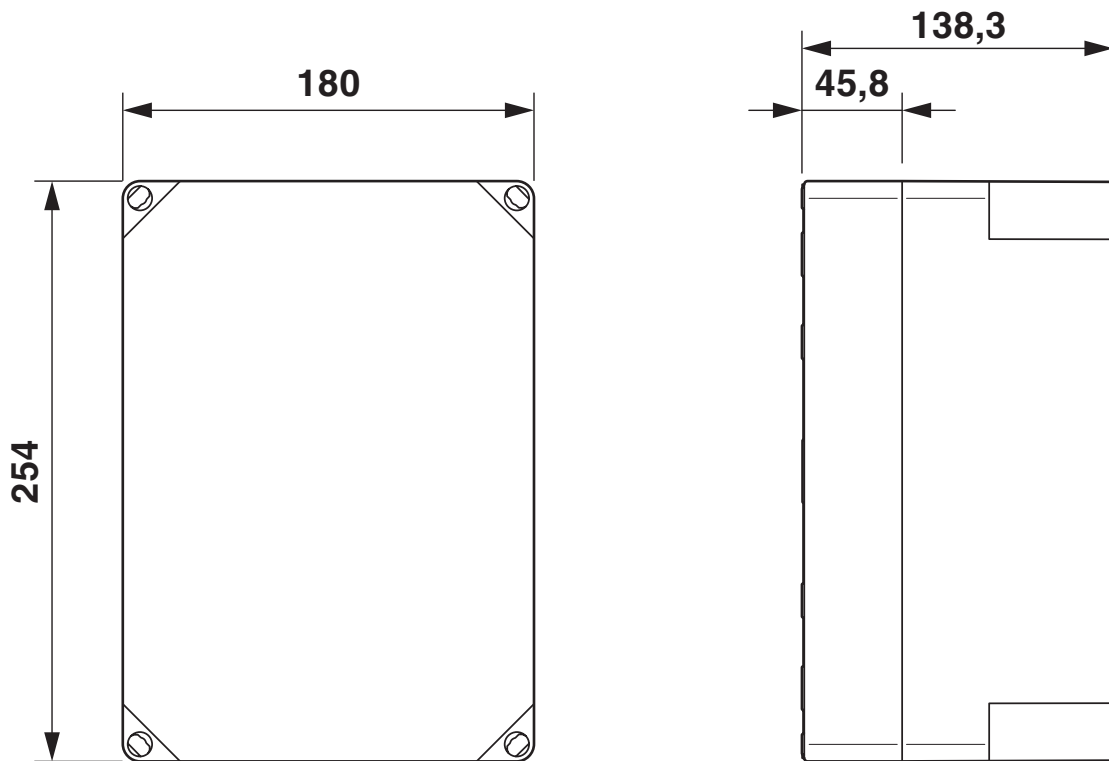


2701204

<https://www.phoenixcontact.com/us/products/2701204>

## Drawings

Dimensional drawing



# FL RUGGED BOX - Control box



2701204

<https://www.phoenixcontact.com/us/products/2701204>

## Classifications

### ECLASS

ECLASS-12.0	27180590
ECLASS-11.0	27180590
ECLASS-13.0	27180590

### ETIM

ETIM 9.0	EC000261
----------	----------

### UNSPSC

UNSPSC 21.0	31261500
-------------	----------

# FL RUGGED BOX - Control box



2701204

<https://www.phoenixcontact.com/us/products/2701204>

## Environmental product compliance

### EU RoHS

Fulfills EU RoHS substance requirements	Not applicable, No electrical and electronic equipment (EEE), cannot be used in EEE
---	---

### EU REACH SVHC

REACH candidate substance (CAS No.)	No substance above 0.1 wt%
-------------------------------------	----------------------------

Phoenix Contact 2024 © - all rights reserved

<https://www.phoenixcontact.com>

Phoenix Contact USA  
586 Fulling Mill Road  
Middletown, PA 17057, United States  
(+717) 944-1300  
[info@phoenixcon.com](mailto:info@phoenixcon.com)