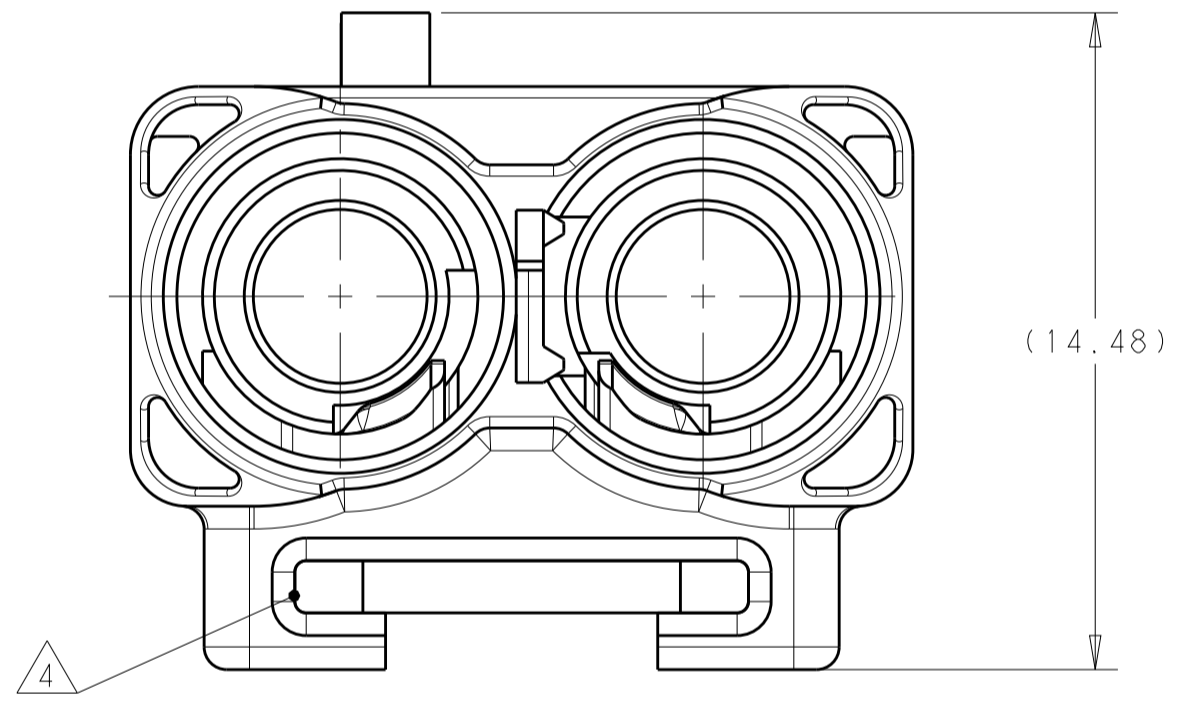
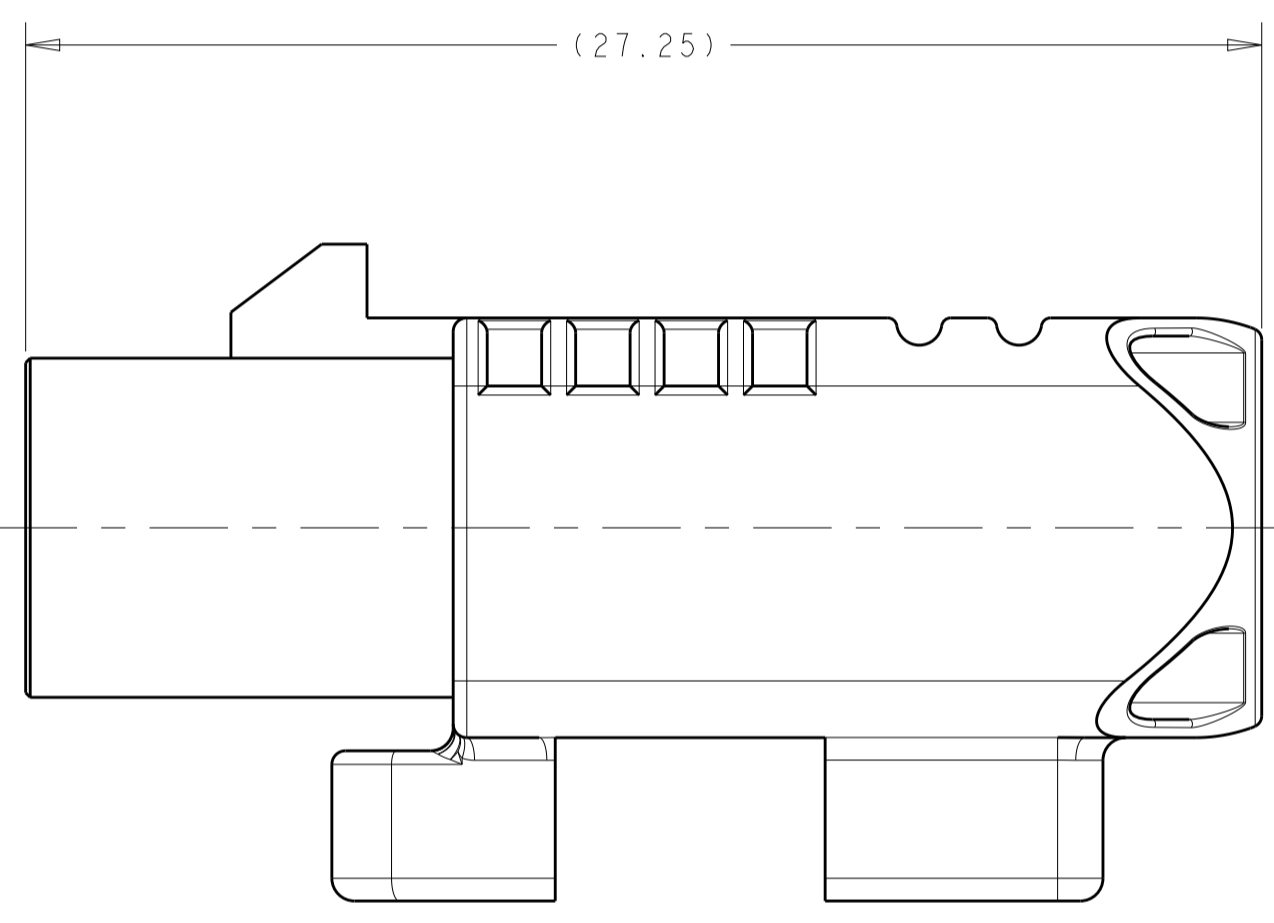
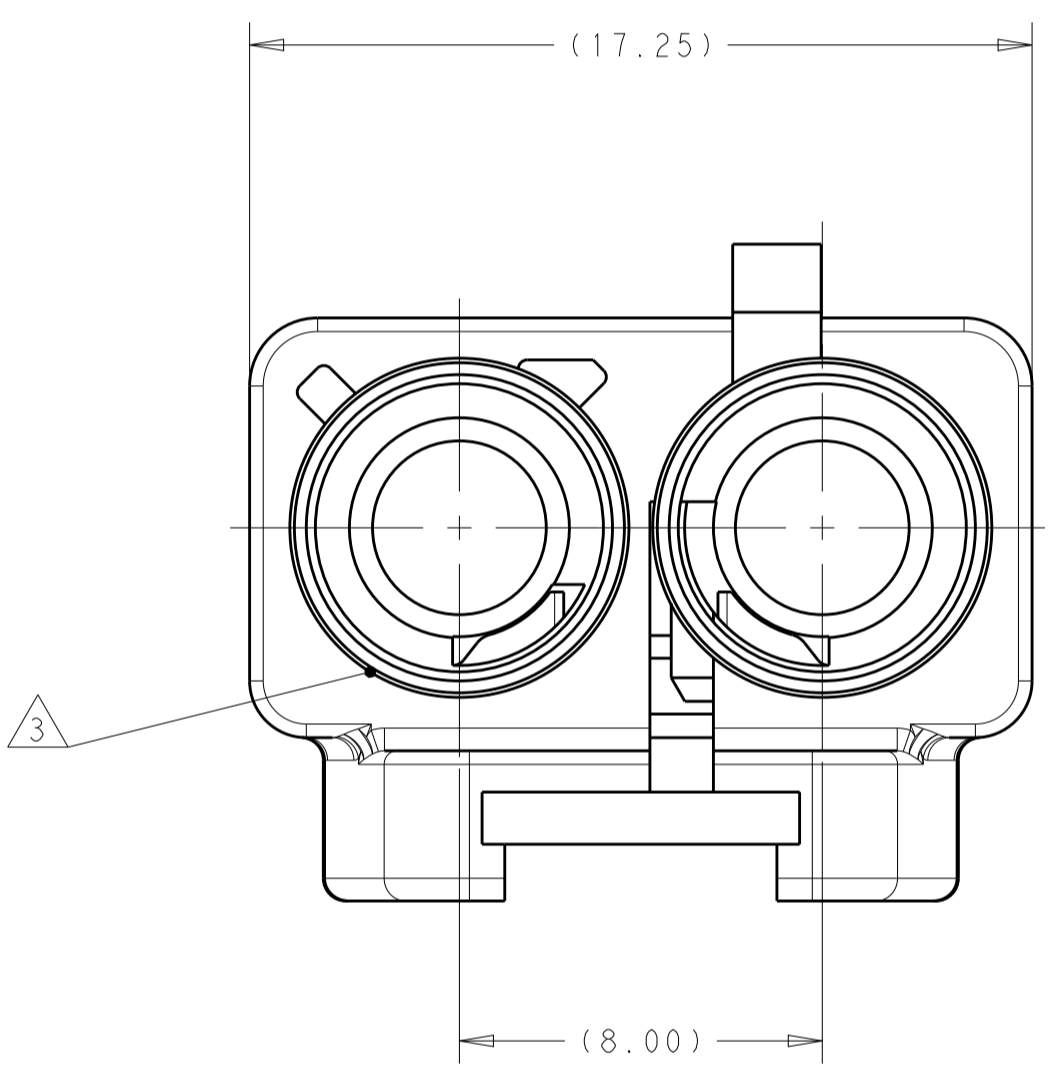
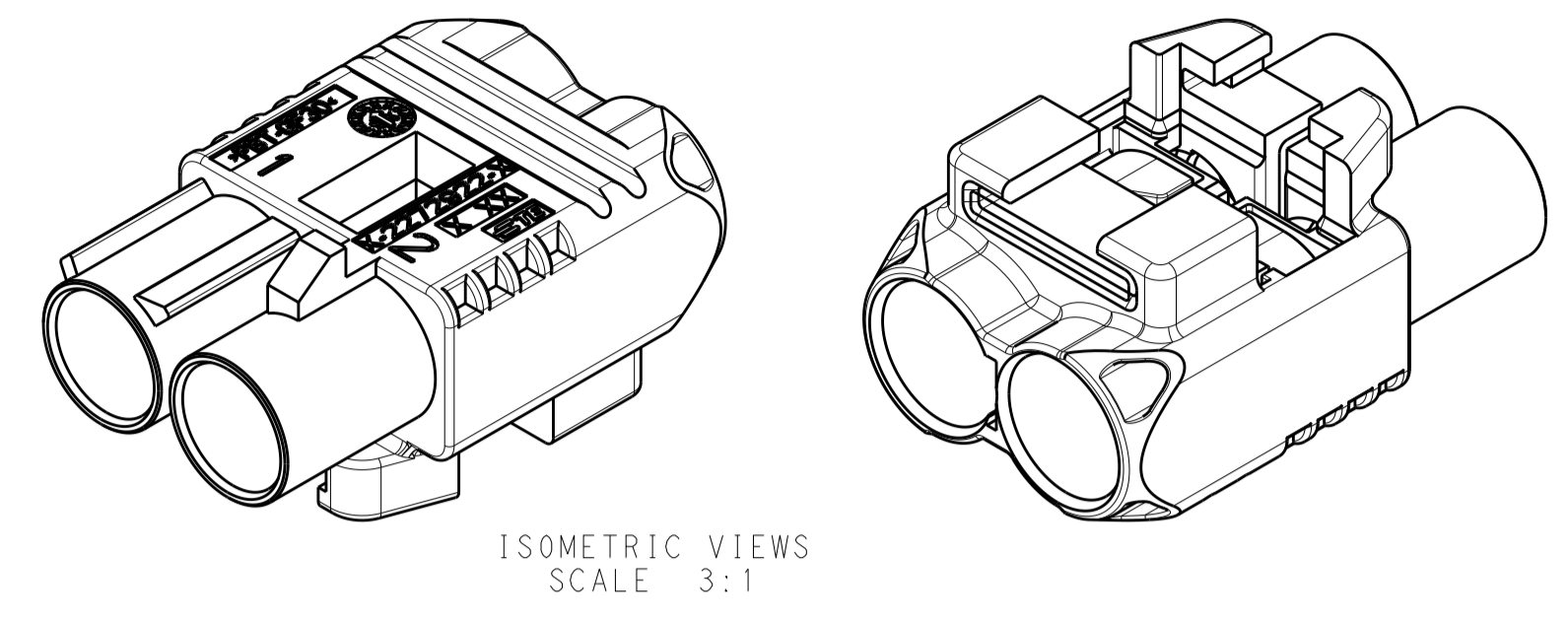
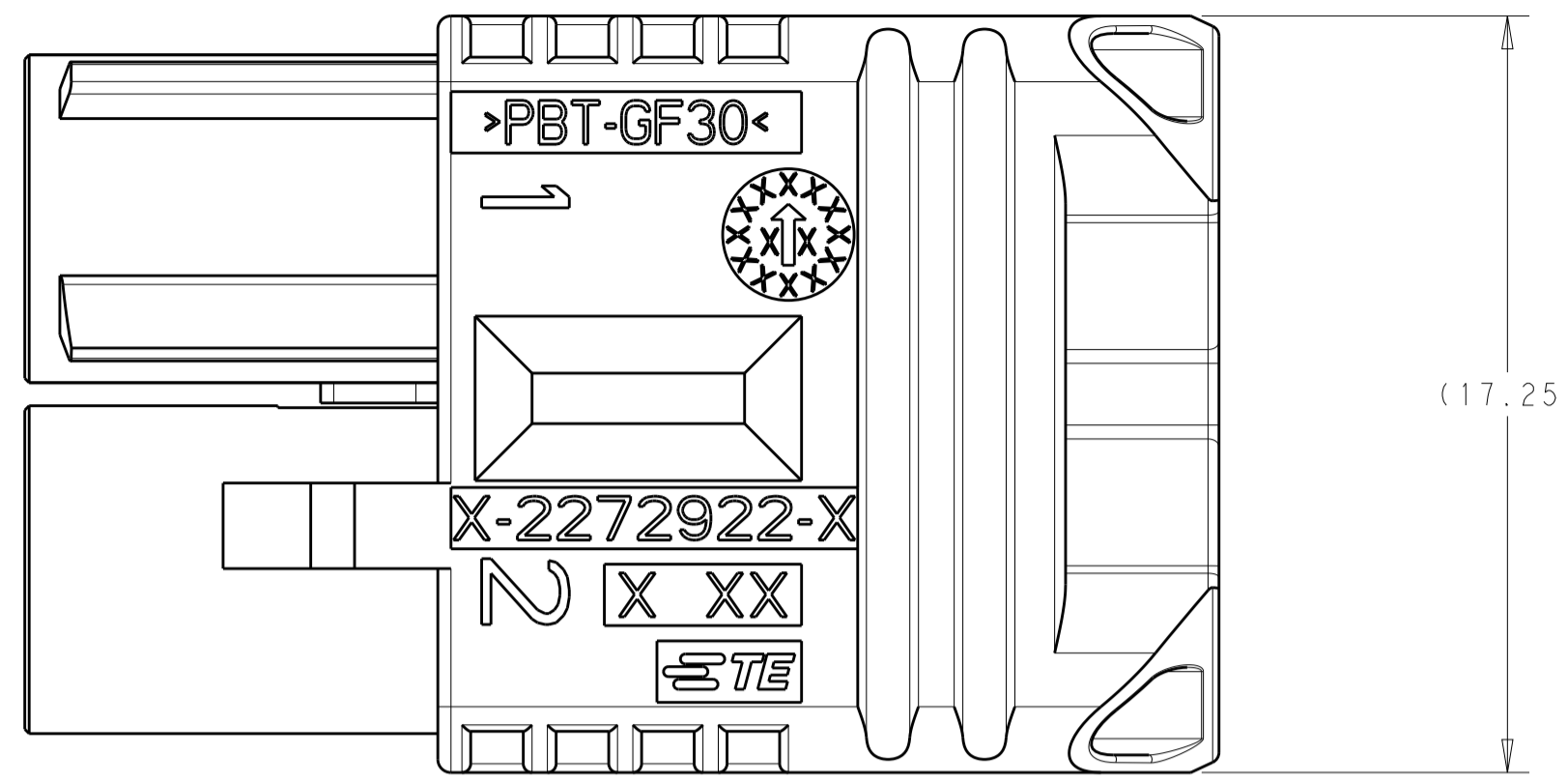


REVISIONS				
P.	LTN.	DESCRIPTION	DATE	APVD.
1		INITIAL DRAWING.	26APR2017	JAB ERL

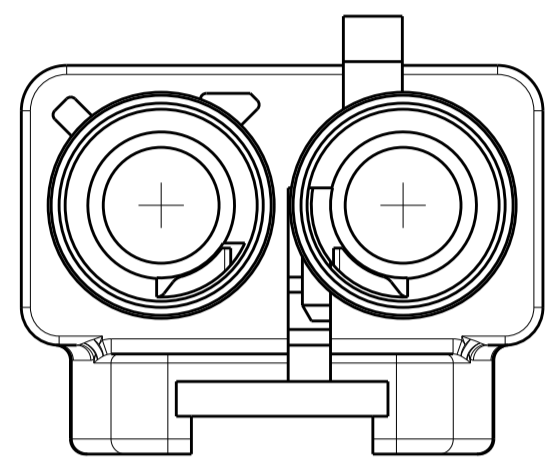


Z	PER DETAIL Z	WATER BLUE	2-2272922-0
N	PER DETAIL N	PASTEL GREEN	1-2272922-3
M	PER DETAIL M	PASTEL ORANGE	1-2272922-2
L	PER DETAIL L	CARMINE RED	1-2272922-1
K	PER DETAIL K	CURRY	1-2272922-0
I	PER DETAIL I	BEIGE	2272922-9
H	PER DETAIL H	HEATHER VIOLET	2272922-8
G	PER DETAIL G	BLUE GREY	2272922-7
F	PER DETAIL F	NUT BROWN	2272922-6
E	PER DETAIL E	LEAF GREEN	2272922-5
D	PER DETAIL D	CLARET VIOLET	2272922-4
C	PER DETAIL C	SIGNAL BLUE	2272922-3
B	PER DETAIL B	CREAM	2272922-2
A	PER DETAIL A	JET BLACK	2272922-1
KEY CODE	KEYING	CODING COLOR	PART NUMBER

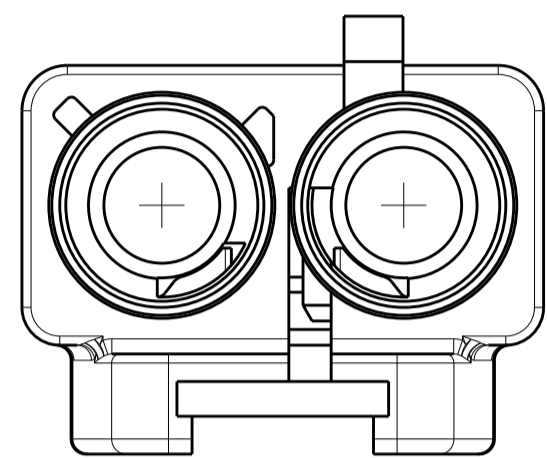
- 1. 2272922-1 AS SHOWN.
- 2 MATERIAL, POLYESTER PBT, COLOR SEE TABLE.
- 3 MALE INTERFACE PER ISO-20860-1, ISO-20860-2, SAE/USCAR-17, SAE/USCAR-18
- 4 HONDA CLIP SLOT

THIS DRAWING IS A CONTROLLED DOCUMENT.		DWN: J.A.BAKER 26APR2017 CHK: E.R.LOVE 28JUL2017 APVD: E.R.LOVE 28JUL2017	TE Connectivity
DIMENSIONS: mm 	TOLERANCES UNLESS OTHERWISE SPECIFIED: 0 PLC ± 1 PLC ± 2 PLC ± 3 PLC ± 4 PLC ± ANGLES ±1° FINISH	NAME: MALE HOUSING, HONDA CLIP SLOT, 2 POSITION, 8.0mm CENTERLINE, 180 DEGREE, FAKRA PRODUCT SPEC: 108-32137 APPLICATION SPEC: 114-32145 SIZE: A1 CAGE CODE: - DRAWING NO: C=2272922 WEIGHT: - RESTRICTED TO: -	
MATERIAL: 2		CUSTOMER DRAWING	SCALE: 6:1 SHEET: 1 OF 2 REV: A

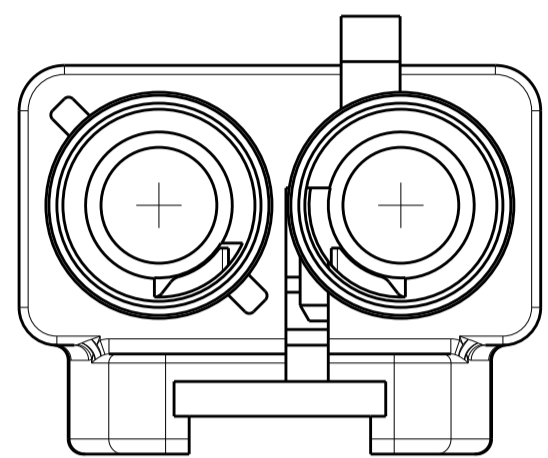
REVISIONS				
P.	LTN	DESCRIPTION	DATE	APVD
-	-	SEE SHEET 1	-	-



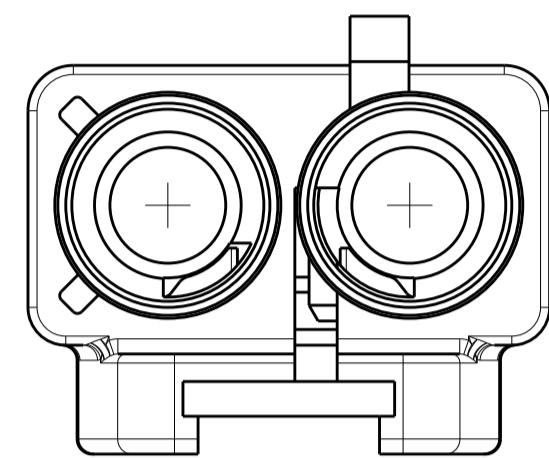
DETAIL A
SCALE 4:1



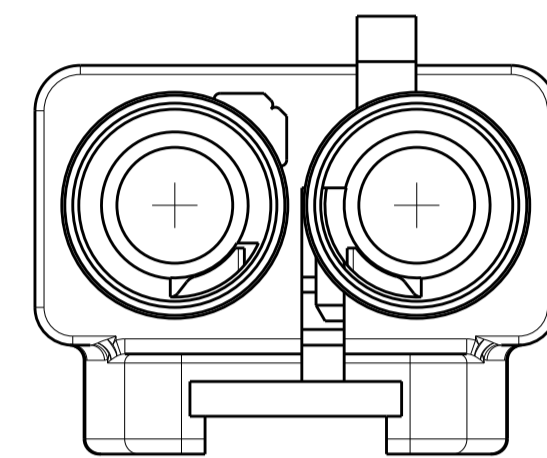
DETAIL B
SCALE 4:1



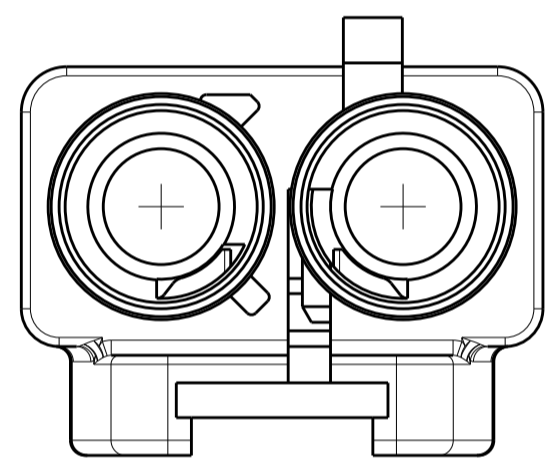
DETAIL C
SCALE 4:1



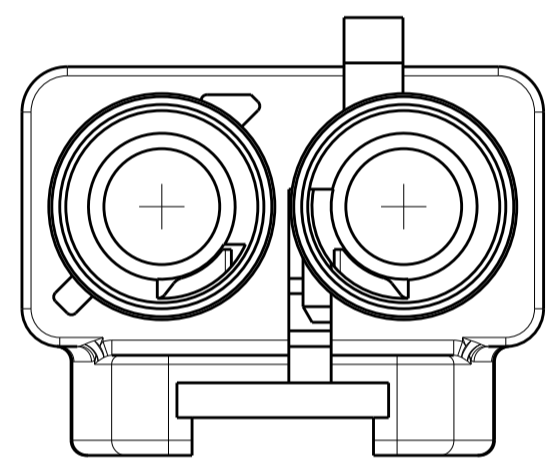
DETAIL D
SCALE 4:1



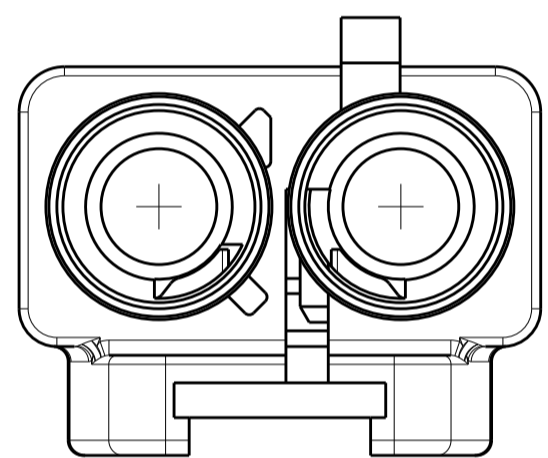
DETAIL E
SCALE 4:1



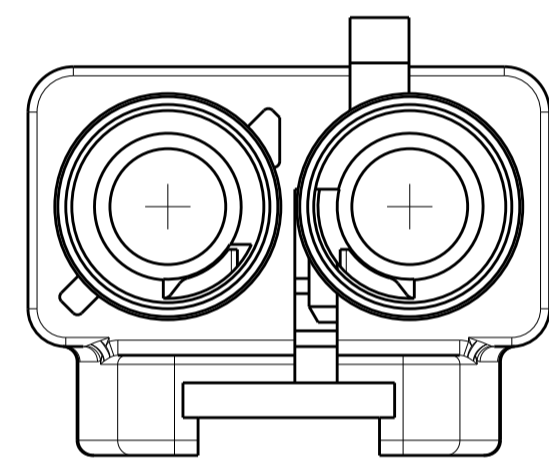
DETAIL F
SCALE 4:1



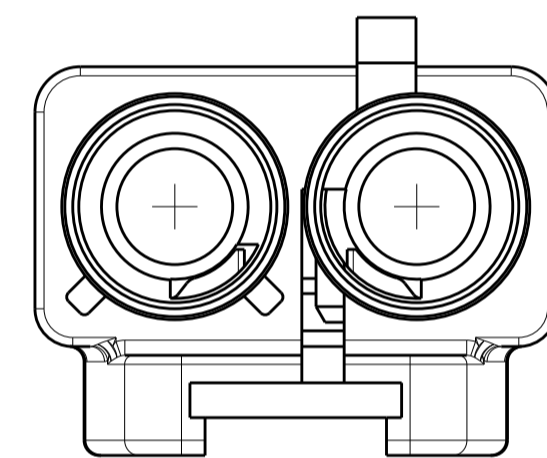
DETAIL G
SCALE 4:1



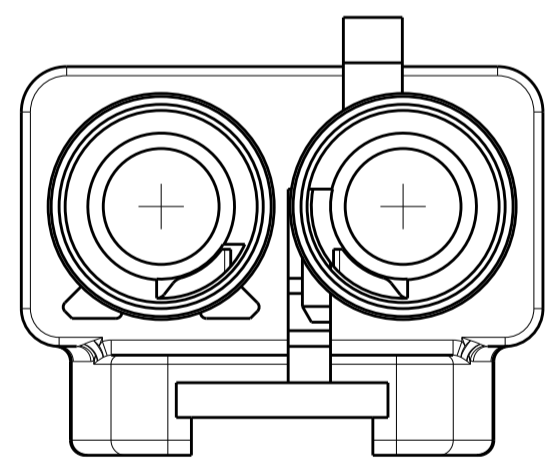
DETAIL H
SCALE 4:1



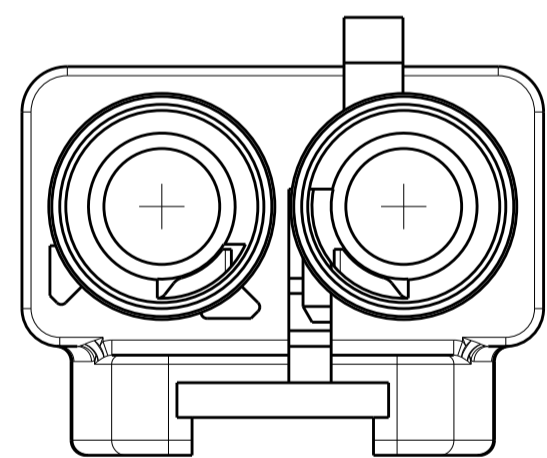
DETAIL I
SCALE 4:1



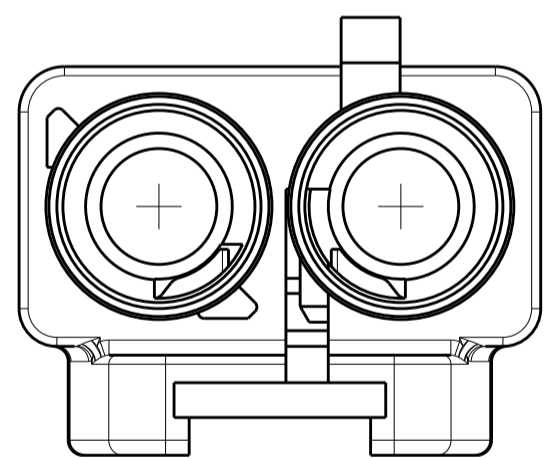
DETAIL K
SCALE 4:1



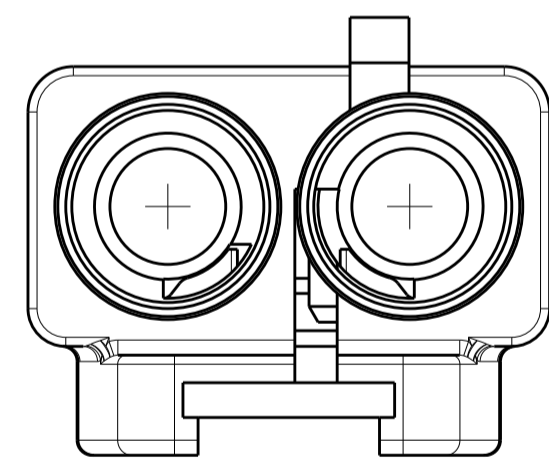
DETAIL L
SCALE 4:1



DETAIL M
SCALE 4:1



DETAIL N
SCALE 4:1



DETAIL Z
SCALE 4:1

THIS DRAWING IS A CONTROLLED DOCUMENT.		DWN: J.A. BAKER 26APR2017 CHK: E.R. LOVE 28JUL2017 APVD: E.R. LOVE 28JUL2017	
DIMENSIONS: mm 	TOLERANCES UNLESS OTHERWISE SPECIFIED: 0 PLC ± 1 PLC ± 2 PLC ± 3 PLC ± 4 PLC ± ANGLES ±1° FINISH	NAME: MALE HOUSING, HONDA CLIP SLOT, 2 POSITION, 8.0mm CENTERLINE, 180 DEGREE, FAKRA PRODUCT SPEC: 108-32137 APPLICATION SPEC: 114-32145 WEIGHT: - CUSTOMER DRAWING	