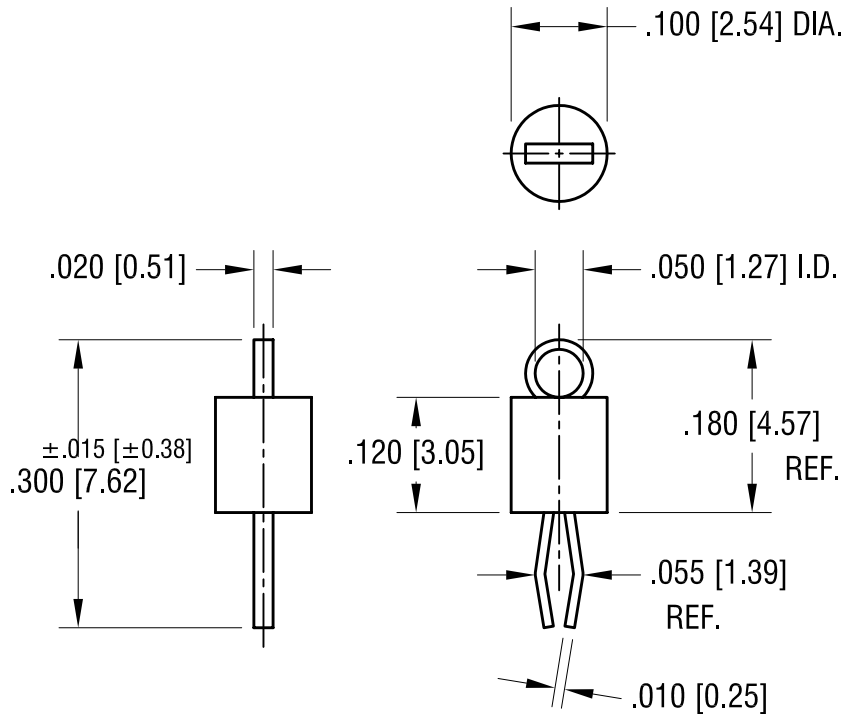


THIS DOCUMENT IS THE PROPERTY OF
KEYSTONE ELECTRONICS CORP. AND
SHALL NOT BE REPRODUCED, DISTRIBUTED
OR USED AS A BASIS FOR MANUFACTURE
WITHOUT PRIOR WRITTEN PERMISSION
FROM KEYSTONE ELECTRONICS CORP.



PART NO.	BASE COLOR
9-5000-TL	RED
9-5001-TL	BLACK
9-5002-TL	WHITE
9-5003-TL	ORANGE
9-5004-TL	YELLOW

NOTES:

1. TERMINAL:
MAT'L - PHOSPHOR BRONZE WIRE
- BASE:
MAT'L - PBT, UL 94V-0

KEYSTONE ELECTRONICS CORP.			
ASTORIA, N.Y. 11105-2017			
PART NAME PC TEST POINT - MINIATURE			
MATERIAL AS NOTED			
FINISH TIN-LEAD PLATE		DRN BY HAMILTON	DATE 9AUG08
		APP'D LN	SCALE 5X
TOLERANCES	INCH [MM]	CODE	DWG NO.
DECIMAL	$\pm .005 [\pm 0.15]$	C/M	9-5000-5004-TL
ANGULAR	$\pm 1^\circ$		
UNLESS OTHERWISE SPECIFIED			

DATE	DESCRIPTION	REV.