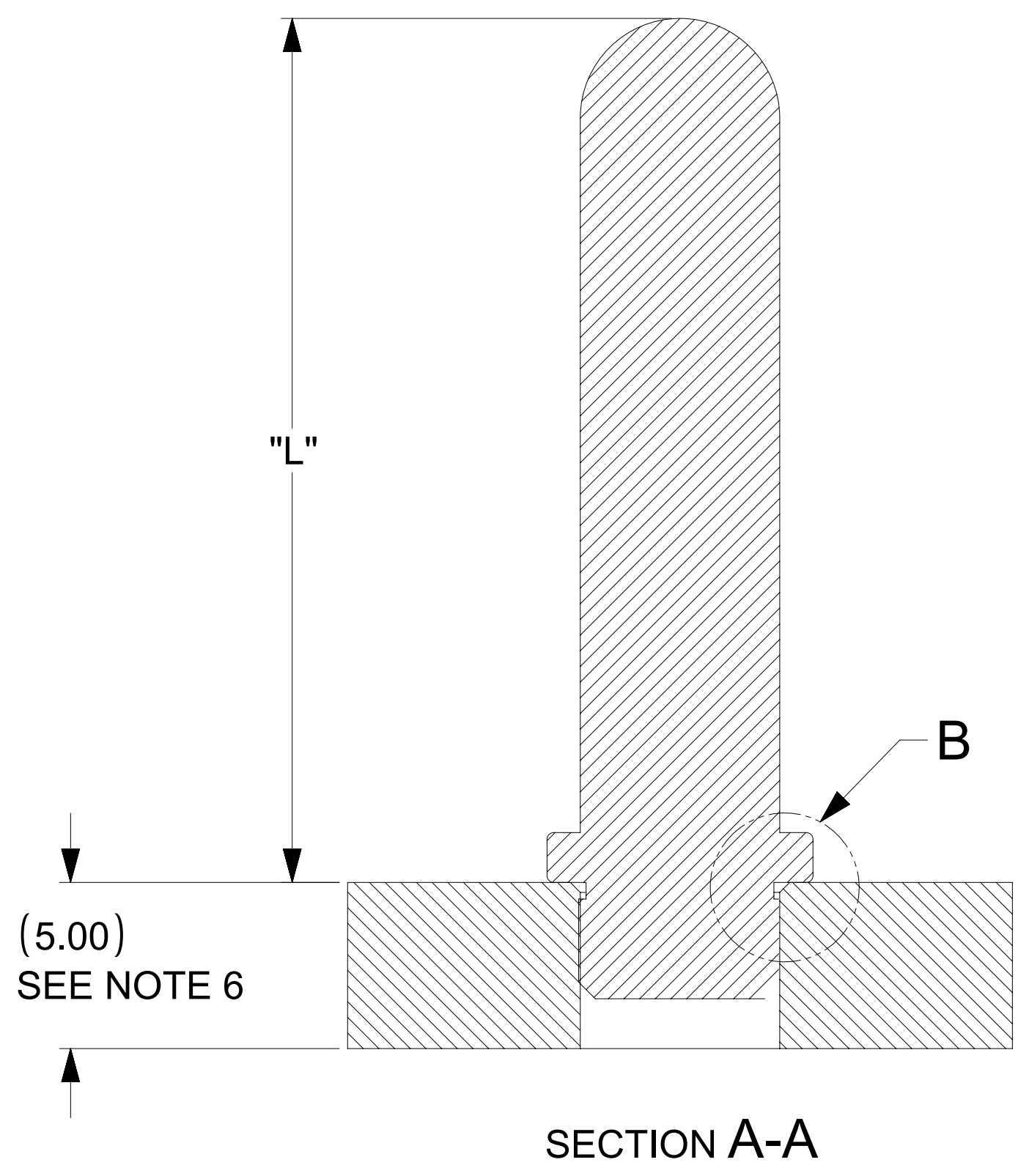
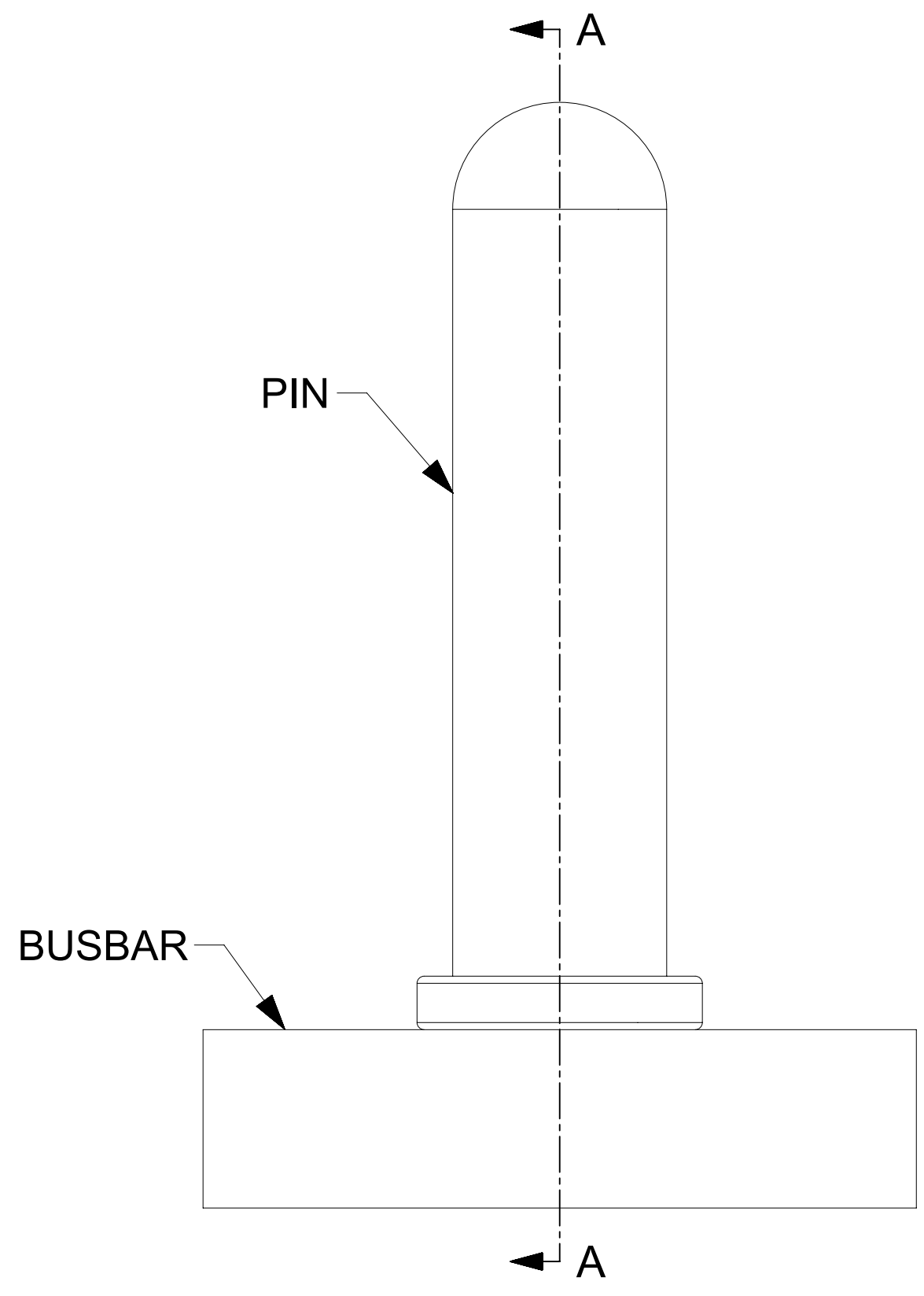


NOTES :

1. MATERIAL:
 - BASE METAL: HIGH CONDUCTIVE COPPER ALLOY
 - PLATING ON BODY: 3.18 MICRON MIN SILVER OVER 1.27 MICRON MIN NICKEL
2. PRODUCT SPECIFICATION: 2043130006-PS
3. APPLICATION SPECIFICATION: 2043130006-AS
4. PACKAGING SPECIFICATION: 2032630006-PK
5. SILVER COMPONENTS WILL BE SUPPLIED TARNISH FREE BUT MAY TARNISH OVER TIME.
6. MINIMUM RECOMMENDED BUSBAR THICKNESS IS 1.5MM

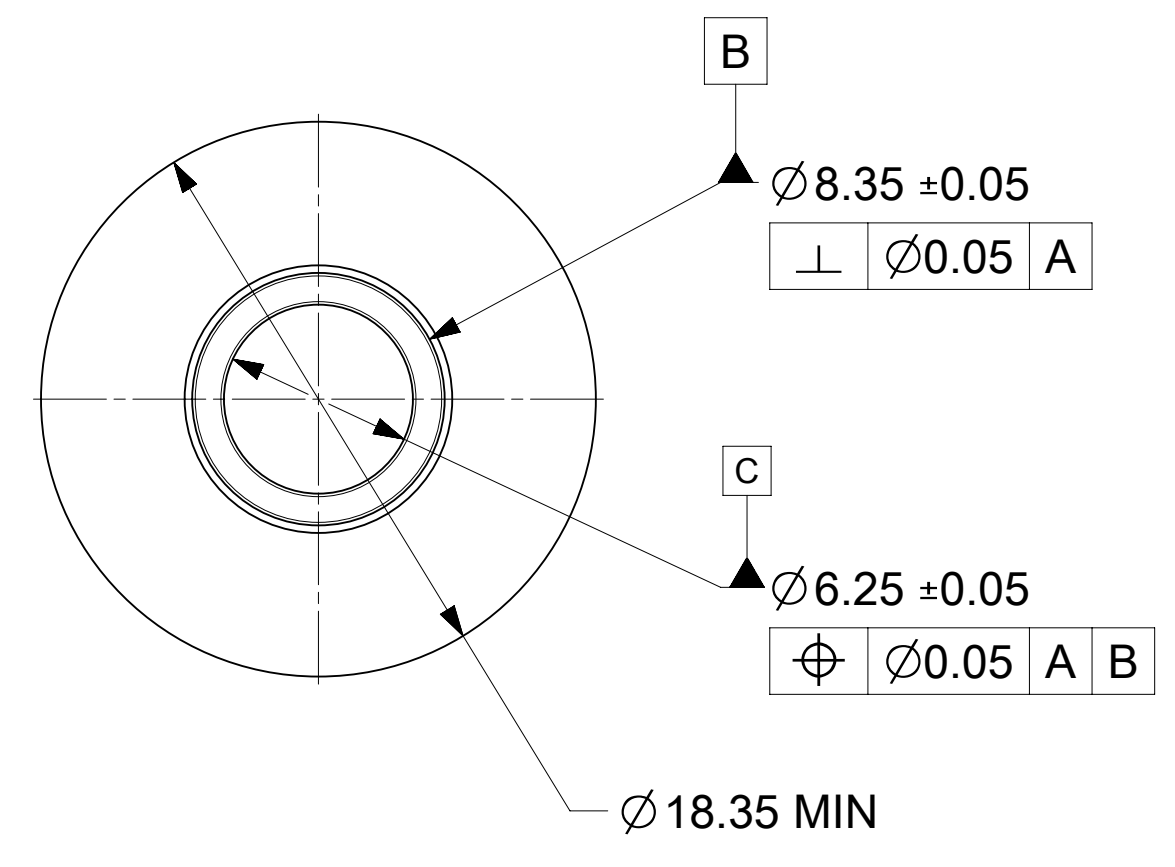
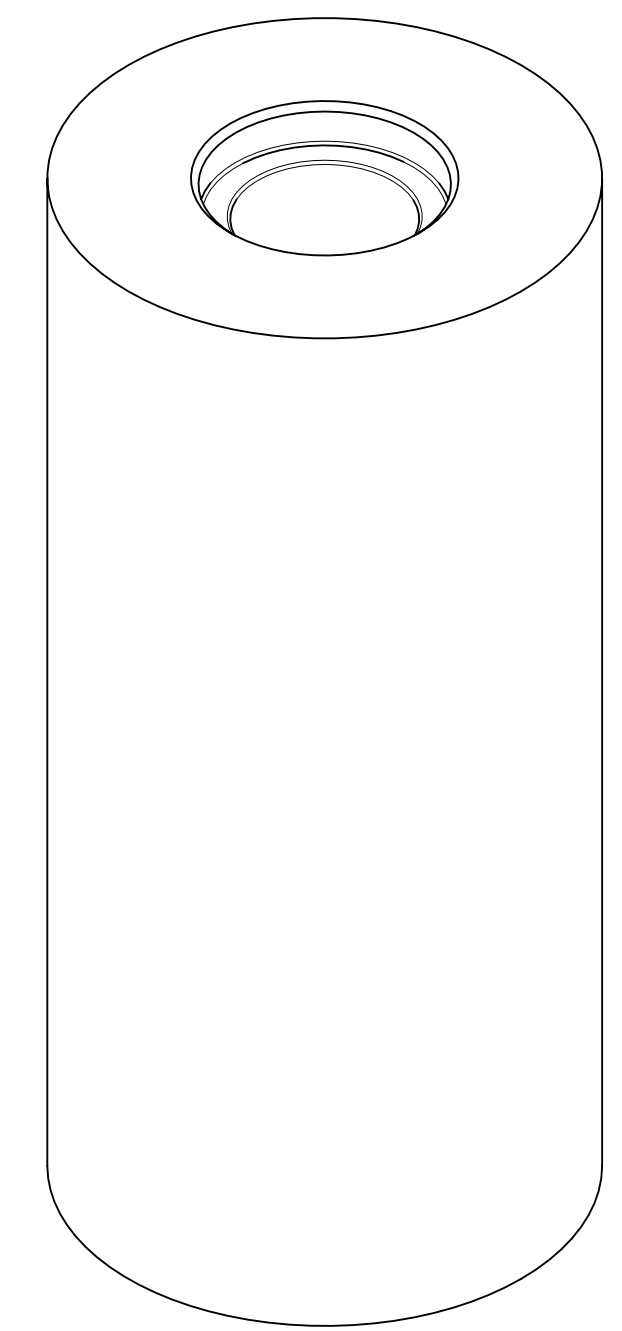
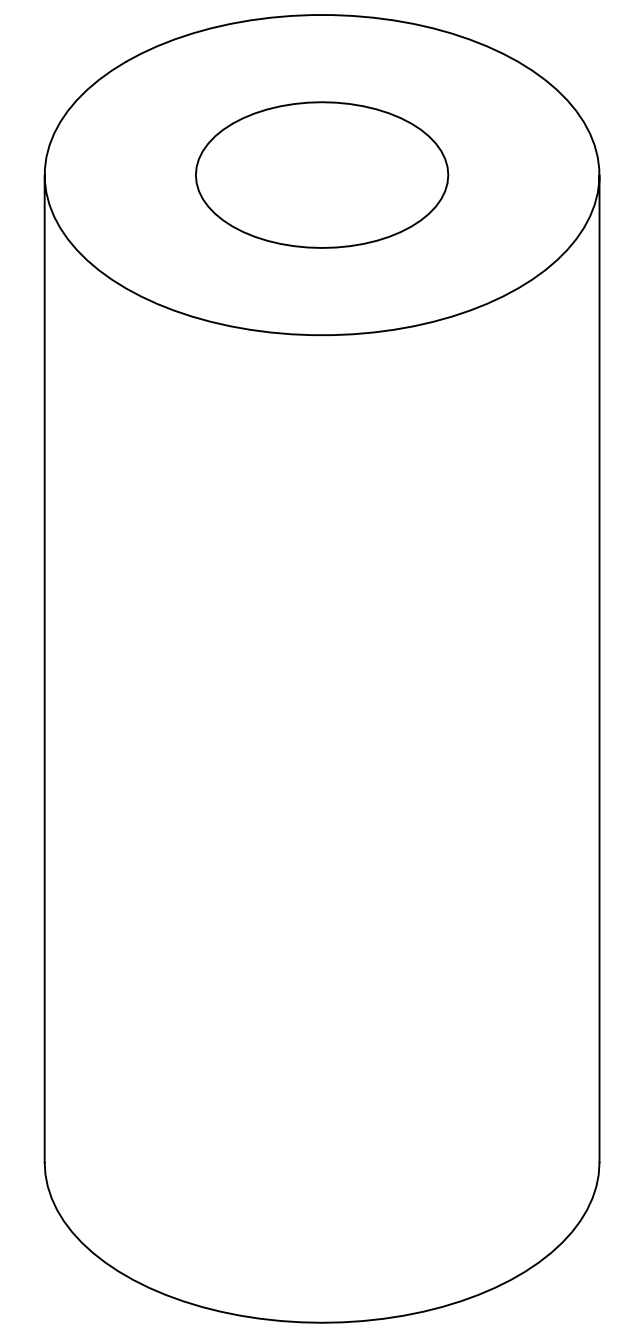
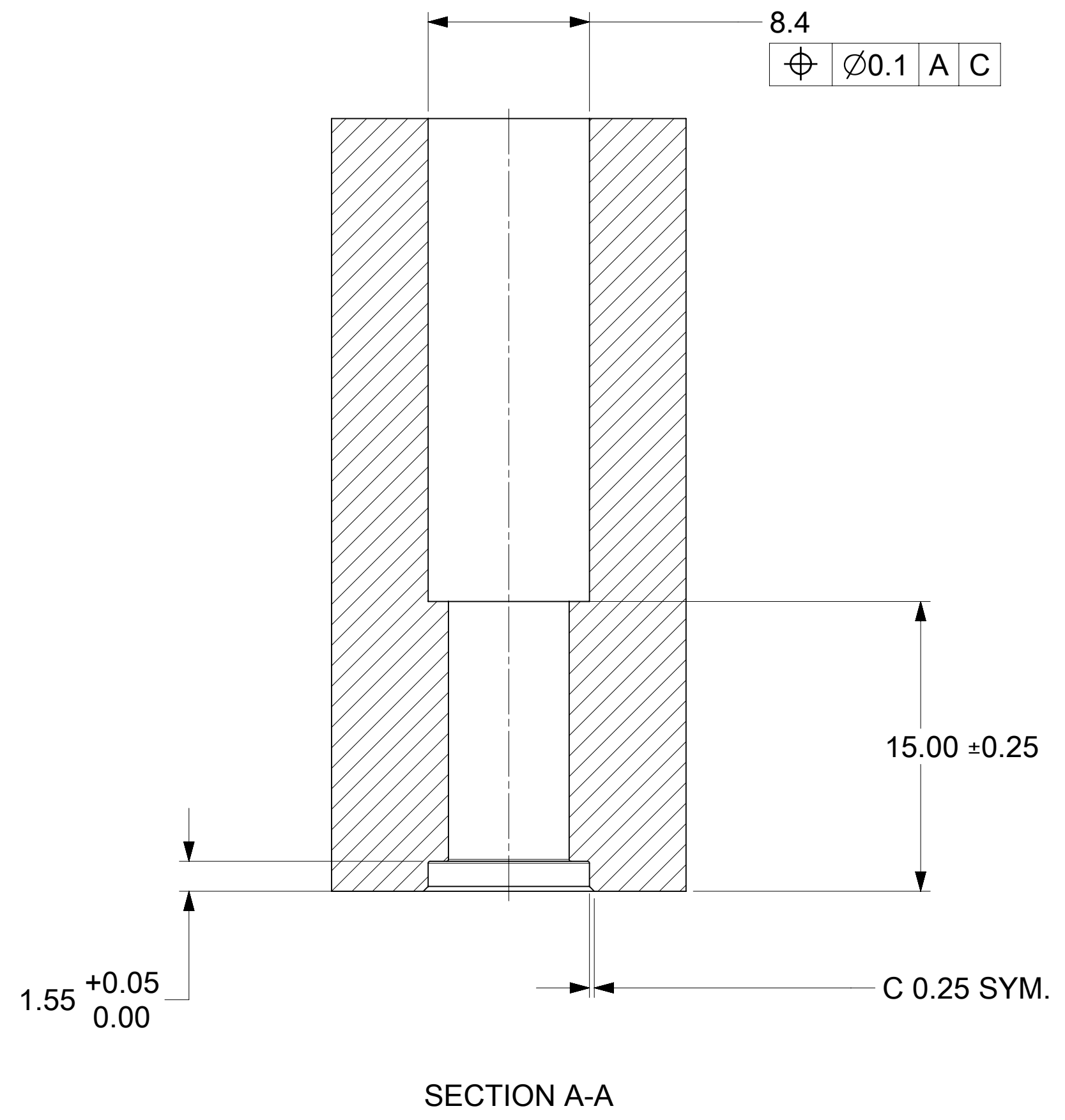
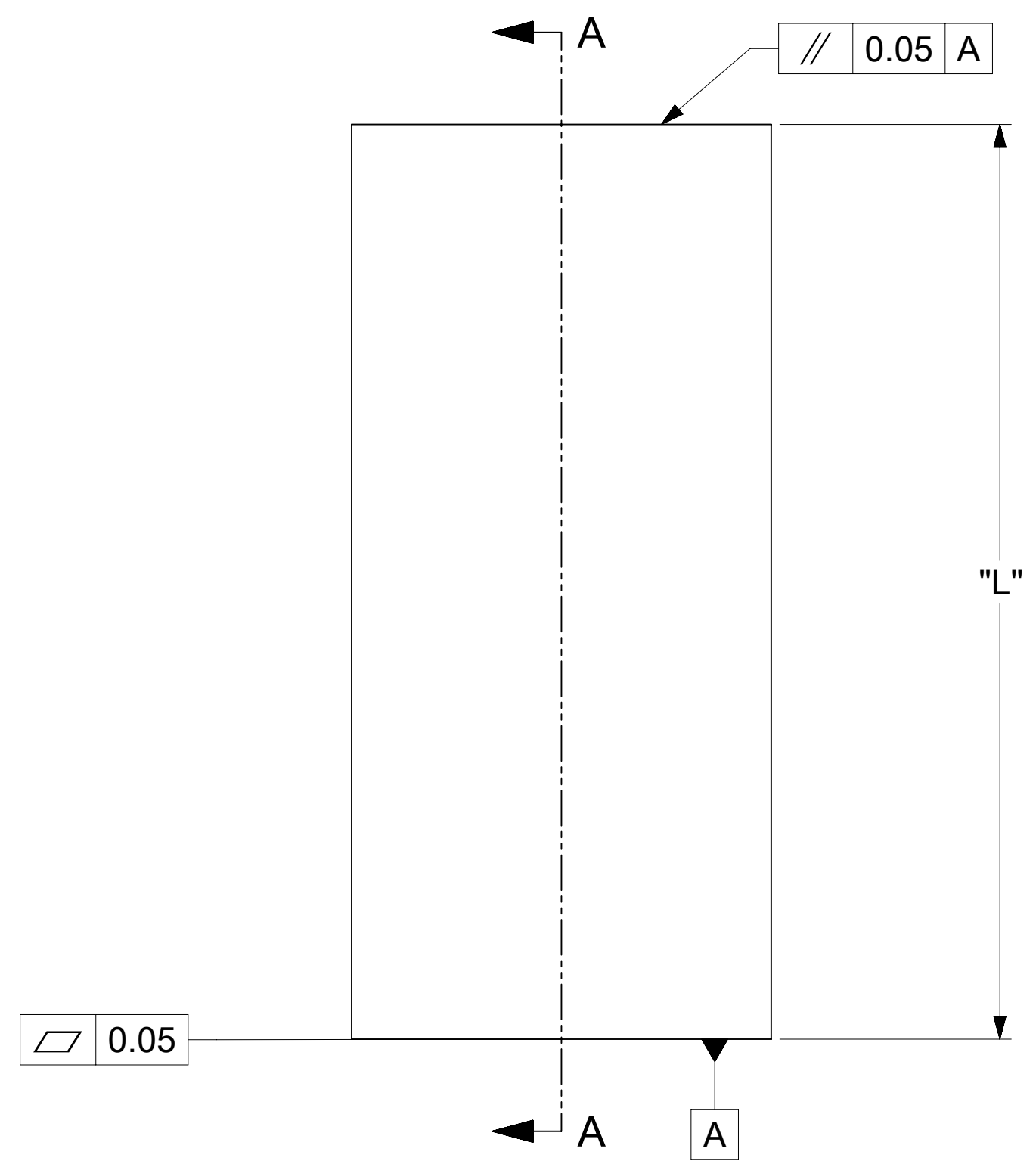
PART NUMBER	DIMENSION "L"
203263-0006	26.00
203263-0016	20.00
203263-0026	14.00
203263-0036	36.00
203263-0046	17.95
203263-0056	16.00
203263-0066	48.00
203263-0076	12.00



THIS DRAWING CONTAINS INFORMATION THAT IS PROPRIETARY TO MOLEX ELECTRONIC TECHNOLOGIES, LLC AND SHOULD NOT BE USED WITHOUT WRITTEN PERMISSION											
DIMENSION UNITS		SCALE		CURRENT REV DESC: ADDED P/N 203263-0076							
mm		10:1									
GENERAL TOLERANCES (UNLESS SPECIFIED)											
ANGULAR TOL ± 0.5°											
4 PLACES ±		EC NO: 785086									
3 PLACES ±		DRWN: AKASHM6		2024/05/02							
2 PLACES ± 0.15		CHK'D: SACHIK7		2024/05/03							
1 PLACE ± 0.25		APPR: HTHYAGARAJ		2024/05/08							
0 PLACES ±		INITIAL REVISION:									
		DRWN: FCSSO		2018/10/01							
		APPR: BPISZCZOR		2019/06/10							
DRAFT WHERE APPLICABLE MUST REMAIN WITHIN DIMENSIONS				THIRD ANGLE PROJECTION		DRAWING		SERIES		MATERIAL NUMBER	
				D-SIZE		203263		SEE TABLE		CUSTOMER	
								GENERAL MARKET		SHEET NUMBER	
										1 OF 1	

DOCUMENT STATUS	P1	RELEASE DATE	2024/05/08	08:48:10
-----------------	----	--------------	------------	----------

PIN LENGTH RANGE IN MM	DIMENSION "L"
UPTO 20	25.0
20-30	35.0
30-40	45.0
40-50	55.0



- NOTES:
 1. MATERIAL: STAINLESS STEEL
 2. BREAK ALL SHARP CORNERS AND EDGES

THIS DRAWING CONTAINS INFORMATION THAT IS PROPRIETARY TO MOLEX ELECTRONIC TECHNOLOGIES, LLC AND SHOULD NOT BE USED WITHOUT WRITTEN PERMISSION											
DIMENSION UNITS mm		SCALE 4:1		CURRENT REV DESC: INITIAL RELEASE						molex	
GENERAL TOLERANCES (UNLESS SPECIFIED)				EC NO: 771891							
ANGULAR TOL ± 0.5°				4 PLACES ±		DRWN: SOURAJ		2022/04/11		CENTRALITY APPLICATION TOOLING FOR 6.0MM PIN	
3 PLACES ±				3 PLACES ±		CHK'D: SCS02		2023/12/15			
2 PLACES ± 0.05				2 PLACES ±		APPR: KPRASAD		2023/12/19		PRODUCT CUSTOMER DRAWING	
1 PLACE ± 0.1				1 PLACE ±		INITIAL REVISION:		DOCUMENT NUMBER		DOC TYPE DOC PART REVISION	
0 PLACES ±				0 PLACES ±		DRWN: SOURAJ		2022/04/11		2192590006-SD	
DRAFT WHERE APPLICABLE MUST REMAIN WITHIN DIMENSIONS				THIRD ANGLE PROJECTION		APPR: KPRASAD		2023/12/19		PSD 000 A	
DRAWING		SERIES		MATERIAL NUMBER		CUSTOMER		SHEET NUMBER			
D-SIZE		219259		2192590006		GENERAL MARKET		1 OF 1			