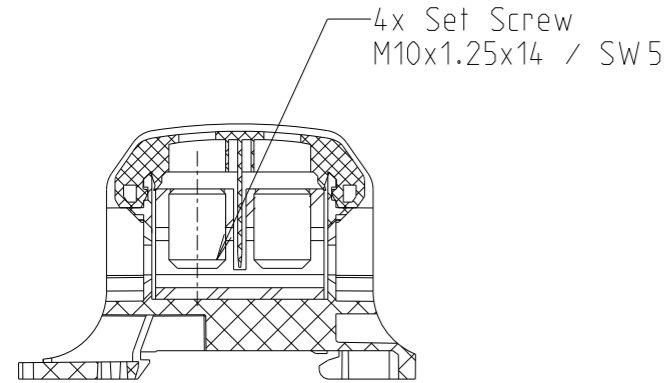
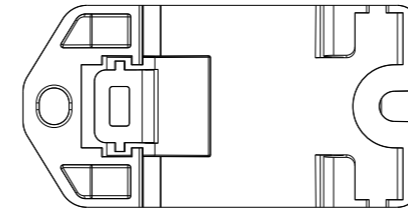
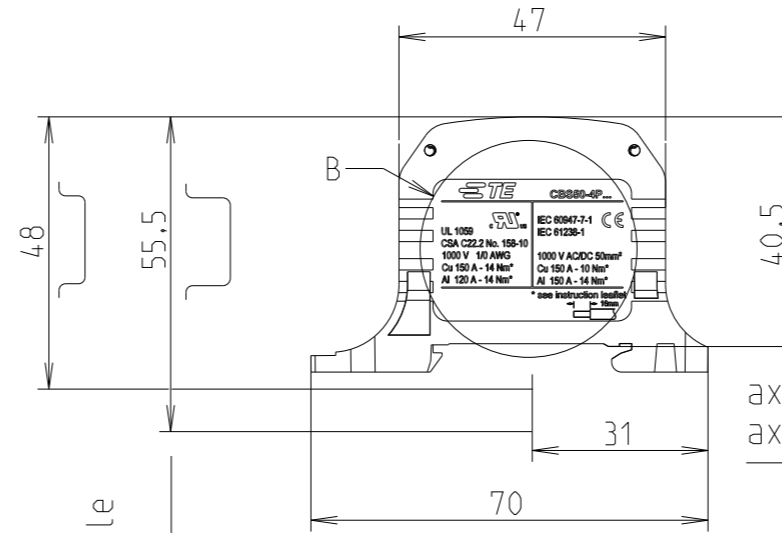
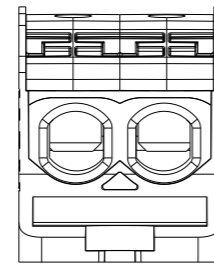


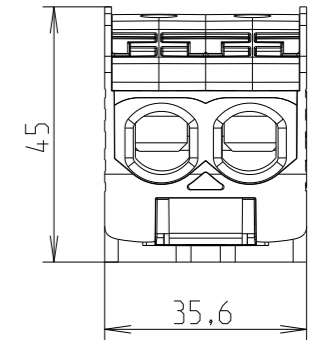
P	LTR	DESCRIPTION	DATE	DWN	APVD
A		INITIAL REVISION	02FEB2022	PS	SB
A2		Range expansion	16MAY2023	VR	VR



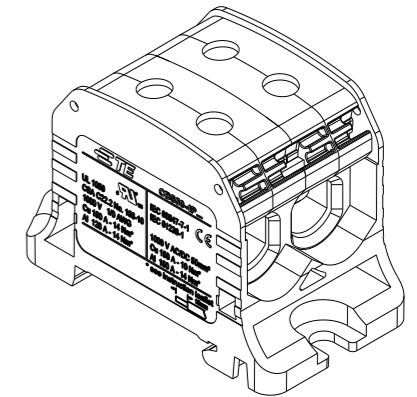
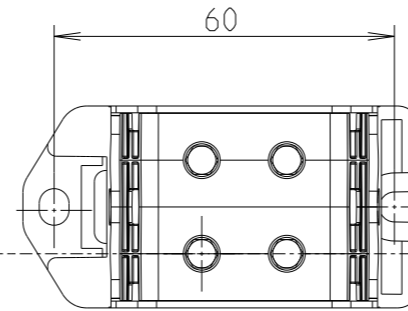
SECTION A-A



axe du profile
axis of profile



hauteur hors tout sur profile
overall height on profile



1SNF516111R0000
PART NO.

STE CBS50-4P...

UL 1059 CSA C22.2 No. 158-10 1000 V 1/0 AWG Cu 150 A - 14 Nm* Al 120 A - 14 Nm*	 IEC 60947-7-1 IEC 61238-1 1000 V AC/DC 50mm ² Cu 150 A - 10 Nm* Al 150 A - 14 Nm*
---	--

* see instruction leaflet

B(7:2)

THIS DRAWING IS A CONTROLLED DOCUMENT.		DTG: May-23 10:12:01 AM Villard, Romain CHK: 2023-05-16 Villard, Romain APVD: 2023-05-16 Villard, Romain PRODUCT SPEC		TE Connectivity	
DIMENSIONS: mm 		TOLERANCES UNLESS OTHERWISE SPECIFIED: 0 PLC ± 1 PLC ±0.1 2 PLC ±0.01 3 PLC ±0.005 4 PLC ±0.0001 ANGLES ± MATERIAL - FINISH -		NAME CBS50-4P 1SNF516111R0000	
MATERIAL - FINISH -		APPLICATION SPEC - WEIGHT 80,119 Customer Drawing		SIZE A3 CAGE CODE 00779 DRAWING NO. C-1SNP300333-0100 RESTRICTED TO	
		SCALE 3:4 SHEET 1 OF 1		REV A2	