

**NEW!**

# STRUCTUREDGROUND™ Auxiliary Cable Bracket and Jumper



## SPECIFICATION SHEET

### specifications

The auxiliary cable bracket shall provide a discrete channel for grounding conductors that require separation from other cables, and it shall be UL Listed and CSA Certified for bonding ladder rack sections together. Paint piercing teeth shall be incorporated into the bracket to automatically remove paint and create a bond for high electrical performance. The auxiliary cable bracket shall be approved to hold up to four conductors in sizes up to 750 kcmil and shall work with all readily available ladder racks. There shall be a grounding jumper that connects to the auxiliary cable brackets to bond the ladder rack sections together and create a grounding path. The jumper shall be factory terminated on both ends with copper compression lugs that meet NEBS Level 3.



### technical information

<b>Performance level:</b>	UL Listed and CSA Certified
	Holds up to four conductors in sizes up to 750 kcmil
	Bonds all 1 1/2" (38.1mm) and 2" (50.8mm) ladder rack rails
<b>Packaging:</b>	Auxiliary cable bracket is supplied with one mounting screw
	Auxiliary cable bracket jumpers are supplied with four mounting screws and antioxidant
<b>Materials:</b>	Bracket – Plated steel
	Jumpers – Class B, copper code conductors with green and yellow insulation

### key features and benefits

<b>Paint piercing teeth</b>	Provide electrical continuity to ladder rack sections while minimizing debris
<b>UL Listed and CSA Certified</b>	Complies with all industry requirements to ensure a high level of safety and reliability
<b>Factory terminated jumpers</b>	Speed and simplify installation and ensure a reliable connection when used with auxiliary cable bracket
<b>Front and back mounting screw options</b>	Allows easy installation and visual inspection

### applications

PANDUIT® STRUCTUREDGROUND™ Auxiliary Cable Bracket and Jumper bond ladder rack sections together without drilling holes in the ladder rack. The bracket supports grounding conductors in the telecommunications room, allowing separation of grounding conductors from other cables on the ladder rack. The mounting screw can be installed on the front or back of the bracket to allow easy mounting

on the ladder rack. When installed, the paint piercing teeth on the bracket remove paint from the ladder rack sections to create an electrical bond. This saves cost and labor as there is no need to manually remove paint. The auxiliary cable bracket jumpers are factory terminated on both ends for a bolt-on solution; connecting ladder rack sections to provide equipotential grounding.

For the complete STRUCTUREDGROUND™ Grounding System offering, refer to [www.panduit.com/dcgrounding](http://www.panduit.com/dcgrounding)

**www.panduit.com**

#### Auxiliary Cable Bracket



1.25" (31.8mm) W x  
7.00" (177.8mm) H x  
4.87" (123.7mm) D:

GACB-1

#### Auxiliary Cable Bracket Jumpers (#6 AWG [16mm<sup>2</sup>], factory terminated on both ends with two-hole, straight lugs)



8" (.20m) L:  
12" (.31m) L:  
18" (.46m) L:

GACBJ68U  
GACBJ612U  
GACBJ618U

#### Related Products

#### BICSI/J-STD-607-A Telecommunications Grounding Busbars (1/4" [6.4mm] thickness x 2" [50.8mm] height)



10" (254mm) L, mounting positions: four 1/4" (M6) stud hole with 5/8" (16mm) spacing and three 3/8" (M8) stud hole with 1" (25.4mm) spacing:

GB2B0304TPI-1

12" (304.8mm) L, mounting positions: six 1/4" (M6) stud hole with 5/8" (16mm) spacing and three 3/8" (M8) stud hole with 1" (25.4mm) spacing:

GB2B0306TPI-1

20" (508mm) L, mounting positions: twelve 1/4" (M6) stud hole with 5/8" (16mm) spacing and three 3/8" (M8) stud hole with 1" (25.4mm) spacing:

GB2B0312TPI-1

#### Code/Flex Conductor Copper Compression HTAPs and Clear Covers



250 kcmil – #2 AWG (120 – 35mm<sup>2</sup>) run, #2 – #6 AWG (25 – 16mm<sup>2</sup>) tap:

HTWC250-2-1

500 kcmil – 4/0 AWG (240 – 120mm<sup>2</sup>) run, 250 kcmil – 1/0 AWG (120 – 70mm<sup>2</sup>) tap:

HTWC500-250-1

750 – 350 kcmil (300 – 185mm<sup>2</sup>) run, 4/0 – 1/0 AWG (95 – 70mm<sup>2</sup>) tap:

HTWC750-4/0-1

#### PAN-Ty® Cable Tie

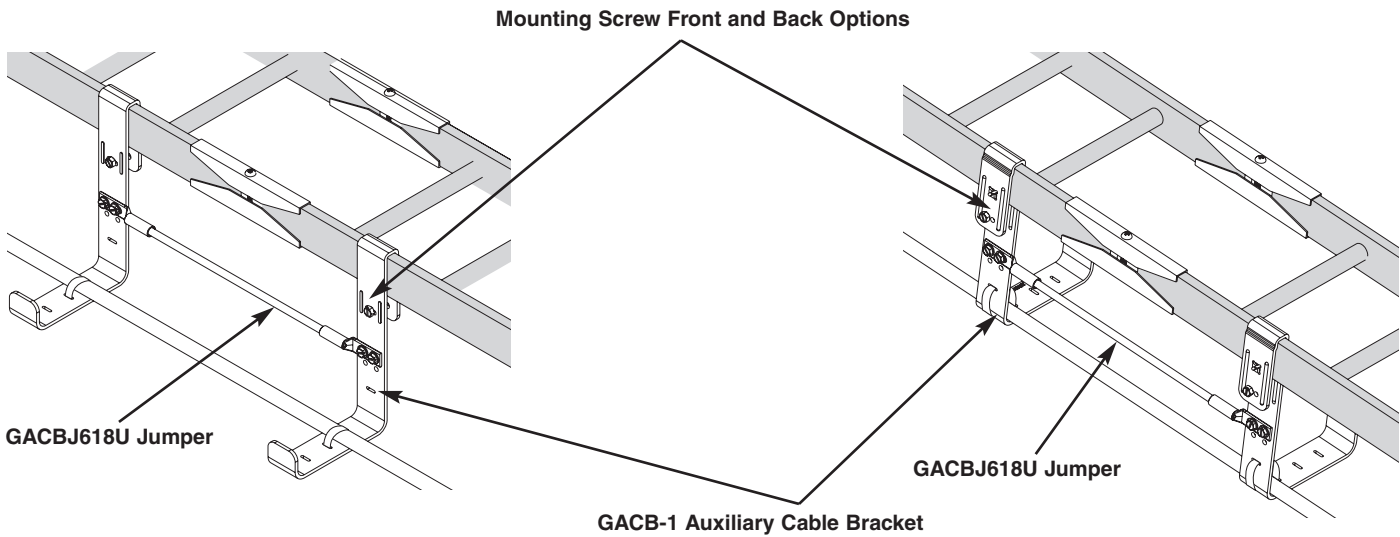
(Flammability rating UL 94V-0) c

8.0" (203mm) L x  
.142" (3.6mm) W x  
.044" (1.1mm) T:

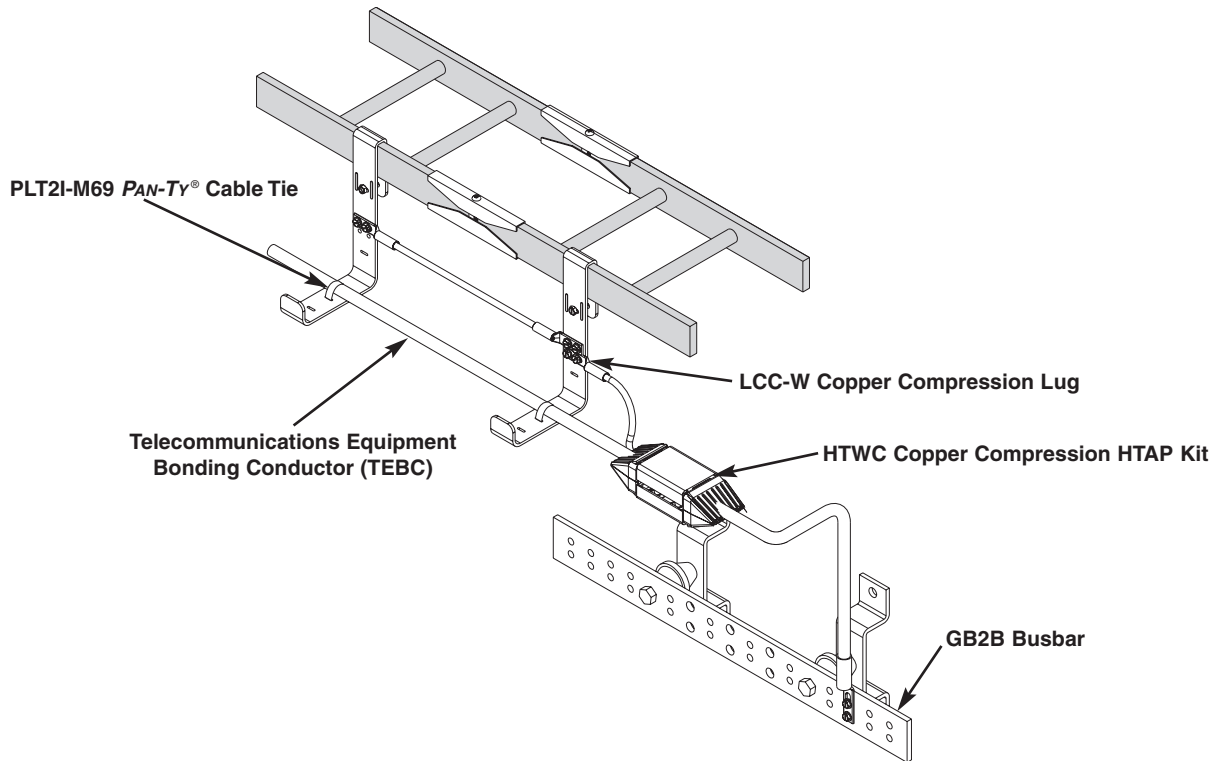
PLT21-M69

# STRUCTUREDGROUND™ Auxiliary Cable Bracket and Jumper

## STRUCTUREDGROUND™ Auxiliary Cable Bracket Mounting Options



## Complete Installation to Busbar



### WORLDWIDE SUBSIDIARIES AND SALES OFFICES

PANDUIT CANADA  
Markham, Ontario  
cs-cdn@panduit.com  
Phone: 800.777.3300

PANDUIT EUROPE LTD.  
London, UK  
cs-emea@panduit.com  
Phone: 44.20.8601.7200

PANDUIT SINGAPORE PTE. LTD.  
Republic of Singapore  
cs-ap@panduit.com  
Phone: 65.6305.7575

PANDUIT JAPAN  
Tokyo, Japan  
cs-japan@panduit.com  
Phone: 81.3.6863.6000

PANDUIT LATIN AMERICA  
Jalisco, Mexico  
cs-la@panduit.com  
Phone: 52.333.777.6000

PANDUIT AUSTRALIA PTY. LTD.  
Victoria, Australia  
cs-aus@panduit.com  
Phone: 61.3.9794.9020

For a copy of PANDUIT product warranties, log on to [www.panduit.com/warranty](http://www.panduit.com/warranty)



For more information

Visit us at [www.panduit.com](http://www.panduit.com)

Contact Customer Service by email: [cs@panduit.com](mailto:cs@panduit.com)  
or by phone: 800-777-3300 and reference GRSP06

©2007 PANDUIT Corp.  
ALL RIGHTS RESERVED.

WW-GRSP06

12/2008