

HALL EFFECT PUSHBUTTON SWITCHES

HP7
HALL EFFECT
PUSHBUTTONS

10 MILLION CYCLES, CONTACTLESS HALL EFFECT TECHNOLOGY

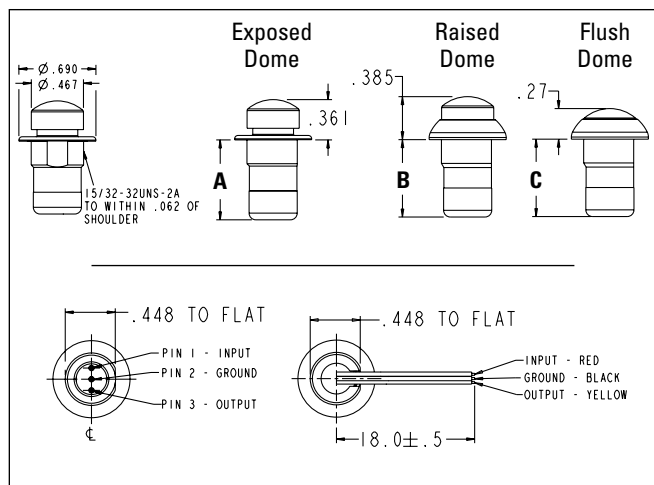
Designated the HP7 series, these momentary pushbutton switches utilize Hall effect sensor technology for long life contactless switching, with 10 million cycles. Available in dusttight and moistureproof sealed configurations, these switches can also be watertight sealed to IP68S. The stylish dome-shaped pushbuttons are available in nine colors.

Case and bezel are precision-machined aluminum alloy, available with either a black or clear coat anodized finish. Three case and button styles are offered in raised dome, flush dome and exposed dome styles. PC pins or wire leads are standard, with value-added connectors available to specification.

This rugged switch is designed to withstand harsh environments while being subjected to high rates of actuation. Applications that require repeated "jogging" and other continuous operations are prime applications for the HP7 Hall Effect Switch. Examples of such can be found in material handling equipment such as loaders, lift trucks, bucket and shovel, and other applications where positioning of the load is critical.

Features:

- 10 million cycles
- Hall effect sensor technology for long life
- Moistureproof & dusttight to IP64 or watertight to IP68S
- Stylish dome-shaped buttons in 9 colors
- Momentary action
- Choice of termination styles
- Mechanical detent available for tactile feedback
- RoHS/WEEE/Reach compliant



	PIN HEAD	WIRE LEAD
A - Exposed Dome	.716	.652
B - Raised Dome	.693	.628
C - Flush Dome	.693	.628



Standard Characteristics/Ratings:			
MECHANICAL:			
Mechanical Life:	10,000,000 cycles without detent		
Button Travel:	0.080 inches max		
Overtravel:	0.010 inches min		
Operating Force:	Without detent: 16 oz +/- 8 oz With detent: 28 oz +/- 8 oz		
Operating Point:	0.040 inches +/- 0.010		
Electrical Life:	10,000,000 cycles		
ELECTRICAL RATINGS: Rated at Vcc = 5V @ 25°C Load = 1mA (4.7KΩ)			
Electrical	Units	Min	Max
Supply Voltage	VDC	4.5	24
Reverse Output Voltage	VDC	N/A	0.5
Supply Current	mA	N/A	9
Continuous Output Current	mA	N/A	25
Reverse Battery Protection	VDC	N/A	-30
ELECTRONICS:			
Seal Integrity:	IP64 or IP68S		
ENVIRONMENTAL:			
Operating Temp Range:	-40°C to +85°C		
Storage Temp Range:	-55°C to +105°C		
MATERIALS:			
Button:	Thermoplastic		
Case:	Aluminum alloy		
Mounting Hardware:	Hex nut & lockwasher		

HP7 PART NUMBER CODE						
HP7	-	X	X	X	X	X
Dome Style	Action	Terminal Style	Seal Level	Case Color	Button Color	
DE. Exposed Dome	1. Normally High Momentary	3. 3 Pin Header	2. Dusttight & Moistureproof	1. Clear	1. Red	
DF. Flush Dome	2. Normally High Momentary with Detent	5. 18" Potted 26 AWG Wire Leads	3. Watertight	2. Black	2. Black	
DR. Raised Dome	3. Normally Low Momentary				3. Orange	
	4. Normally Low Momentary with Detent				4. Yellow	
					5. Green	
					6. Blue	
					7. Purple	
					8. Gray	
					9. White	

Mouser Electronics

Authorized Distributor

Click to View Pricing, Inventory, Delivery & Lifecycle Information:

OTTO:

[HP7-DE13221](#) [HP7-DE13224](#) [HP7-DE13321](#) [HP7-DE13322](#) [HP7-DE13324](#) [HP7-DE15221](#) [HP7-DE15222](#) [HP7-DE15312](#) [HP7-DE15321](#) [HP7-DE15322](#) [HP7-DE15324](#) [HP7-DE15328](#) [HP7-DE23222](#) [HP7-DE23322](#) [HP7-DE25222](#) [HP7-DE25321](#) [HP7-DE25322](#) [HP7-DE25325](#) [HP7-DE25329](#) [HP7-DE35222](#) [HP7-DE35311](#) [HP7-DE45215](#) [HP7-DE45221](#) [HP7-DE45321](#) [HP7-DE45322](#) [HP7-DE45325](#) [HP7-DE45329](#) [HP7-DF13221](#) [HP7-DF13222](#) [HP7-DF13229](#) [HP7-DF13322](#) [HP7-DF13324](#) [HP7-DF15312](#) [HP7-DF15328](#) [HP7-DF23321](#) [HP7-DF23322](#) [HP7-DF25321](#) [HP7-DF25322](#) [HP7-DF33225](#) [HP7-DF33321](#) [HP7-DF33322](#) [HP7-DF33323](#) [HP7-DF33325](#) [HP7-DF33326](#) [HP7-DF35321](#) [HP7-DF35322](#) [HP7-DF35323](#) [HP7-DF35324](#) [HP7-DF35325](#) [HP7-DF35326](#) [HP7-DF35327](#) [HP7-DF35328](#) [HP7-DF35329](#) [HP7-DF43225](#) [HP7-DF43321](#) [HP7-DF45322](#) [HP7-DR13221](#) [HP7-DR13222](#) [HP7-DR13229](#) [HP7-DR13321](#) [HP7-DR13322](#) [HP7-DR13324](#) [HP7-DR13325](#) [HP7-DR13329](#) [HP7-DR15221](#) [HP7-DR15222](#) [HP7-DR15223](#) [HP7-DR15224](#) [HP7-DR15225](#) [HP7-DR15226](#) [HP7-DR15228](#) [HP7-DR15229](#) [HP7-DR23222](#) [HP7-DR23321](#) [HP7-DR25321](#) [HP7-DR25322](#) [HP7-DR25325](#) [HP7-DR25326](#) [HP7-DR25329](#) [HP7-DR33321](#) [HP7-DR33325](#) [HP7-DR35221](#) [HP7-DR35222](#) [HP7-DR35319](#) [HP7-DR35321](#) [HP7-DR35322](#) [HP7-DR35324](#) [HP7-DR35326](#) [HP7-DR35328](#) [HP7-DR35329](#) [HP7-DR43321](#) [HP7-DR43322](#) [HP7-DR43329](#) [HP7-DR45221](#) [HP7-DR45222](#) [HP7-DR45321](#) [HP7-DR45322](#) [HP7-DR45325](#) [HP7-DR45329](#)