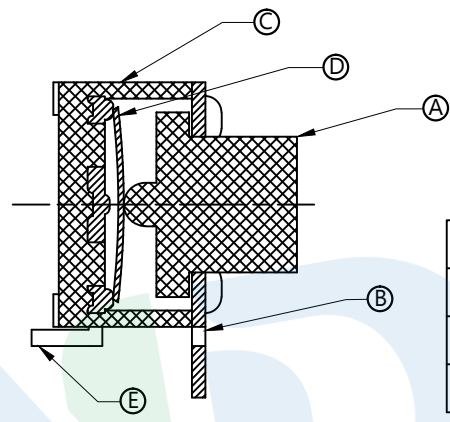
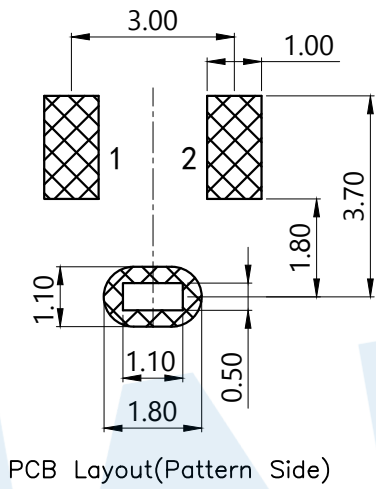
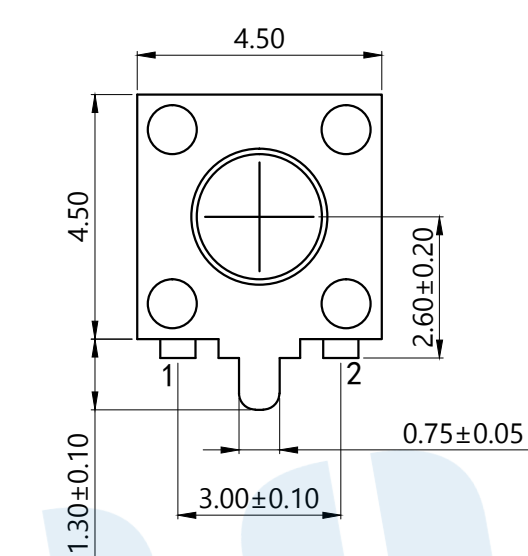
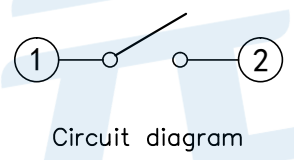
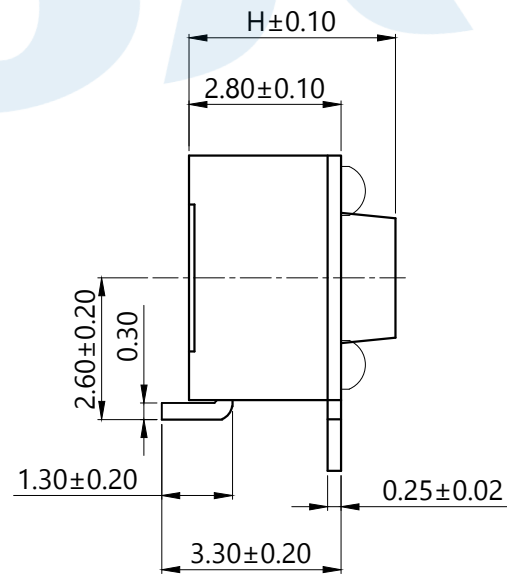
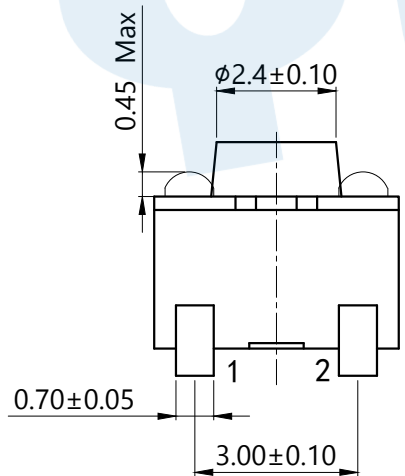


RoHS



SHRAPNEL	
CODE	MATERIAL/QTY
D2	SUS/1PCS
D4	SUS/2PCS

OPERATING FORCE	
CODE	VIGOR
B1	120±30gf
B2	180±30gf
B3	250±30gf



TOTAL HEIGHT					
CODE	H	φ	CODE	H	φ
A1	3.8	2.40	A6	6.0	2.25
A2	4.3	2.40	A7	6.5	2.25
A3	4.5	2.40	A8	7.0	2.20
A4	5.0	2.35	A9	7.5	2.15
A5	5.5	2.35	A10	8.0	2.15

NO.	Name	Number	Qty	Materil	Remarks
⑤	Terminal		4	Brass	Silvering
④	Reed		1	SUS	Silver covered
③	Base		1	PPA	Black
②	Cover		1	SPCC	Plating Sn
①	Keystoke		1	PPA	Black

YUANDI® Yuandi Electronics Co, Ltd

design	date	name	TACT SWITCHS
Review	date	model	TS-1091C-A□B□-D□
Approved	date		

Drawing number: Proportion 1:1 unit mm gage number A4

angle	±2'
10~30	±0.30
5~10	±0.20
~ 5	±0.10

modify Review Approved Tolerance not specified