

THIS DRAWING IS UNPUBLISHED.

RELEASED FOR PUBLICATION

20

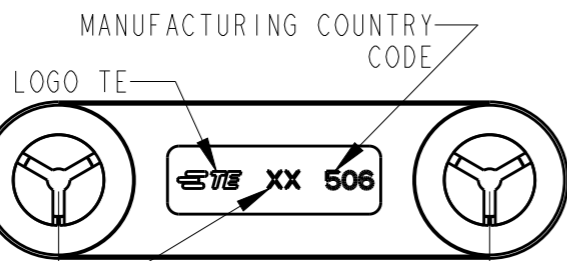
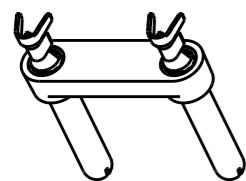
© COPYRIGHT 20 BY -

ALL RIGHTS RESERVED.

LOC AP DIST -

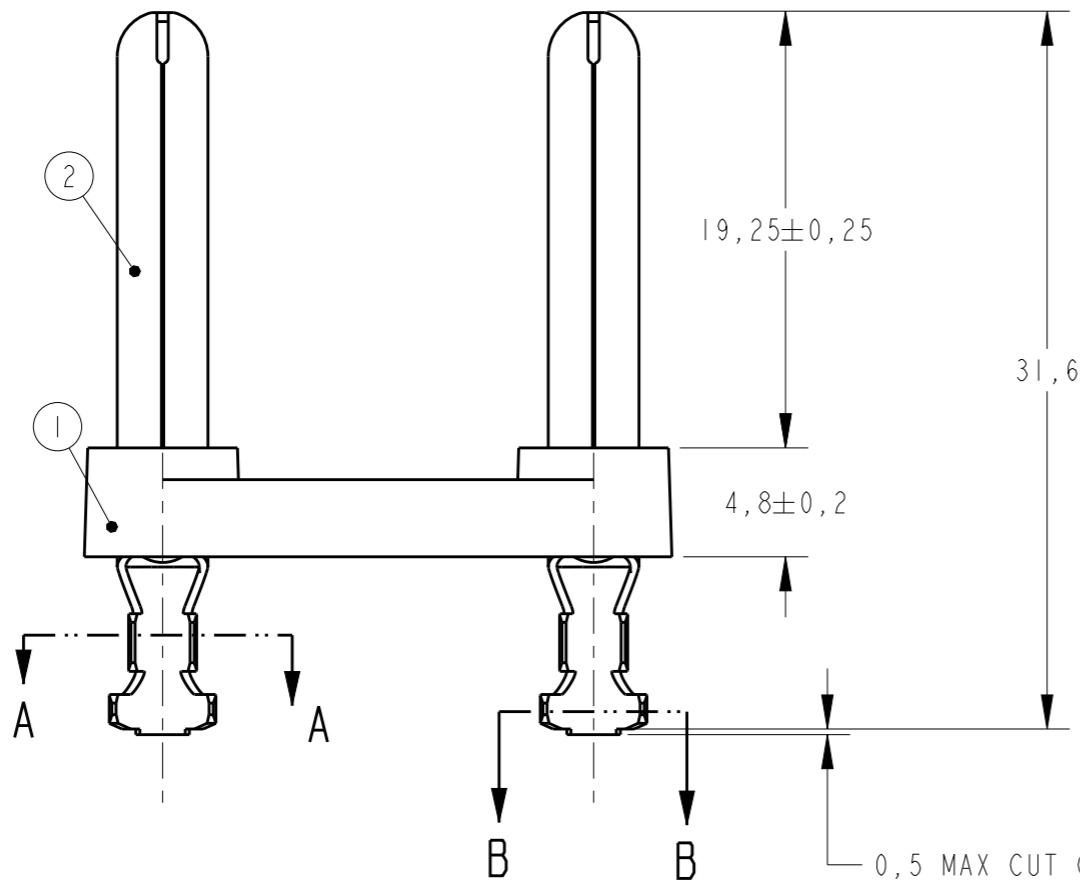
REVISIONS

P	LTR	DESCRIPTION	DATE	DWN	APVD
	A	REV. ECO 14-018354	09DEC2014	HC	WLS
	B	REV. ECO 15-002812	24FEB2015	HC	WLS
	C	REV. BY ECO 16-015157	20OCT2016	HC	WLS

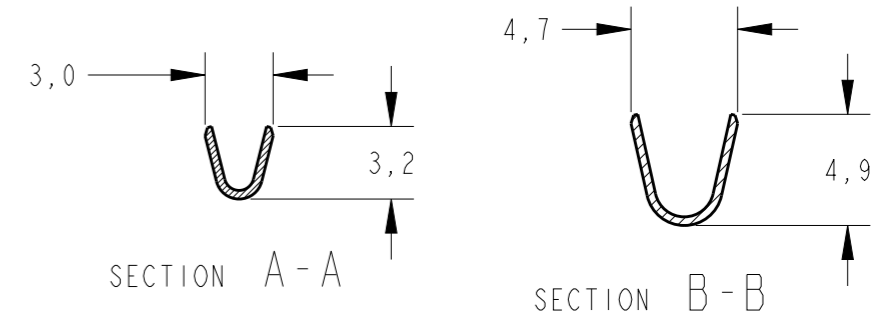


MOLD CAVITY NUMBER

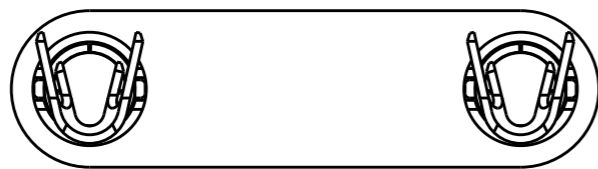
19,0±0,2



∅ 4,0±0,05



1-TERMINAL WIRE RANGE - 0,5/1,5mm<sup>2</sup>  
 INSULATION RANGE - ∅2,0/3,0mm.



NICKEL PLATED	BRASS	WALL PLUG PIN	2	2819037-1
BLACK	PBT 30% GF	2 POS. WALL PLUG SPACER	1	
FINISH	MATERIAL	DESCRIPTION	ITEM NUMBER	PART NUMBER

THIS DRAWING IS A CONTROLLED DOCUMENT.

DWN: H. CANTERI 13MAY2014  
 CHK: W.L. STEFANI 13MAY2014  
 APVD: -

**STE** TE Connectivity

NAME: 2 POS. WALL PLUG ASSEMBLY

PRODUCT SPEC: -  
 APPLICATION SPEC: -  
 WEIGHT: -

SIZE: A3 CAGE CODE: 00779 DRAWING NO: 2819037 RESTRICTED TO: -

Customer Drawing SCALE: 3:1 SHEET: 1 OF 1 REV: C