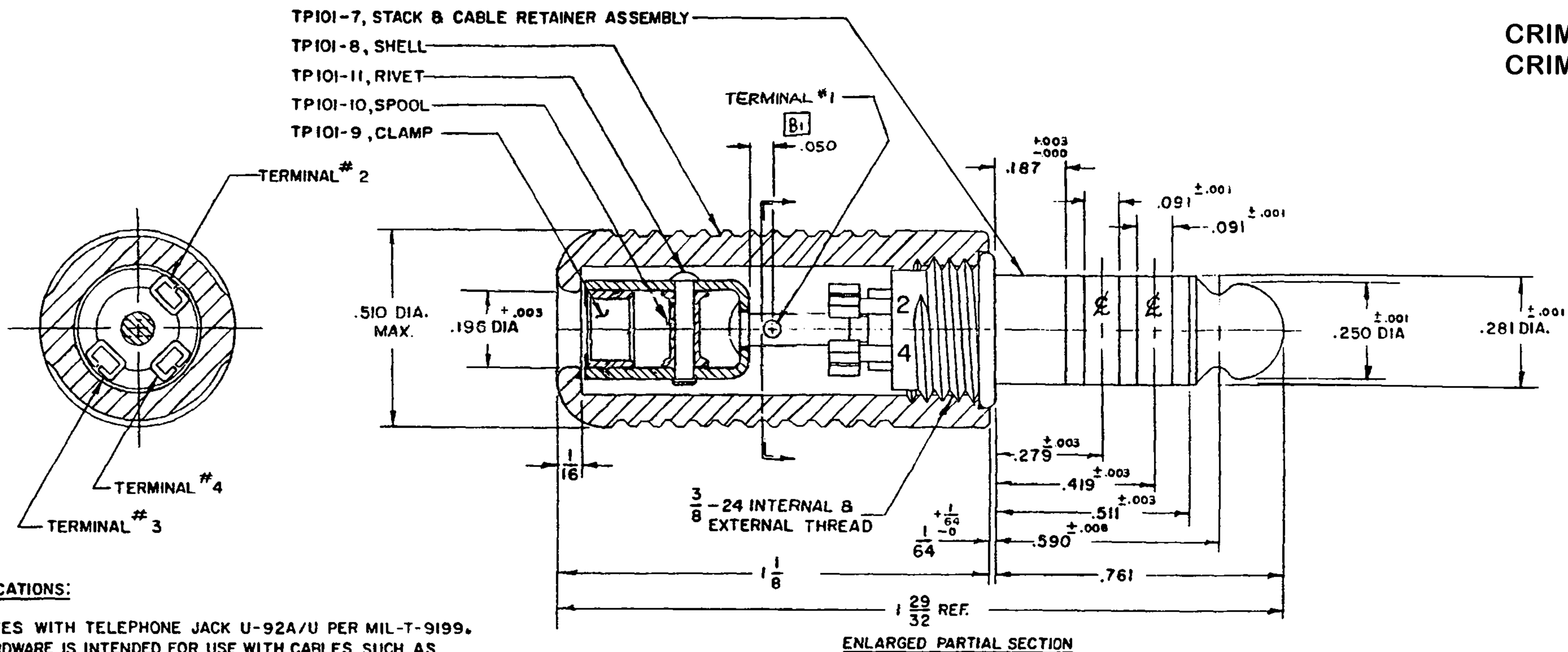


CRIMP TOOL HX4
CRIMP DIE Y1633



CONDENSED SPECIFICATIONS:

1. THIS PLUG MATES WITH TELEPHONE JACK U-92A/U PER MIL-T-9199.
2. THE CABLE HARDWARE IS INTENDED FOR USE WITH CABLES SUCH AS THAT SHOWN ON AIR FORCE DWG. NO. 60C12501.
3. THE SOLDER TERMINALS ARE TINNED AND EACH WILL ACCEPT TWO STRANDED CONDUCTORS OF 320 CIRCULAR MILLS (37 BUNCH STRANDED AWG # 40).
4. EACH CONDUCTOR IS OF ONE PIECE CONSTRUCTION - THERE ARE NO JOINTS OF ANY TYPE BETWEEN THE CONTACT AREA AND THE SOLDER TERMINALS.
5. THE .281 STACK DIAMETER IS MACHINED AFTER INSERT MOLDING SO THE CONTACTS AND INSULATION ARE FLUSH AND CONCENTRIC.
6. THE STAY CORD ANCHOR WILL WITHSTAND A 25 POUND PULL FOR AT LEAST 5 MINS.
7. A SHOULDER IS FORMED AS AN INTEGRAL PART OF CONTACT NO. 4 TO PERMIT MATING WITH OBSOLETE U-92/U JACKS.
8. THE CONCENTRICITY OF THE BALL END OF THE PLUG TO THE .281 DIA. IS SUCH THAT THE PLUG WILL FREELY ENTER A RING GAGE HAVING A MAX. INTERNAL DIA. OF .284 FOR A LENGTH OF .590 AND A MAX. INTERNAL DIA. OF .254 FOR A LENGTH OF .175 WITH NO FORCE EXCEPT ITS OWN WEIGHT.

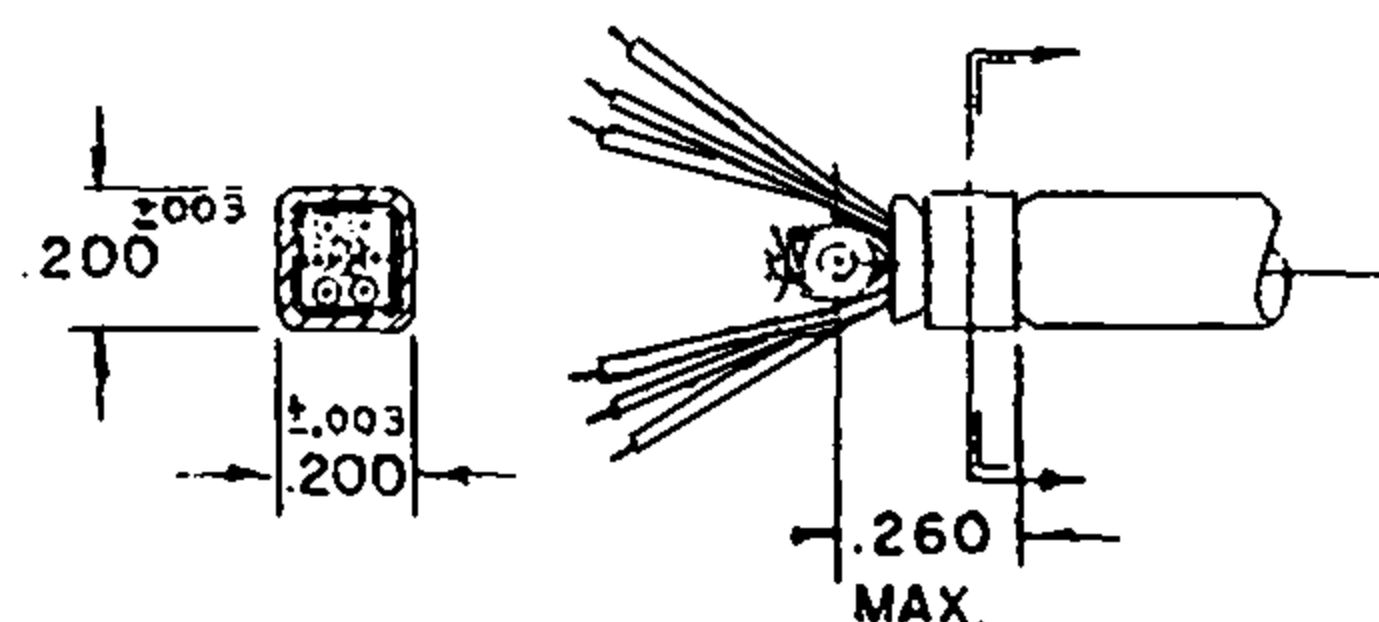
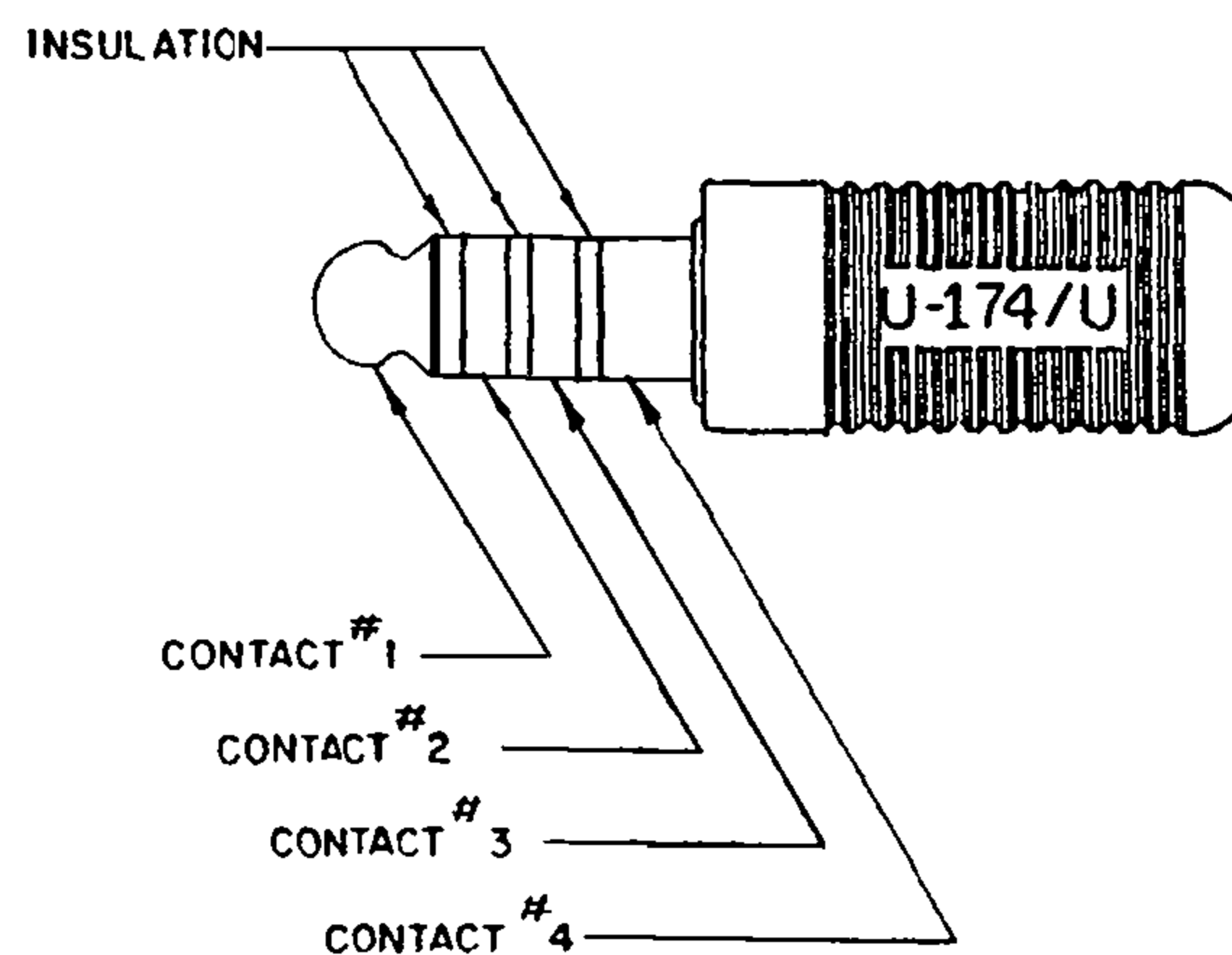
9. MATERIALS:

- A. CONTACTS - NICKEL-COPPER ALLOY PER FEDERAL SPEC. QQ-N-281, (MONEL).
- B. STACK INSULATION - MINN. MINING & MFG. CO. "KEL-F".
- C. STRAIN RELIEF BRACKET - STAINLESS STEEL PER FEDERAL SPEC. QQ-S-766 CLASS 4.
- D. CABLE HARDWARE - COPPER ALLOY PLATED TO FEDERAL SPEC. QQ-P-416 CLASS 3 TYPE II.
- E. SHELL - POLYAMIDE PLASTIC, BLACK, PER MIL-P-17091 TYPE I.

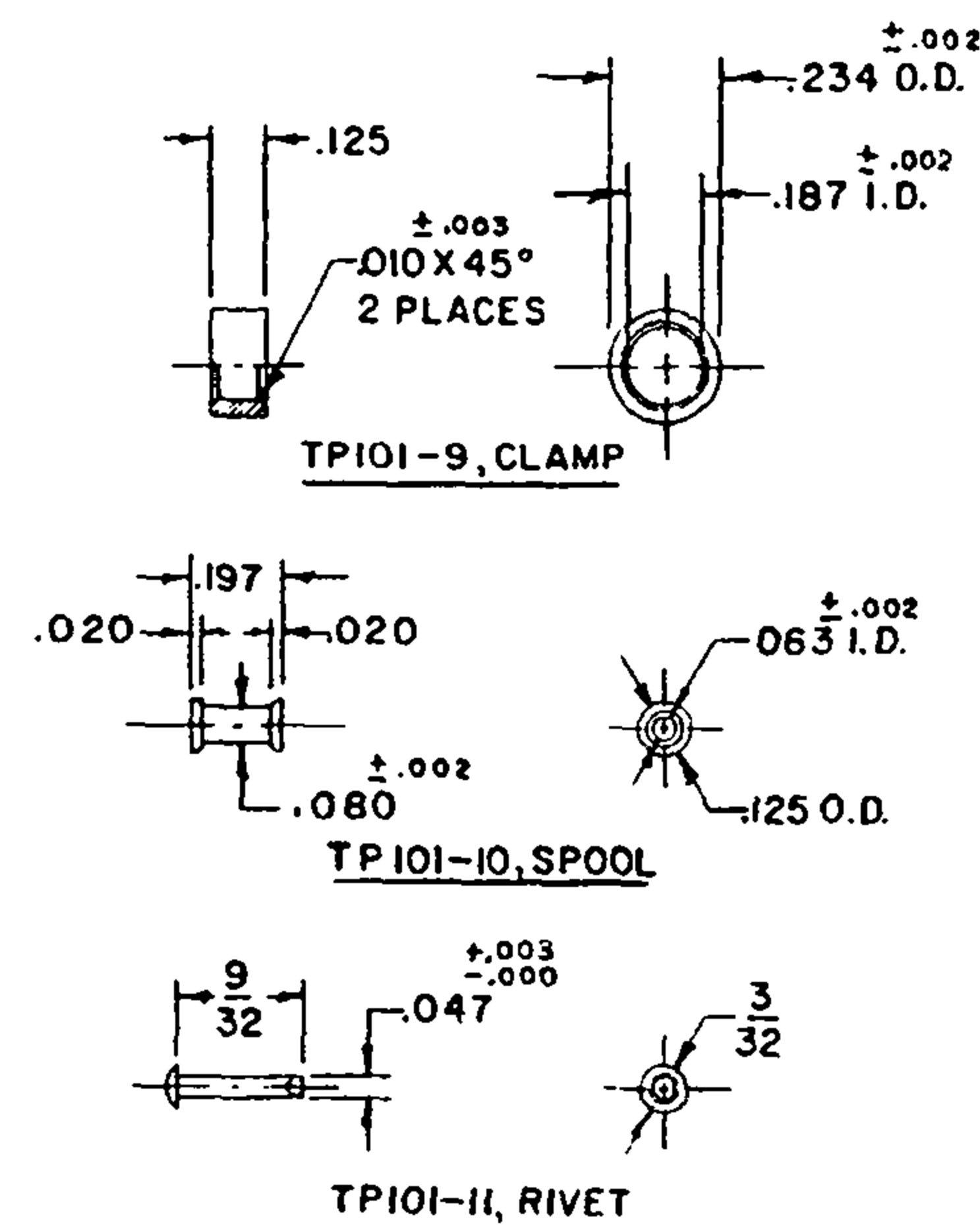
10. ELECTRICAL:

- A. DIELECTRIC STRENGTH - 500 VOLTS RMS MIN. BETWEEN ANY PAIR OF CONTACTS.
- B. INSULATION RESISTANCE - 100 MEGOHMS MIN. BETWEEN ANY PAIR OF CONTACTS.
- C. CONTACT RESISTANCE - WHEN MATED WITH A U-92A/U TELEPHONE JACK AND WITH A DIRECT CURRENT OF 100 MILLIAMPERES AT 5 VOLTS (OPEN CIRCUIT VOLTAGE) FLOWING THROUGH THE CONTACTS, THE POTENTIAL DROP BETWEEN EACH PAIR OF CONTACTS WILL NOT EXCEED .005 VOLTS.

11. THIS TELEPHONE PLUG IS SUPPLIED IN A POLYETHYLENE BAG WITH THE CASE AND CABLE HARDWARE UNASSEMBLED.



DIMENSIONS FOR ATTACHING
CABLE CLAMP



B	ADDED .050	W.H.F.
A	REDRAWN	W.H.F.
LET.	REVISION	DATE

DRN. BY W.H.F.	DATE 4/20/69	MATERIAL
CHECKED BY R.K.B.		FINISH
APPR. BY W.H.F.		WEIGHT 8.7 GRAMS
UNLESS OTHERWISE SPECIFIED		SCALE 2:1 & 4:1
DIMENSIONS ARE IN INCHES		TITLE TELEPHONE PLUG U-174/U
TOLERANCES ON FRACTIONS DECIMALS ANGLES		DO NOT SCALE DWG. SHEET OF
±1/64 ±.005 ±1°		NEXUS STAMFORD, CONN.
		SIZE DWG. NO. C TP 101

C TP-101