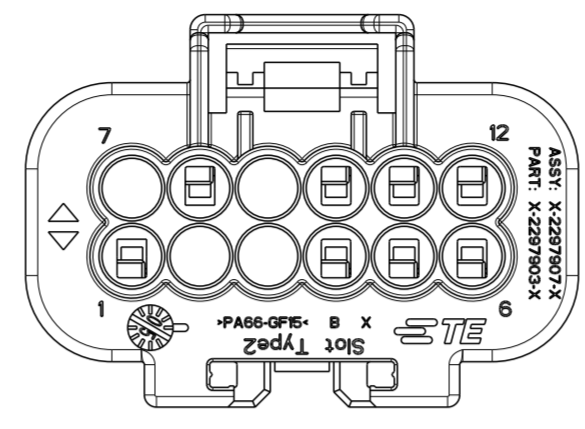
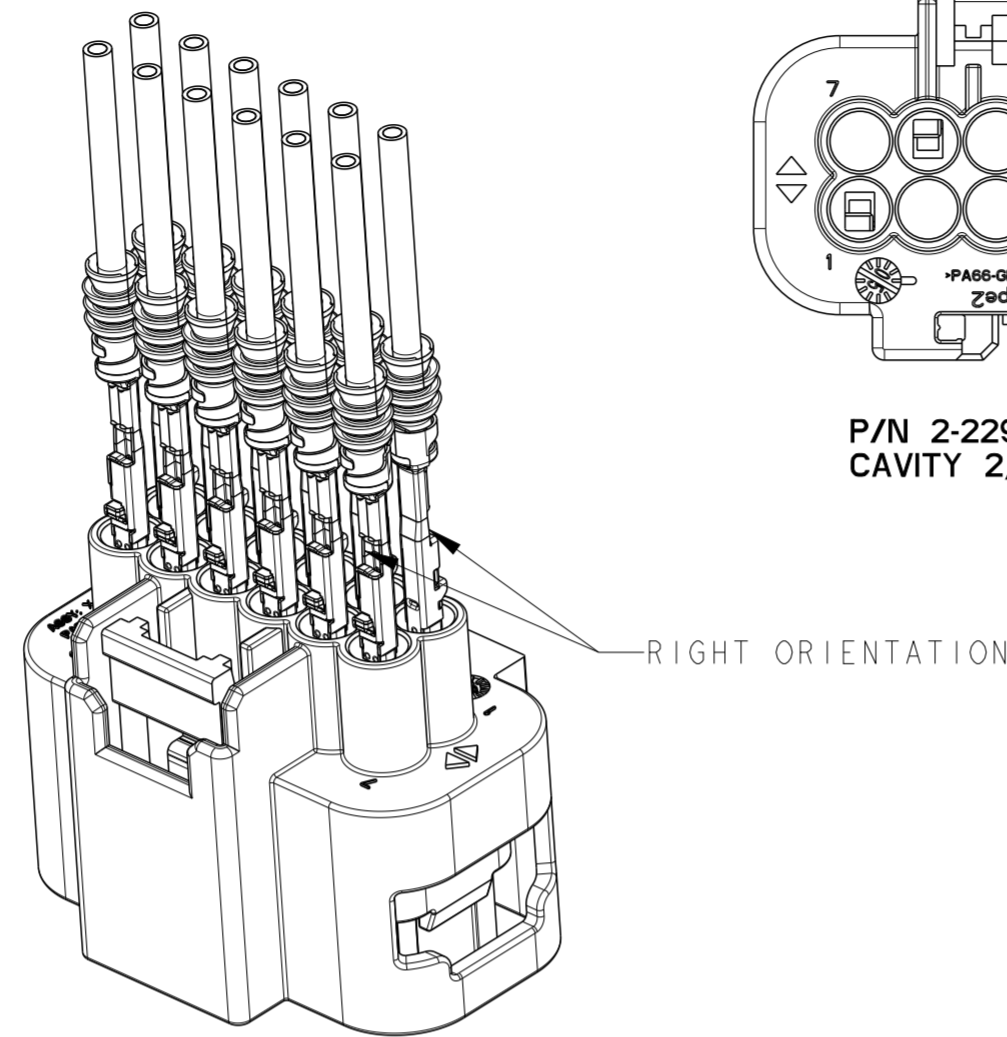
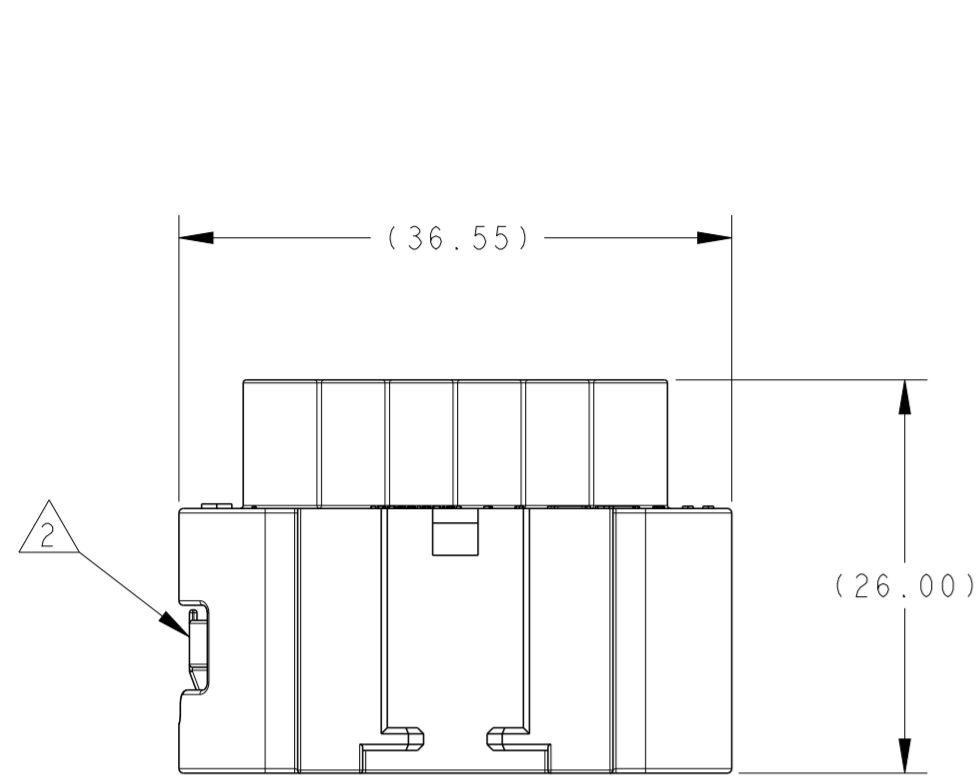
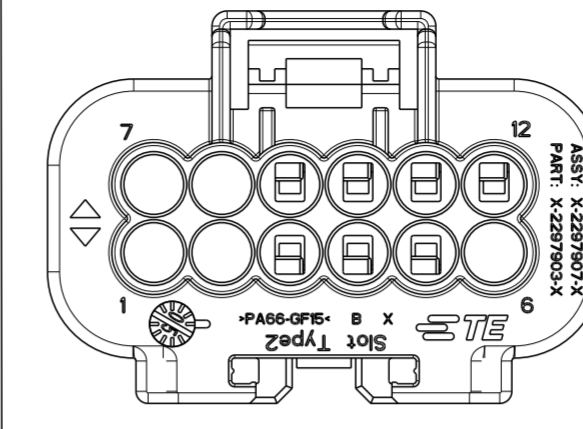


P	LTR	DESCRIPTION	DATE	DWN	APVD
B2		ECN-21-117679	15SEP2021	J.L	J.Z
B3		ECN-22-147753 NEW CODING	07APR2022	J.L	J.Z
B4		ECN-23-229690 NOTE UPDATE	06SEP2023	J.L	J.Z
B5		ECN-23-239565	15NOV23	J.H	J.Z

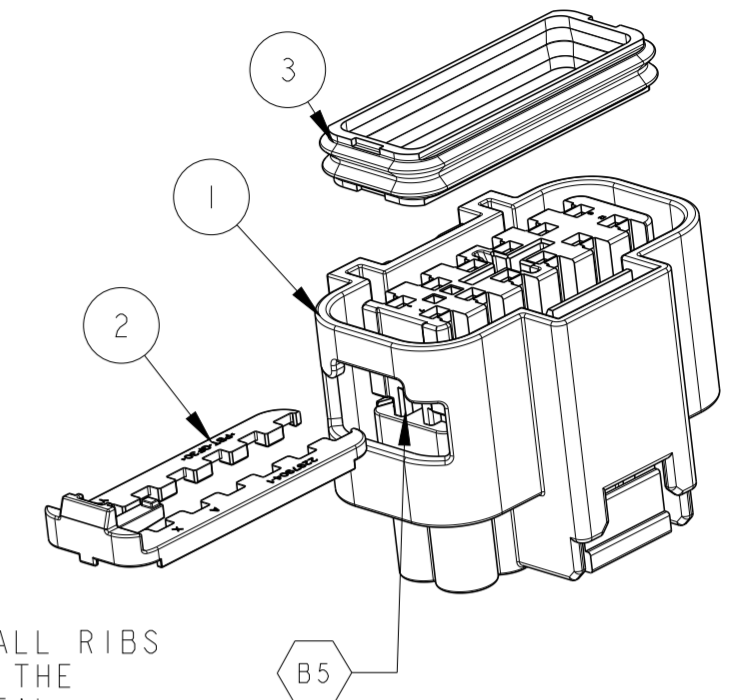
2297907-1 AS SHOWN



P/N 2-2297907-1  
CAVITY 2,3,7,9 CLOSED

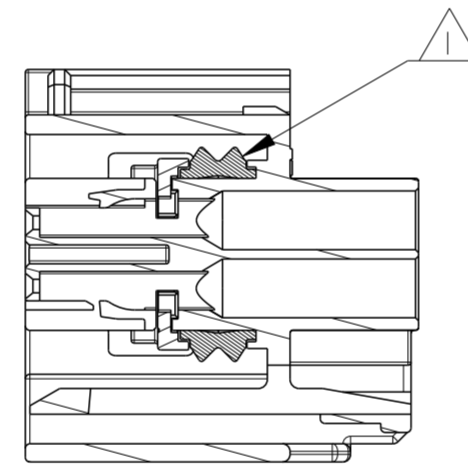
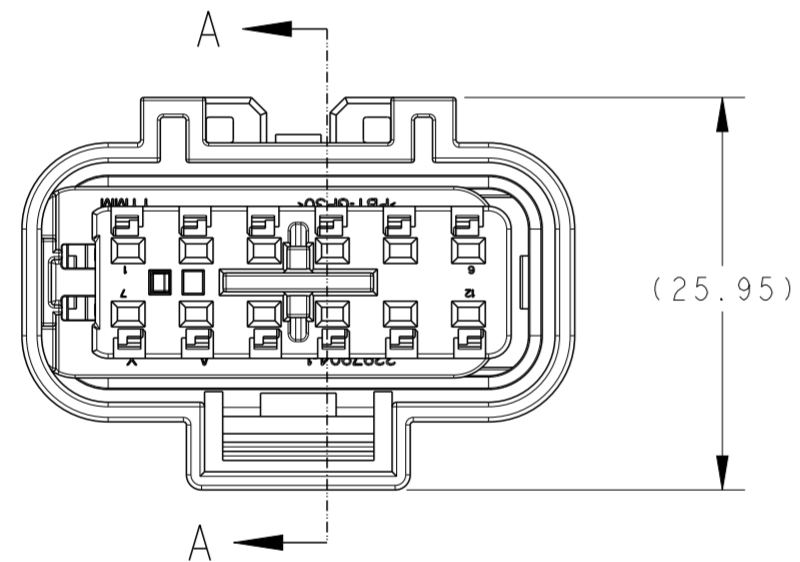


P/N 2-2297907-2  
CAVITY 1,2,6,7,8 CLOSED



NOTES:

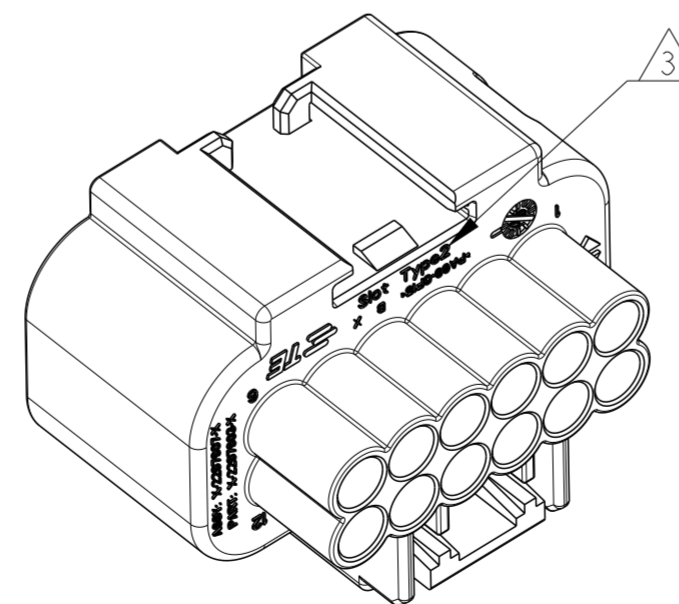
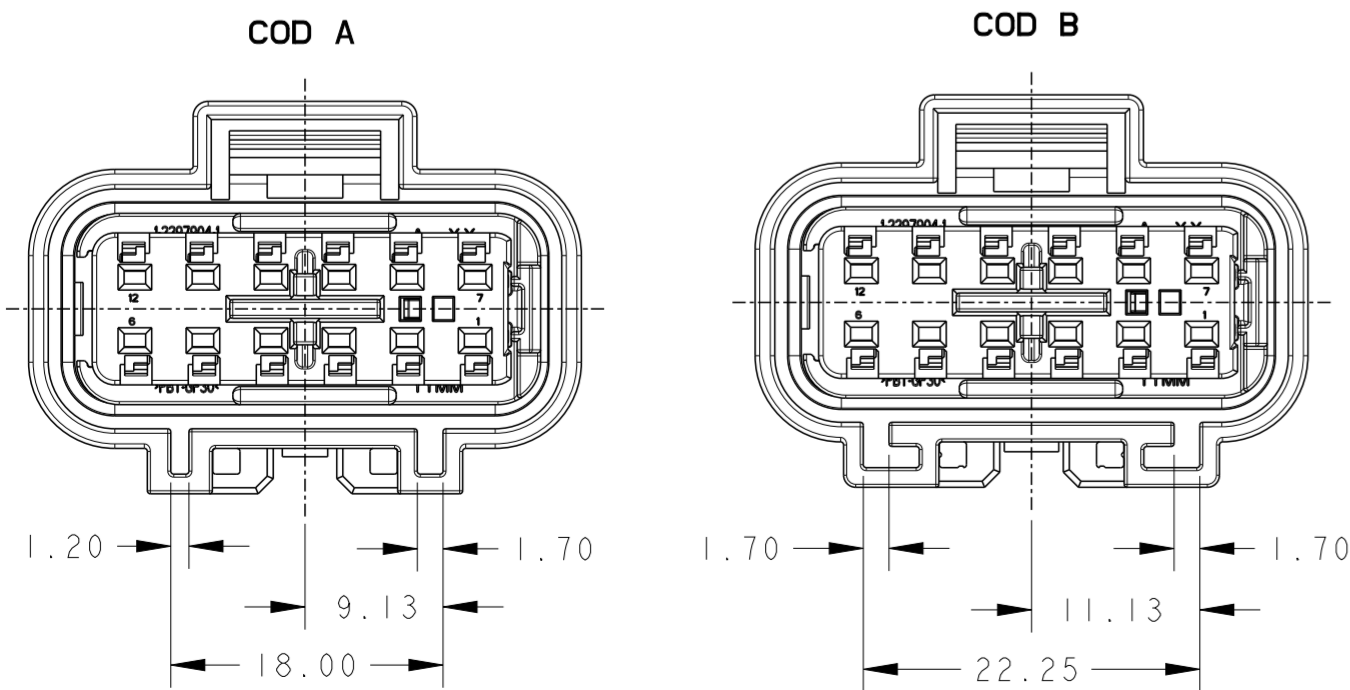
- 1 THE SEALING SHOULD BE FULLY INSERTED AND ALL RIBS OF THE SOCKET HOUSING SHOULD BE INSIDE OF THE CORRESPONDING POCKETS OF THE PERIPHERAL SEAL
- B4 2 PRODUCT DELIVERED WITH SECOND LOCK IN PRE-LOCK POSITION RESET THE SECONDARY LOCK TO PRE-LOCK POSITION FOLLOW 114-32331 IF IT LOCKED WHEN DILIVERY.
- 3. PRODUCT SPEC: 108-101428
- B4 4. MATING CONNECTOR: 2297911 OR FOLLOW INTERFACE 114-160484
- 5. APPLICABLE TERMINAL PART NUMBERS AND WIRE SIZES :



SECTION A-A

TERMINAL	REFER TO DRAWING	WIRE SIZE (mm <sup>2</sup> )	TERMINAL P/N	WIRE INSULATION (mm <sup>2</sup> )	CAVITY DIAMETER(mm)	SWS PN/ SEALING PLUG
MCON 1.2	1534326	0.35	1418844	∅ 1.10~∅ 1.75	∅ 3.95	SEE 114-18464
		0.5~0.75	1670146	∅ 1.40~∅ 1.90		
		1.0~1.5	1418850	∅ 1.90~∅ 2.40		
MONO 1.2	2364199	0.35	2364199-3	∅ 1.10~∅ 1.40	∅ 3.95	SEE 114-32121
		0.5	2364199-2	∅ 1.40~∅ 1.70		
		0.75~1.0	2364199-1	∅ 1.45~∅ 2.10		

CODING CONFIGURATION



1	1	1	1	1	1	O-RING	SILICONE	NATURAL	3
1	1	1	1	1		TPA TYPE B	PBT-GF30	RED	2
					1	TPA TYPE A	PBT-GF30	RED	
	1					HSG 7P,COD B	PA66-GF15	GRAY	1
		1				HSG 8P,COD A	PA66-GF15	BLACK	
			1			HSG 12P,COD B	PA66-GF15	GRAY	
1				1	1	HSG 12P,COD A	PA66-GF15	BLACK	
COD A	COD B	COD A	COD B	COD A	COD A	DESCRIPTION	MATERIAL	COLOR	ITEM
TYPE 2	TYPE 2	TYPE 2	TYPE 2	NA	NA	3 CLIP SLOT MARK			
3-2297907-1	2-2297907-2	2-2297907-1	1-2297907-2	1-2297907-1	2297907-1	TE ASSEMBLY NO.			

THIS DRAWING IS A CONTROLLED DOCUMENT.

DWN	J. ZHU	30DEC2015
CHK	A. DANG	30DEC2015
APVD	SY. WANG	30DEC2015
PRODUCT SPEC	108-101428	
APPLICATION SPEC	-	
WEIGHT	-	
CUSTOMER DRAWING	SCALE	2:1

TE Connectivity

NAME: 12WAY IN-LINE CONNECTOR, SEALING  
12 WAY MCON1.2

SIZE: A2 CAGE CODE: - DRAWING NO: C-2297907 RESTRICTED TO: -

SHEET 1 OF 1 REV B5