

Coaxial

Power Splitter/Combiner

ZFRSC-4-842-S+

4 Way-0° Resistive 50Ω DC to 8400 MHz



Generic photo used for illustration purposes only
CASE STYLE: G15

Connectors Model
SMA ZFRSC-4-842-S+
BRACKET (OPTION "B")

+RoHS Compliant

The +Suffix identifies RoHS Compliance. See our web site for RoHS Compliance methodologies and qualifications

Maximum Ratings

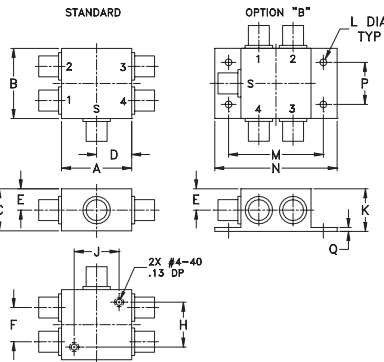
Operating Temperature	-55°C to 100°C
Storage Temperature	-55°C to 100°C
Power Input (as a splitter)	0.16W max.
Internal Dissipation	0.12W max.

Permanent damage may occur if any of these limits are exceeded.

Coaxial Connections

SUM PORT	S
PORT 1	1
PORT 2	2
PORT 3	3
PORT 4	4

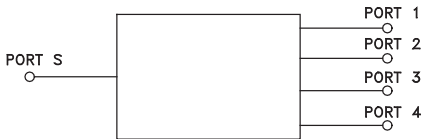
Outline Drawing



Outline Dimensions (inch/mm)

A	B	C	D	E	F	G	H
1.25	1.25	.75	.63	.38	.61	—	.80
31.75	31.75	19.05	16.00	9.65	15.49	—	20.32
J	K	L	M	N	P	Q	wt
.80	.76	.125	1.688	2.18	.75	.07	grams
20.32	19.30	3.18	42.88	55.37	19.05	1.78	85.0

Electrical Schematic



Features

- wideband, DC to 8400 MHz
- good VSWR, 1.15:1 typ.
- excellent amplitude unbalance, 0.3 dB typ.
- rugged shielded case

Applications

- laboratory
- test set-ups

Electrical Specifications at 25°C

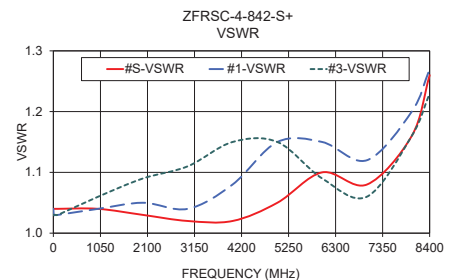
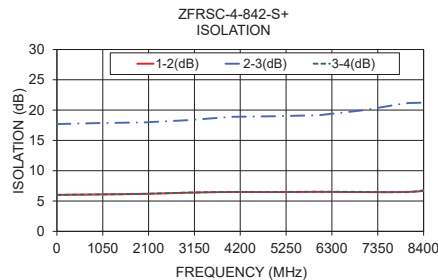
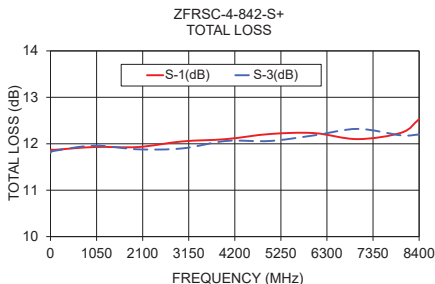
Parameter	Frequency (MHz)	Min.	Typ.	Max.	Unit
Frequency Range		DC		8400	MHz
Insertion Loss, above 12dB	DC - 3000	—	0.05	0.4	
	3000 - 6000	—	0.3	0.8	dB
	6000 - 8400	—	0.6	1.0	
	DC - 3000	—	6.0	—	
Isolation	3000 - 6000	—	6.4	—	dB
	6000 - 8400	—	6.4	—	
Phase Unbalance	DC - 3000	—	1.5	5.0	Degree
	3000 - 6000	—	4.0	9.0	
	6000 - 8400	—	5.0	10.0	
Amplitude Unbalance	DC - 3000	—	0.1	0.3	
	3000 - 6000	—	0.3	0.5	dB
	6000 - 8400	—	0.4	0.8	
VSWR (Port S)	DC - 3000	—	1.05	1.12	
	3000 - 6000	—	1.05	1.15	:1
	6000 - 8400	—	1.20	1.35	
VSWR (Port 1-4)	DC - 3000	—	1.08	1.20	
	3000 - 6000	—	1.15	1.25	:1
	6000 - 8400	—	1.25	1.45	

This is a resistive power divider to enable frequency coverage from DC to the highest rated frequency. Since resistive power divider do not provide a high degree of isolation (basically isolation equals the insertion loss between ports).

Typical Performance Data

Freq. (MHz)	Total Loss ¹ (dB)				Amp. Unbal. (dB)	Isolation (dB)			Phase Unbal. (deg.)	VSWR S	VSWR 1	VSWR 2	VSWR 3	VSWR 4
	S-1	S-2	S-3	S-4		1-2	2-3	3-4						
0	11.83	11.86	11.80	11.85	0.06	6.00	17.68	5.99	0.39	1.04	1.04	1.04	1.03	1.04
10	11.87	11.88	11.83	11.87	0.04	6.01	17.71	6.00	0.04	1.04	1.03	1.03	1.03	1.03
50	11.87	11.88	11.84	11.87	0.04	6.01	17.70	6.01	0.08	1.04	1.03	1.03	1.03	1.03
100	11.87	11.89	11.85	11.88	0.04	6.02	17.71	6.02	0.16	1.04	1.03	1.03	1.03	1.03
1000	11.93	11.91	11.96	11.91	0.05	6.09	17.87	6.09	1.07	1.04	1.04	1.04	1.06	1.04
2000	11.93	11.88	11.88	11.90	0.05	6.18	17.97	6.18	1.05	1.03	1.05	1.06	1.09	1.05
3000	12.05	12.01	11.90	12.00	0.15	6.37	18.34	6.39	2.23	1.02	1.04	1.08	1.11	1.06
4000	12.10	12.12	12.06	12.01	0.11	6.49	18.89	6.50	2.63	1.02	1.08	1.14	1.15	1.09
5000	12.21	12.25	12.06	12.13	0.19	6.47	18.99	6.49	4.52	1.05	1.15	1.18	1.15	1.12
6000	12.23	12.23	12.18	12.31	0.13	6.51	19.15	6.53	6.33	1.10	1.15	1.14	1.09	1.07
7000	12.10	12.05	12.32	12.33	0.28	6.47	19.96	6.50	6.41	1.08	1.12	1.04	1.06	1.06
8000	12.24	12.05	12.18	12.48	0.43	6.49	21.15	6.46	4.82	1.16	1.20	1.12	1.16	1.23
8400	12.53	12.26	12.20	12.55	0.35	6.66	21.24	6.76	5.48	1.26	1.27	1.17	1.23	1.28

1. Total Loss = Insertion Loss + 12dB splitter loss.



Notes

- Performance and quality attributes and conditions not expressly stated in this specification document are intended to be excluded and do not form a part of this specification document.
- Electrical specifications and performance data contained in this specification document are based on Mini-Circuit's applicable established test performance criteria and measurement instructions.
- The parts covered by this specification document are subject to Mini-Circuit's standard limited warranty and terms and conditions (collectively, "Standard Terms"); Purchasers of this part are entitled to the rights and benefits contained therein. For a full statement of the Standard Terms and the exclusive rights and remedies thereunder, please visit Mini-Circuit's website at www.minicircuits.com/WCLStore/terms.jsp

