

**ebm-papst Muldingen GmbH & Co. KG**

Bachmühle 2 · D-74673 Muldingen

Phone +49 7938 81-0

Fax +49 7938 81-110

info1@de.ebmpapst.com

www.ebmpapst.com

Limited partnership · Headquarters Muldingen
County court Stuttgart · HRA 590344General partner Elektrobau Muldingen GmbH · Headquarters Muldingen
County court Stuttgart · HRB 590142**Nominal data**

Type	W1G130-AA25-01		
Motor	M1G055-AI		
Phase		1~	1~
Nominal voltage	VAC	230	230
Frequency	Hz	50/60	50/60
Type of data definition		ml	ml
State		prelim.	prelim.
Speed	min ⁻¹	2800	3200
Power input	W	16	24
Current draw	A	0.13	0.19
Max. back pressure	Pa		90
Min. ambient temperature	°C	-30	-30
Max. ambient temperature	°C	70	70

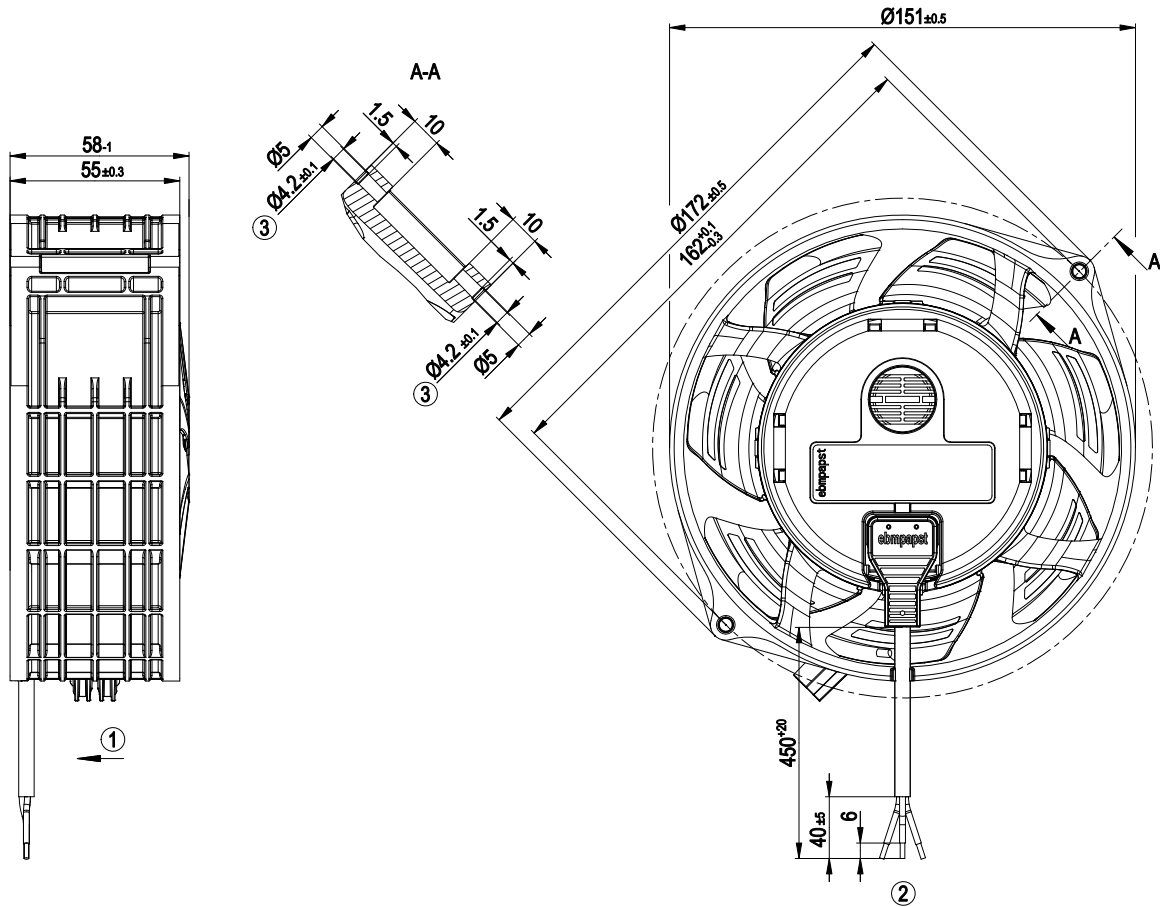
ml = Max. load · me = Max. efficiency · fa = Running at free air · cs = Customer specs · cu = Customer unit
Subject to alterations



Technical features

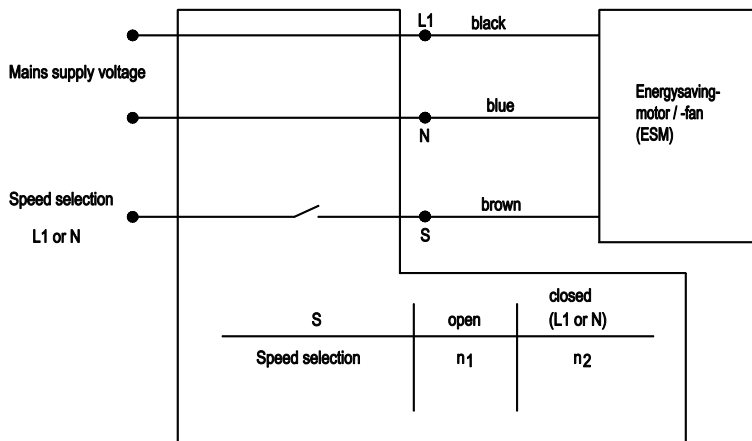
Mass	0.75 kg
Size	130 mm
Material of impeller	PA plastic
Material of wall ring	PP plastic
Number of blades	7
Direction of air flow	"V"
Direction of rotation	Counter-clockwise, seen on rotor
Type of protection	IP 54
Insulation class	"B"
Humidity class	F3-1
Max. permissible ambient motor temp. (transp./ storage)	+ 80 °C
Min. permissible ambient motor temp. (transp./storage)	- 40 °C
Mounting position	Any
Condensate discharge holes	None
Operation mode	S1
Motor bearing	Ball bearing
Technical features	<ul style="list-style-type: none"> - Speed selection max/min - Soft start - Over-temperature protected motor
Speed steps	2
EMC interference immunity	Acc. to EN 61000-6-2 (industrial environment)
EMC harmonics	Acc. to EN 61000-3-2/3
EMC interference emission	Acc. to EN 61000-6-3 (household environment)
Motor protection	Thermal overload protector (TOP) wired internally
Cable exit	Lateral
Protection class	II
Product conforming to standard	EN 60335-1; CE
Approval	CCC; CSA C22.2 Nr.77; EAC; UL 2111; VDE

Product drawing

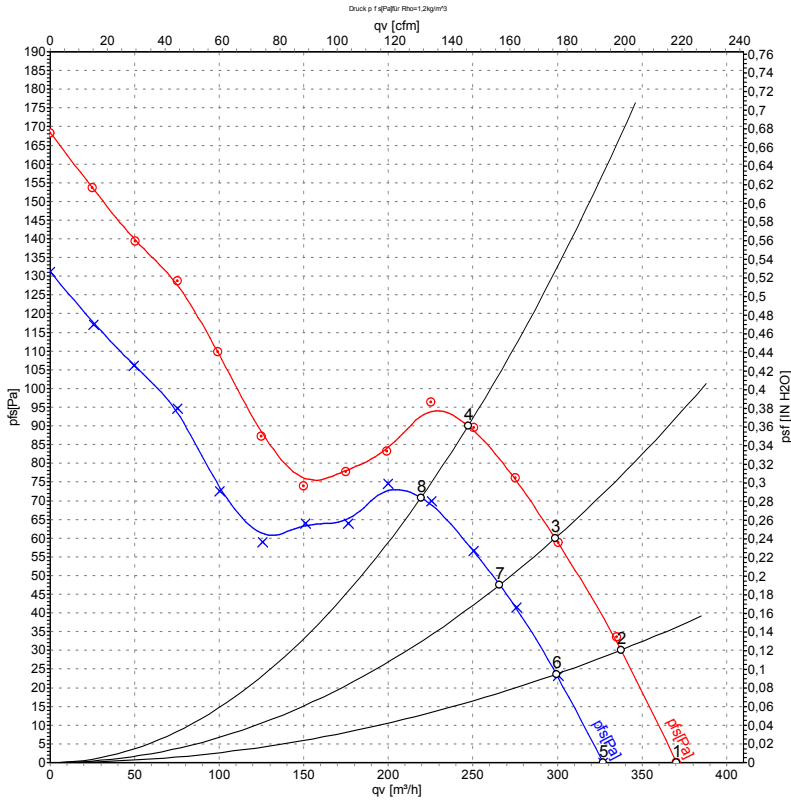


- 1 Direction of air flow "V"
- 2 Connection line PVC 3G AWG20, 3x brass lead tips crimped
- 3 Preferably use 2x Remform screws WN-156-2 5.0x16 Torx galvanised (Arnold). Alternatively use 2x metric M4 screw, mounting provided with nut

Connection screen



Charts: Air flow 50 Hz



Measurement: LU-139739
Measurement: LU-140010

Air performance measured as per ISO 5801 Installation category A. For detailed information on the measuring set-up, please contact ebm-papst. Suction-side noise levels: LwA measured as per ISO 13347 / LpA measured with 1m distance to fan axis. The values given are valid under the measuring conditions mentioned above and may vary according to the actual installation situation. With any deviation from the standard set-up, the specific values have to be checked and reviewed with the unit installed.

Measured values

	U	f	n	P _{ed}	I	LpA _{in}	LwA _{in}	qv	p _{fs}
	V	Hz	min ⁻¹	W	A	dB(A)	dB(A)	m ³ /h	Pa
1	230	50	3200	23	0.19	55	63	370	0
2	230	50	3200	24	0.19	53	61	340	30
3	230	50	3200	24	0.19	51	60	300	60
4	230	50	3200	24	0.19	54	63	245	90
5	230	50	2800	16	0.13	51	60	325	0
6	230	50	2800	16	0.13	50	58	300	24
7	230	50	2800	16	0.13	48	57	265	48
8	230	50	2800	16	0.13	51	60	220	71

U = Supply voltage · f = Frequency · n = Speed · P_{ed} = Power input · I = Current draw · LpA_{in} = Sound pressure level inlet side · LwA_{in} = Sound power level inlet side · qv = Air flow
p_{fs} = Pressure increase

