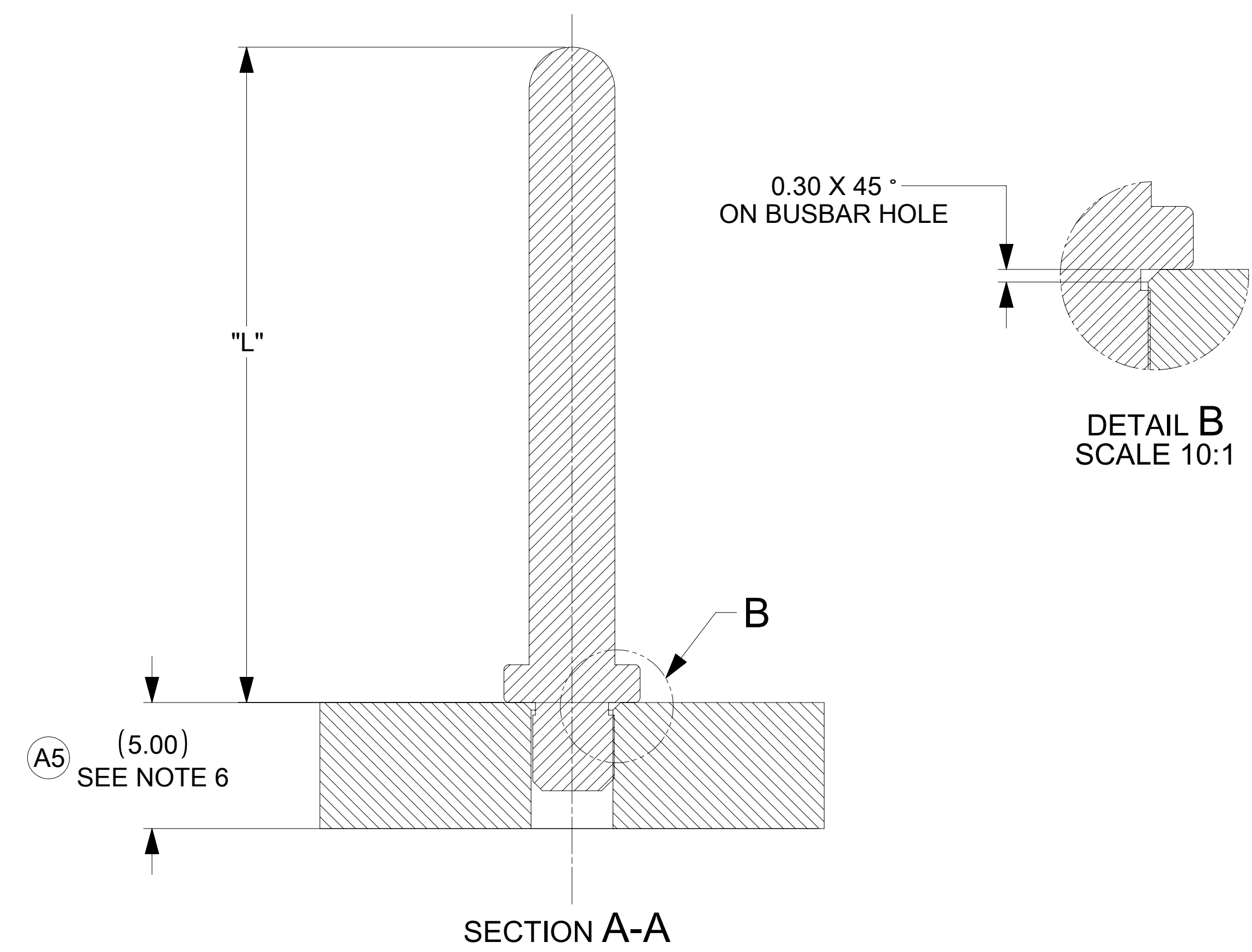
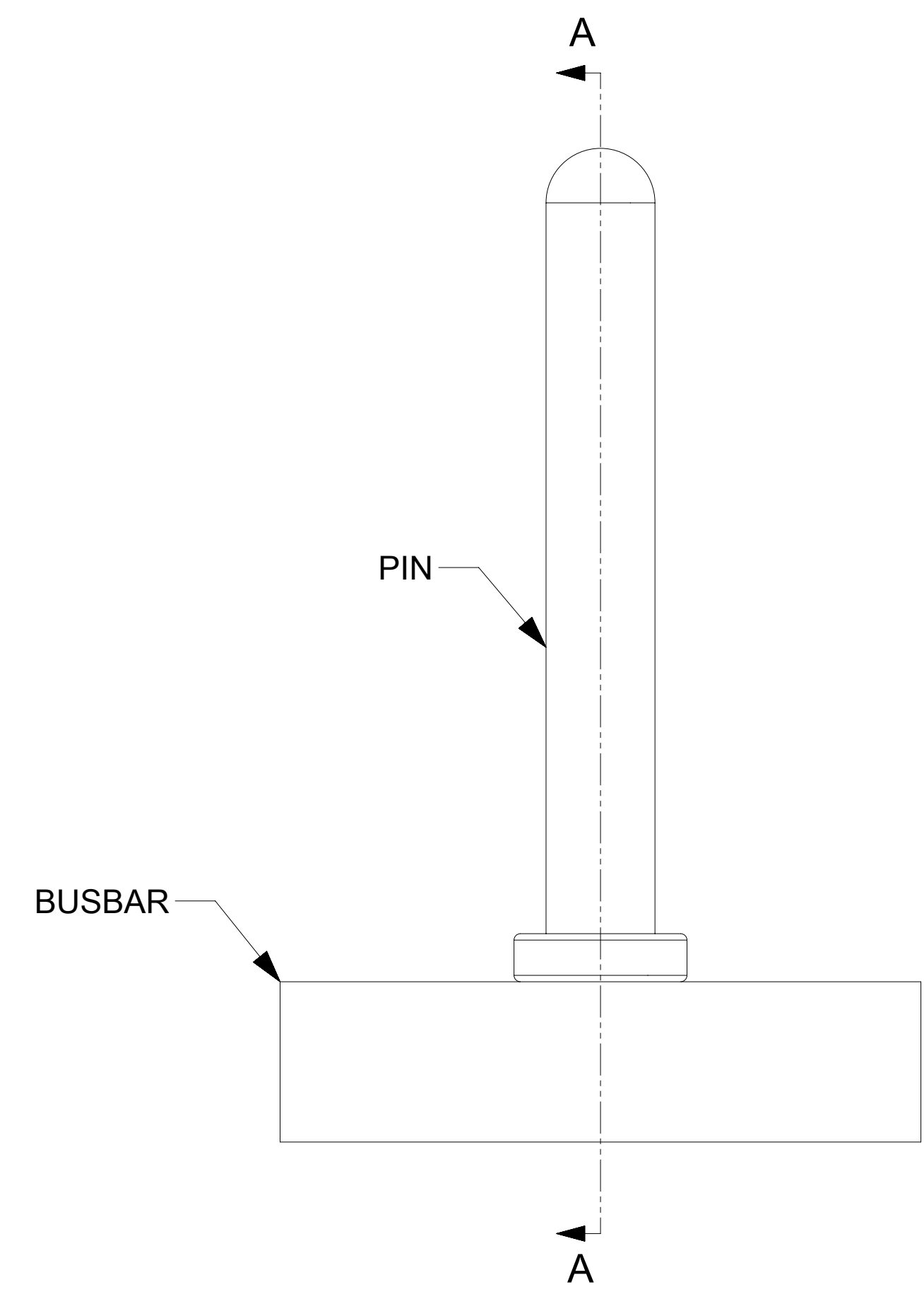
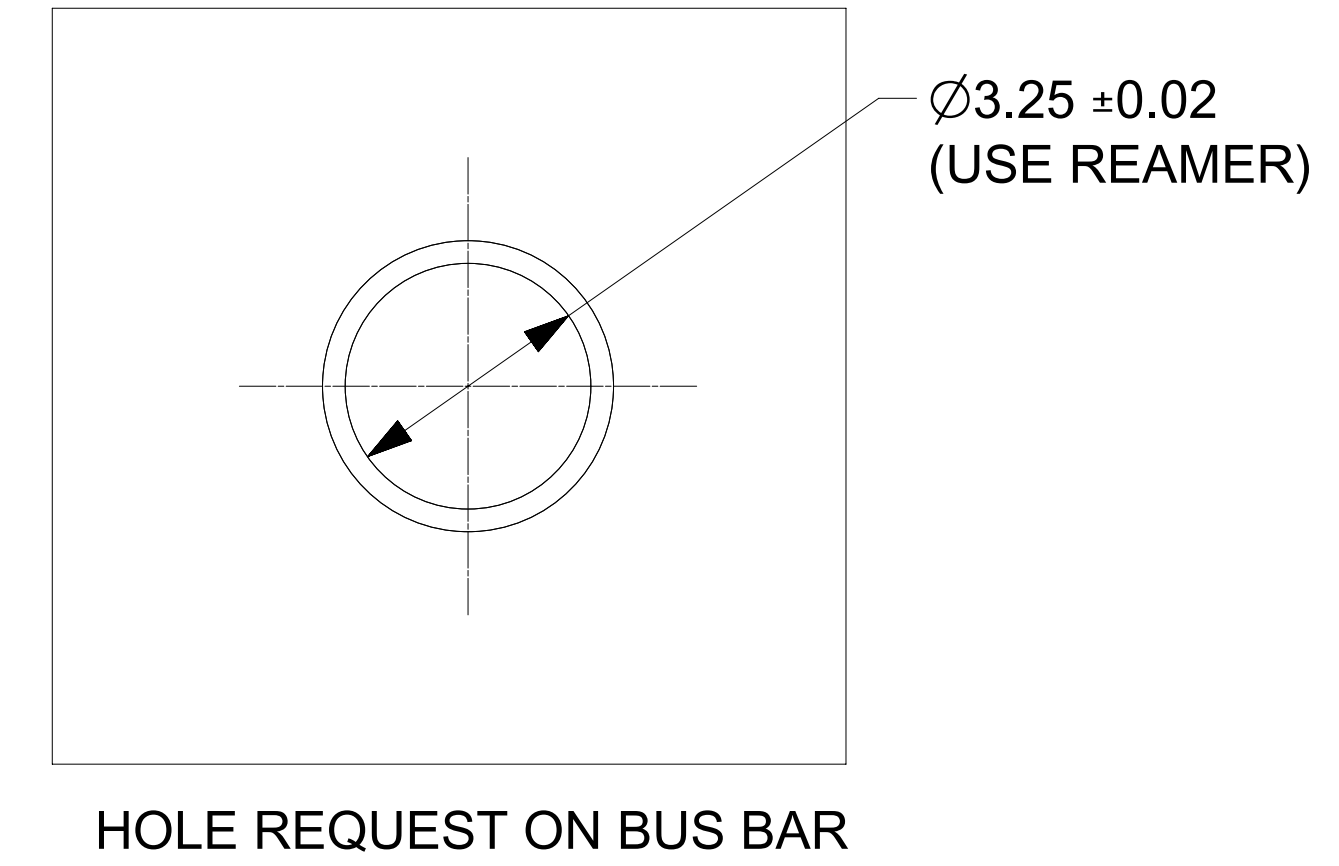
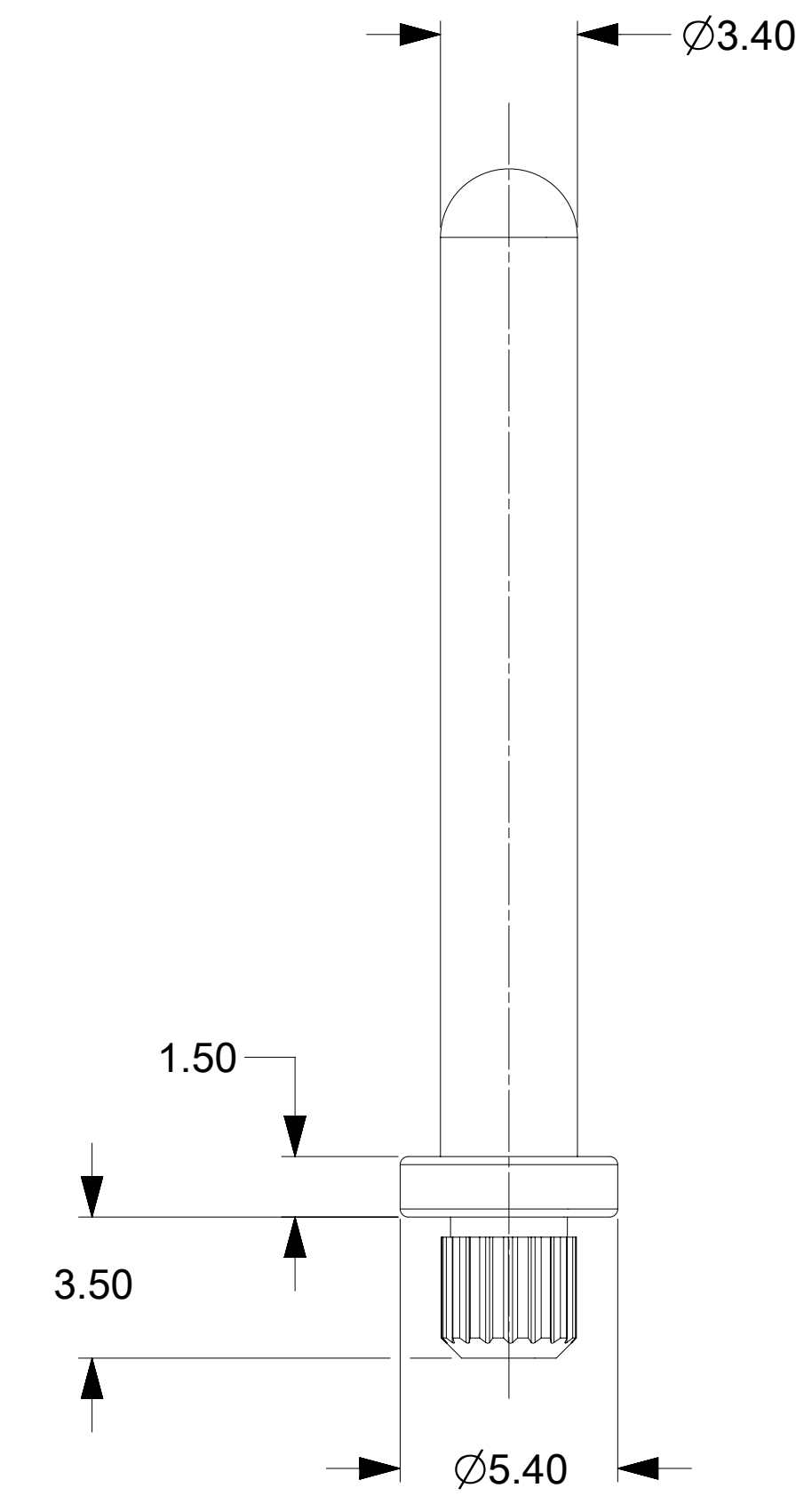
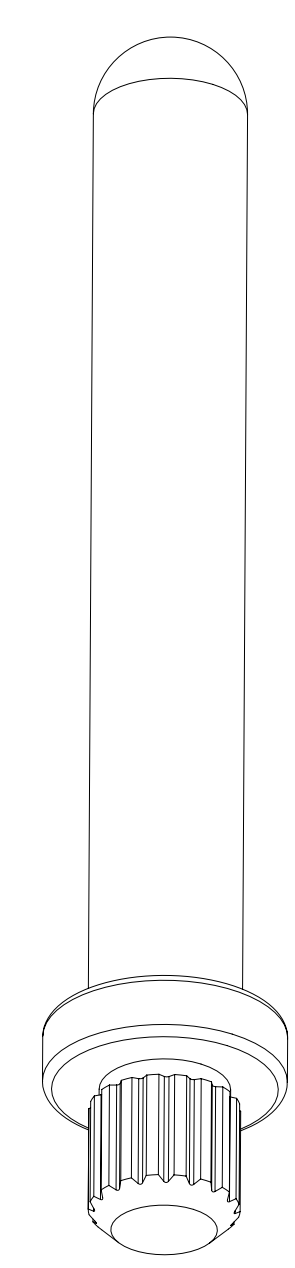


PART NUMBER	DIMENSION L
203263-0234	16.00
203263-0034	26.00
203263-0334	36.00
203263-0434	46.00
203263-0534	20.00
203263-0934	48.00
203263-0734	12.00

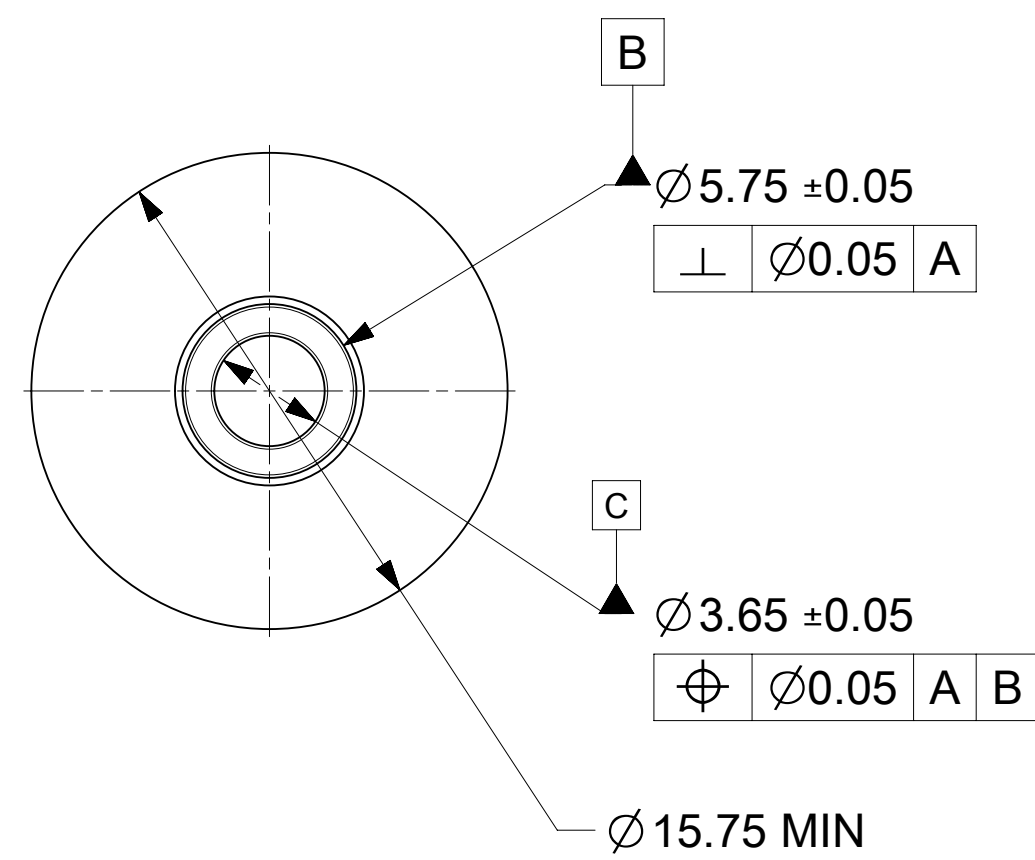
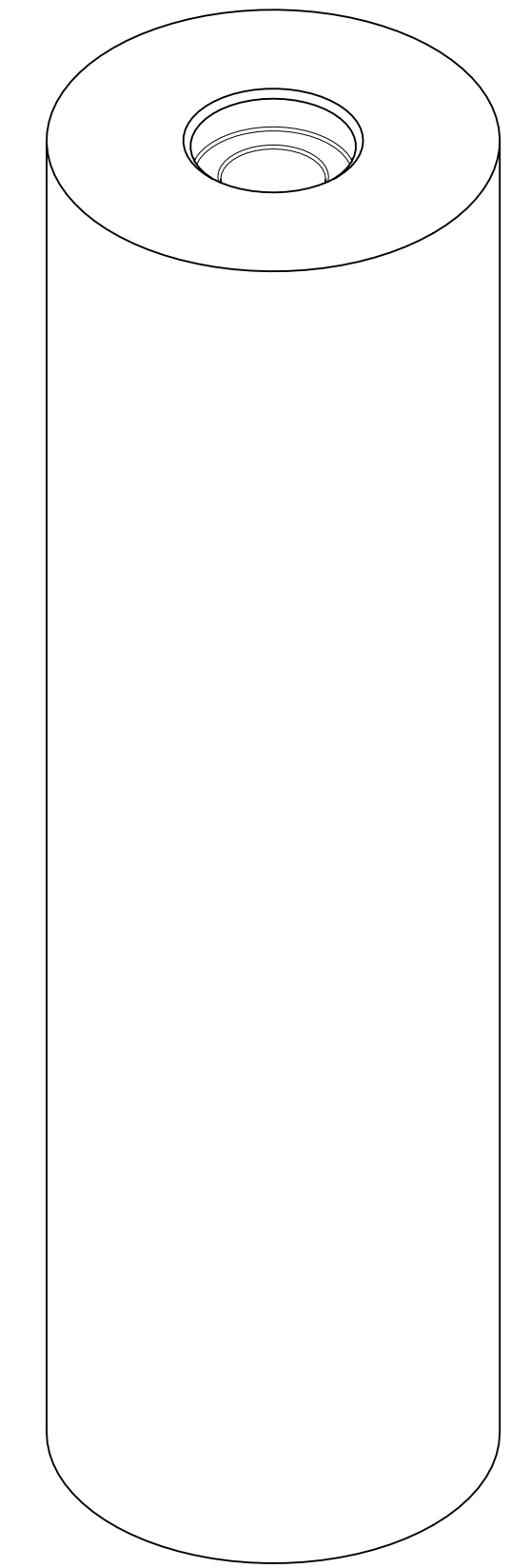
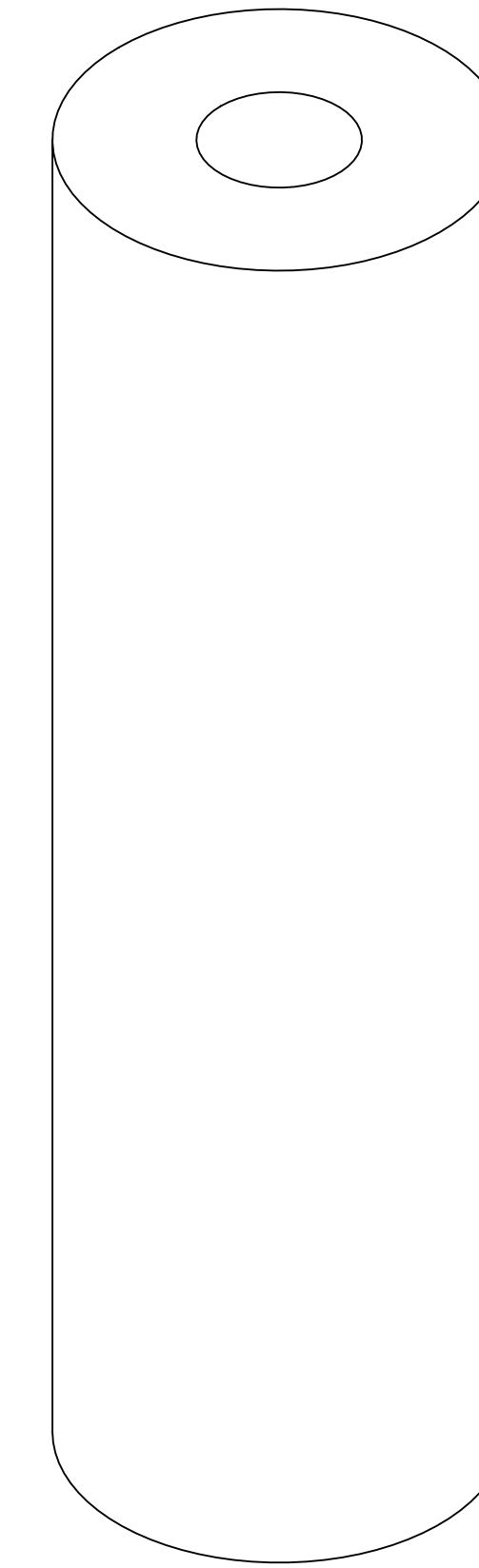
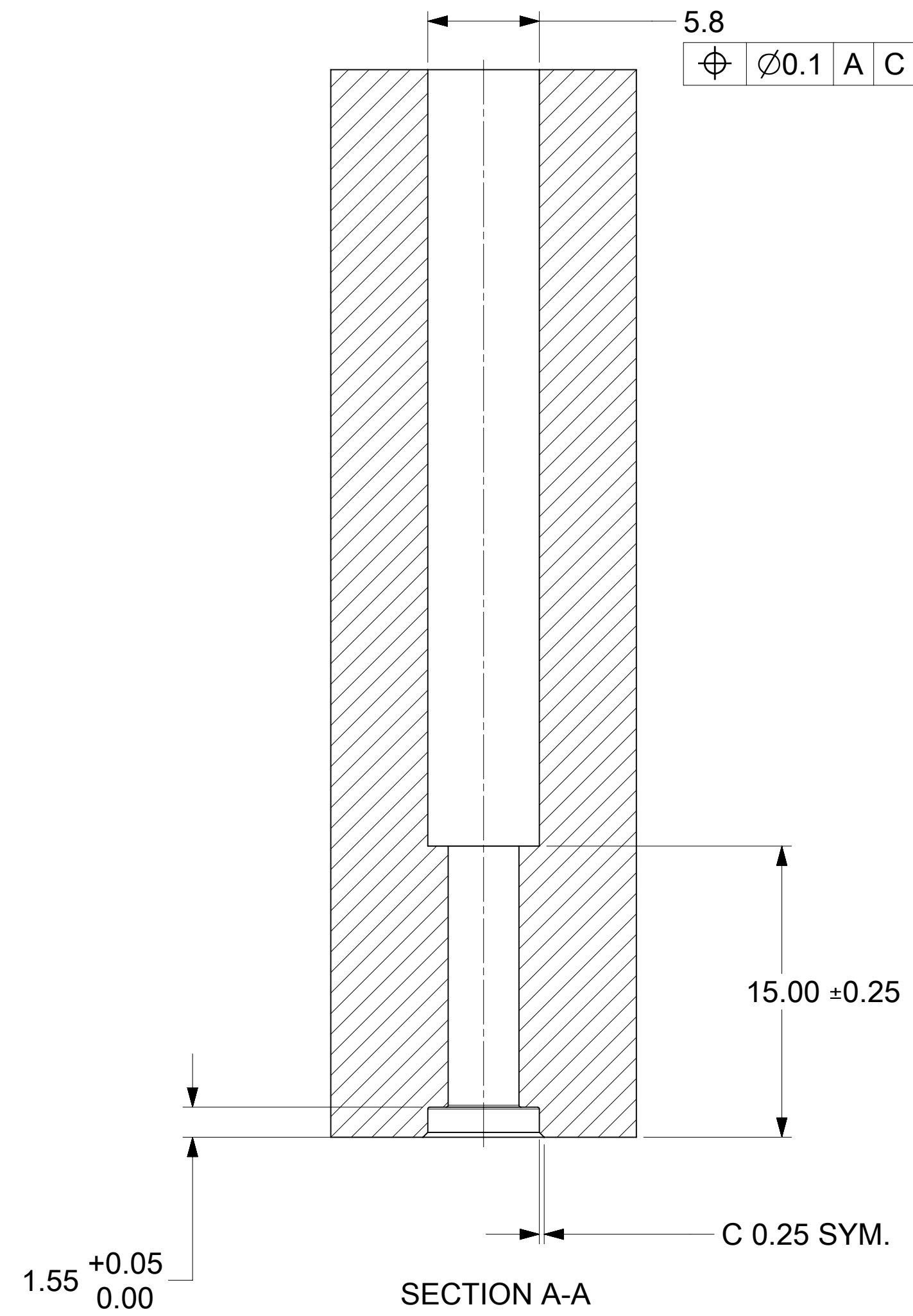
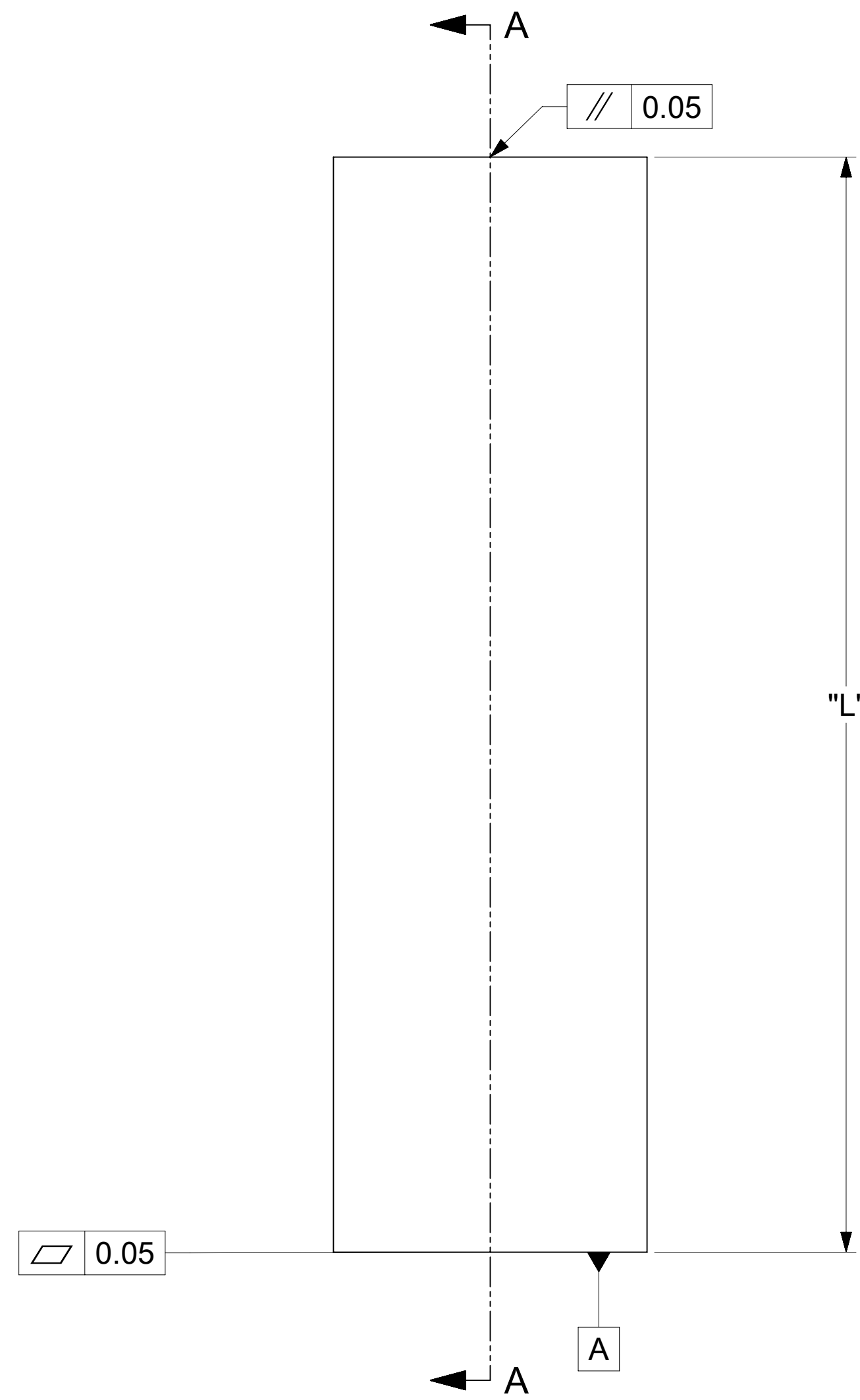


NOTES :



- MATERIAL:
  - BASE METAL: HIGH CONDUCTIVE COPPER ALLOY
  - PLATING ON BODY: 3.18 MICRON MIN SILVER OVER 1.27 MICRON MIN NICKEL
- PRODUCT SPECIFICATION: 2043130018-PS
- APPLICATION SPECIFICATION: 2043130018-AS
- PACKAGING SPECIFICATION: 2032630006-PK
- SILVER COMPONENTS WILL BE SUPPLIED TARNISH FREE BUT MAY TARNISH OVER TIME.
- MINIMUM RECOMMENDED BUSBAR THICKNESS IS 1.5MM

THIS DRAWING CONTAINS INFORMATION THAT IS PROPRIETARY TO MOLEX ELECTRONIC TECHNOLOGIES, LLC AND SHOULD NOT BE USED WITHOUT WRITTEN PERMISSION											
DIMENSION UNITS	SCALE	CURRENT REV DESC: ADDED NEW PART NUMBER -0734									
mm	10:1	<div style="text-align: center;"><b>molex</b></div> SENTRALITY 3.40MM MALE TERMINAL PRESS-FIT PRODUCT CUSTOMER DRAWING									
GENERAL TOLERANCES (UNLESS SPECIFIED)											
ANGULAR TOL	± 0.5°										
4 PLACES	±										
3 PLACES	±										
2 PLACES	± 0.15										
1 PLACE	± 0.25	EC NO: 784003	2024/04/16			2024/04/29			2024/05/03		
0 PLACES	±	DRWN: AKASHM6	2019/04/01			2019/06/10			2019/06/10		
DRAFT WHERE APPLICABLE MUST REMAIN WITHIN DIMENSIONS		THIRD ANGLE PROJECTION		DRAWING		SERIES		MATERIAL NUMBER		CUSTOMER	
		D-SIZE		203263		SEE TABLE		GENERAL MARKET		SHEET NUMBER	
										1 OF 1	

PIN LENGTH RANGE IN MM	DIMENSION "L" IN MM
UPTO 20	25.0
20-30	35.0
30-40	45.0
40-50	55.0



- NOTES:  
 1. MATERIAL: STAINLESS STEEL  
 2. BREAK ALL SHARP CORNERS AND EDGES

THIS DRAWING CONTAINS INFORMATION THAT IS PROPRIETARY TO MOLEX ELECTRONIC TECHNOLOGIES, LLC AND SHOULD NOT BE USED WITHOUT WRITTEN PERMISSION									
DIMENSION UNITS	SCALE	CURRENT REV DESC: INITIAL RELEASE							
mm	4:1	 CENTRALITY APPLICATION TOOLING FOR 3.4MM PIN PRODUCT CUSTOMER DRAWING							
GENERAL TOLERANCES (UNLESS SPECIFIED)									
ANGULAR TOL	± 0.5°								
4 PLACES	±								
3 PLACES	±								
2 PLACES	± 0.05	EC NO: 771891	2022/04/11		DOCUMENT NUMBER		DOC TYPE	DOC PART	REVISION
1 PLACE	± 0.1	DRWN: SOURAJ	2022/04/11		2192590003-SD		PSD	000	A
0 PLACES	±	APPR: KPRASAD	2023/12/19		2192590003		GENERAL MARKET		1 OF 1
DRAFT WHERE APPLICABLE MUST REMAIN WITHIN DIMENSIONS		THIRD ANGLE PROJECTION	DRAWING	SERIES	MATERIAL NUMBER	CUSTOMER	SHEET NUMBER		
			D-SIZE	219259	2192590003	GENERAL MARKET	1 OF 1		