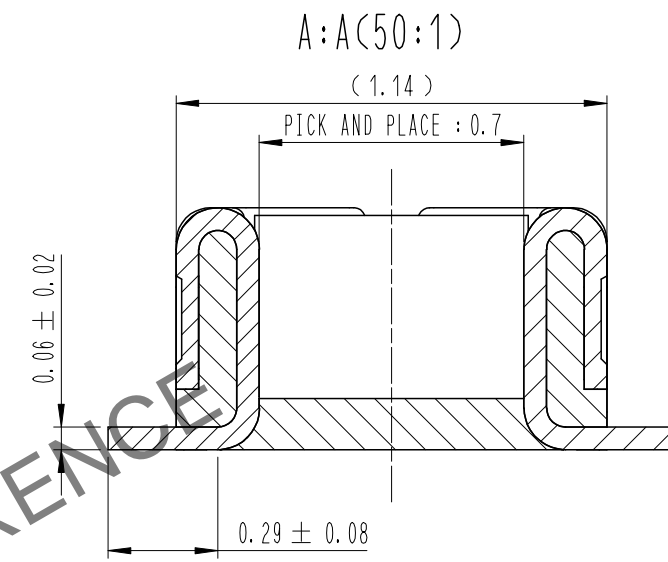
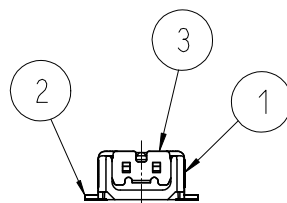
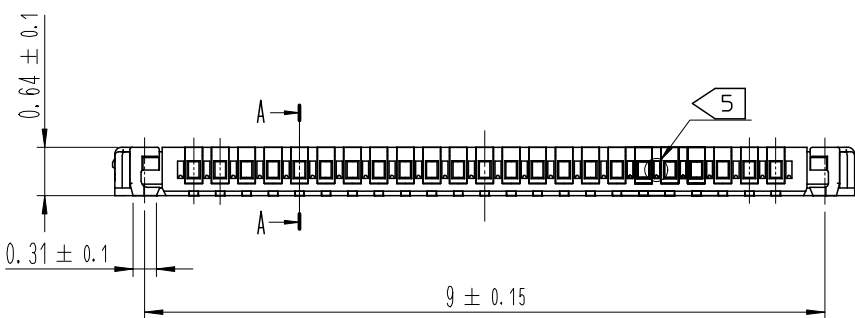
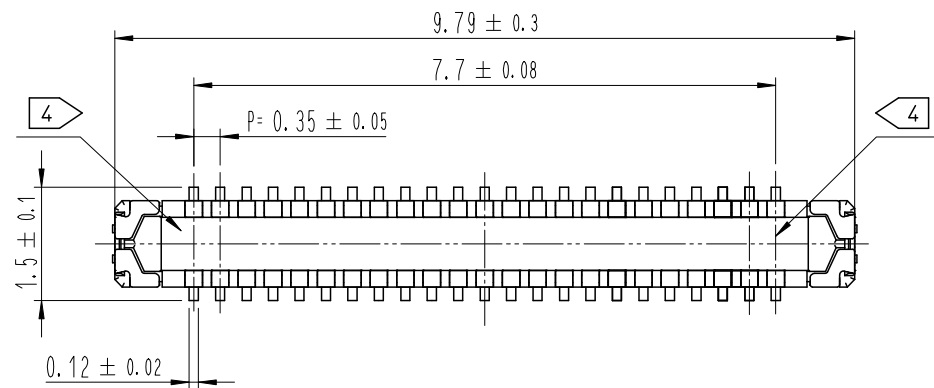
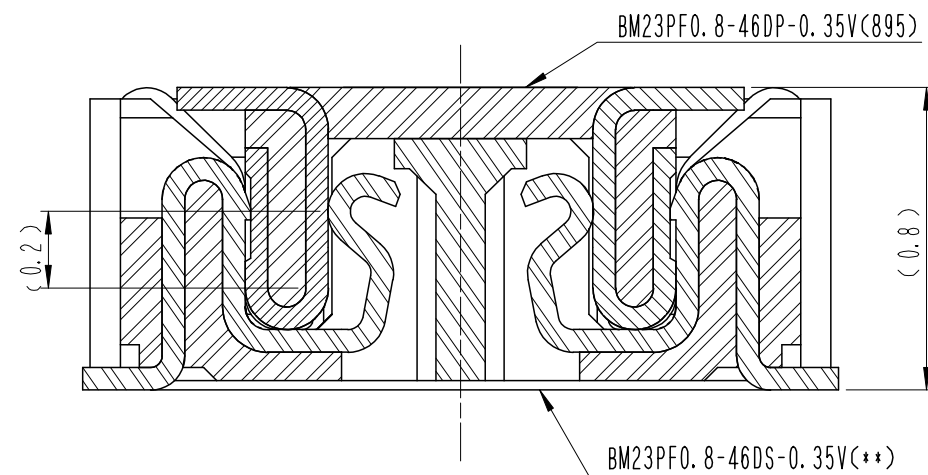


Jun.1.2024 Copyright 2024 HIROSE ELECTRIC CO., LTD. All Rights Reserved.
In case of consideration for using Automotive equipment / device which demand high reliability, kindly contact our sales window correspondents.

| △數 COUNT | 訂正事項 DESCRIPTION OF REVISIONS | 擔當 B | 檢圖 CHKD | 年月日 DATE | △數 COUNT | 訂正事項 DESCRIPTION OF REVISIONS | 擔當 B | 檢圖 CHKD | 年月日 DATE |
|-------------|----------------------------------|---------|------------|-------------|-------------|----------------------------------|---------|------------|-------------|
| △ | | | | | △ | | | | |
| △ | | | | | △ | | | | |
| △ | | | | | △ | | | | |



ENGAGEMENT FIGURE (50:1)



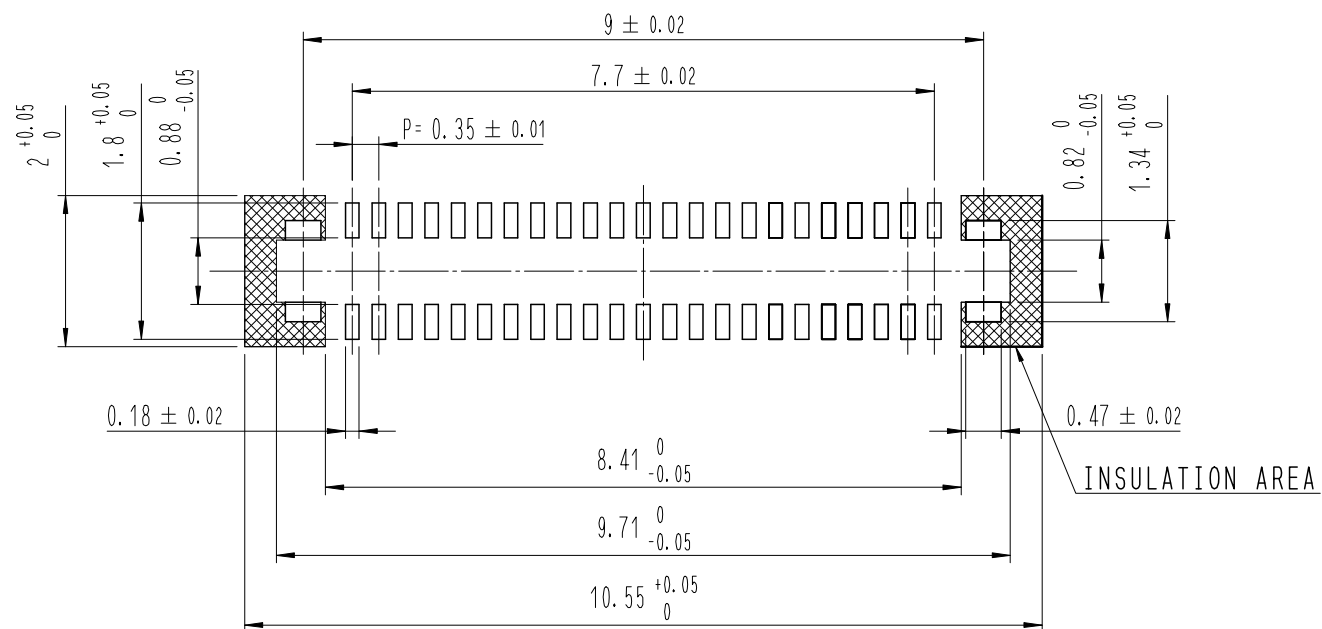
DRAWING FOR REFERENCE
This is subject to change without notice

- NOTE
- 1. ALL LEAD CO-PLANARITY SHALL BE 0.08mm MAX.
 - 2. CONTACT PLATING SPECIFICATIONS.
CONTACT AREA : GOLD 0.05 μm MIN.
SMT LEAD : GOLD 0.05 μm MIN.
UNDER PLATING : NICKEL 1 μm MIN.
(SURFACE : SEALING)
 - 3. METAL FITTING PLATING SPECIFICATIONS.
SMT LEAD : GOLD 0.05 μm MIN.
UNDERPLATING : NICKEL 1 μm MIN.
(SURFACE : SEALING)
 - 4. HRS MARK AND CAV No. ARE INDICATED IN APPROX POSITION SHOWN.
 - 5. A PART OF THE WALL COULD BE NOTCHED.

| 4 | PS | CLEAR (EMBOSSED CARRIER TAPE) | | | | | | | | |
|----------------|----------------------------|-------------------------------|------------------------------------|-----------|----------------------|------------|------------|----------|------------|----------|
| 3 | COPPER ALLOY | 3 | | | | | | | | |
| 2 | COPPER ALLOY | 2 | 6 | PS | BLACK (PLASTIC REEL) | | | | | |
| 1 | LCP | UL94 V-0, BLACK | 5 | POLYESTER | CLEAR (COVER TAPE) | | | | | |
| NO. | MATERIAL | FINISH, REMARKS | NO. | MATERIAL | FINISH, REMARKS | | | | | |
| REMARKS | | | | | | DRAWN | DESIGNED | CHECKED | APPROVED | RELEASED |
| | | | | | | S. H. JUNG | S. H. JUNG | H. W. JO | T. S. KANG | 17.05.09 |
| | | | | | | 17.05.09 | 17.05.09 | 17.05.09 | 17.05.09 | |
| CODE NO. (OLD) | DRAWING NO. EDC3-632257 | | PART NO. BM23PF0.8-46DP-0.35V(895) | | | | | | | |
| SCALE 10:1 | HRS HIROSE KOREA CO., LTD. | | CODE NO. CL 6644-0088-5-895 | | | 1/3 | | | | |
| UNITS mm | | | | | | | | | | |

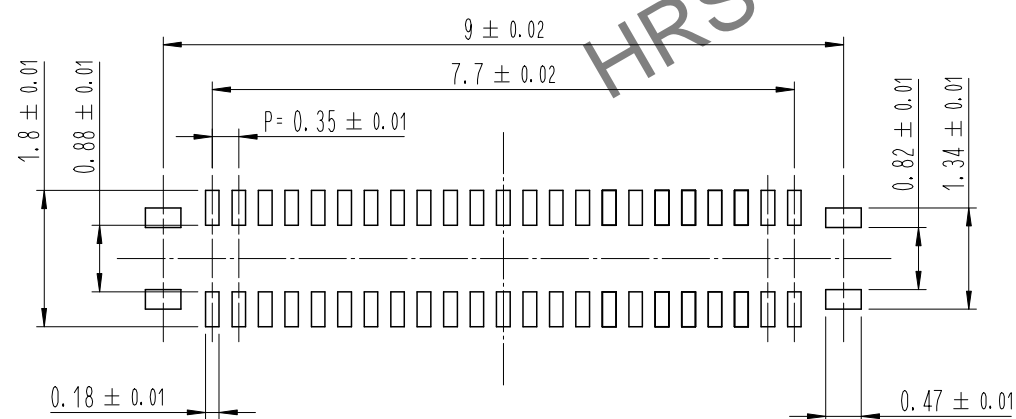
Jun.1.2024 Copyright 2024 HIROSE ELECTRIC CO., LTD. All Rights Reserved.
 In case of consideration for using Automotive equipment / device which demand high reliability, kindly contact our sales window correspondents.

7 RECOMMENDED PCB LAYOUT

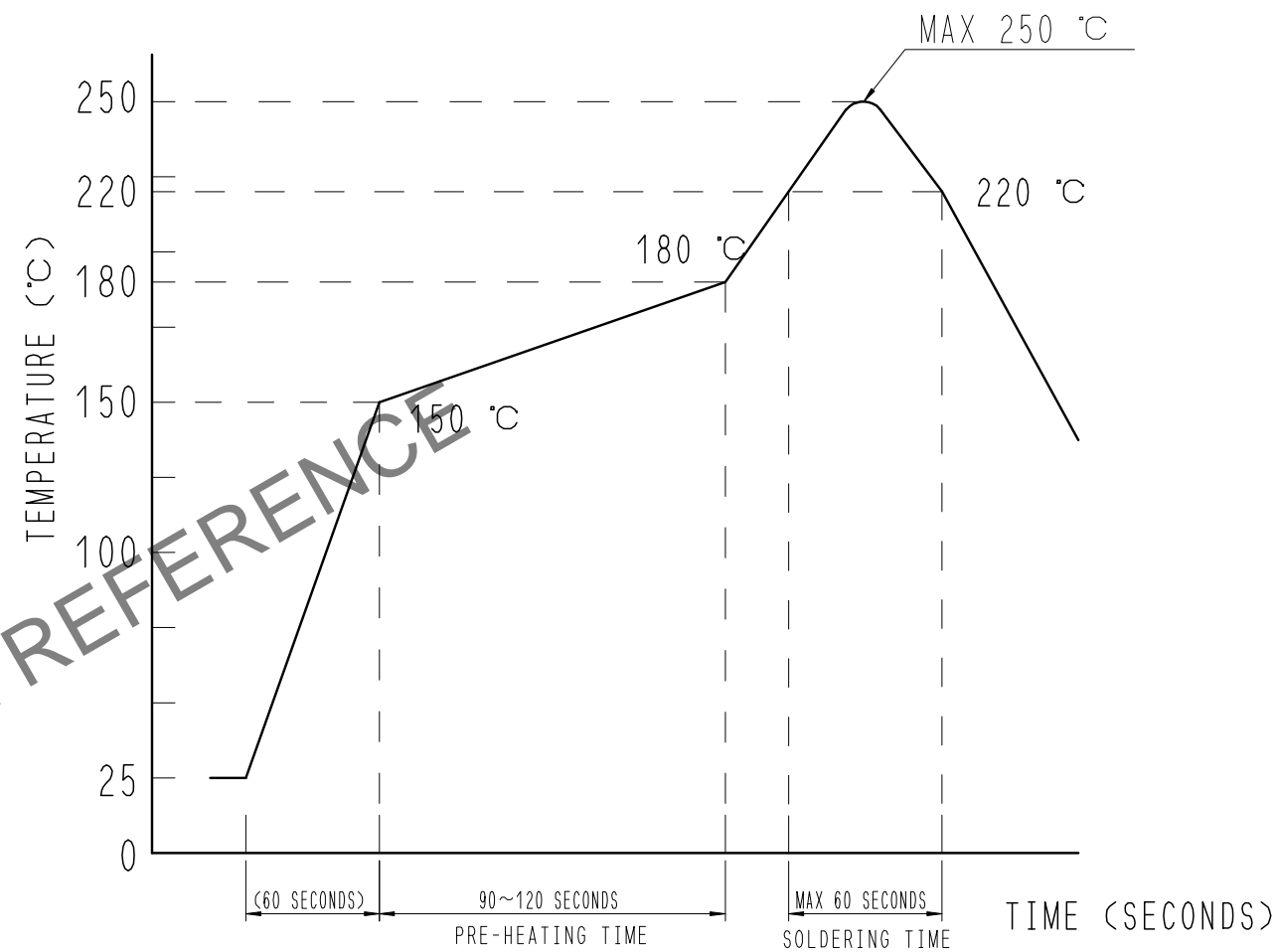


RECOMMENDED METAL MASK DIMENSIONS

METAL MASK THICKNESS : 100 μm



6 RECOMMENDED REFLOW TEMPERATURE PROFILE USING LEAD-FREE SOLDER PASTE.

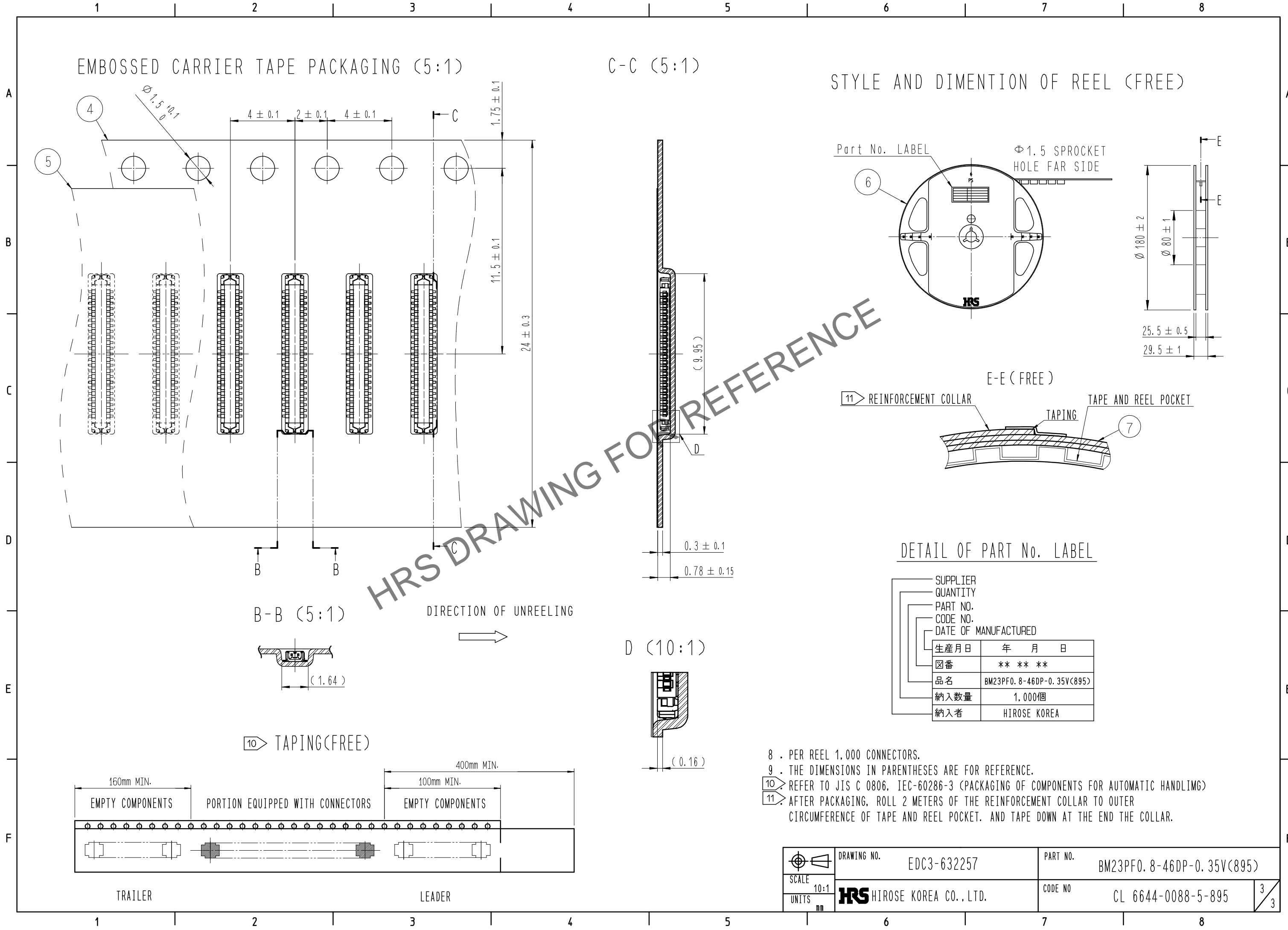


REFLOW METHOD: N2 REFLOW
 NUMBER OF REFLOW CYCLES: 2 CYCLES MAX.
 1) REFLOW TIME
 DURATION ABOVE 220°C: 60 SEC MAX.
 (PEAK TEMPERATURE: 250°C MAX)
 2) PRE-HEAT TIME
 PRE-HEAT TEMPERATURE(MIN): 150°C
 PRE-HEAT TEMPERATURE(MAX): 180°C
 PRE-HEAT TIME: 90-120 SEC.

- 6 THIS TEMPERATURE PROFILE IS PER THE CONDITIONS SHOWN ABOVE. ADDITIONAL FACTORS, SUCH AS SOLDER PASTE TYPE, PCB SIZE AND OTHER MOUNTED COMPONENTS COULD AFFECT THE PROFILE. THEREFORE, A THOROUGH EVALUATION OF MOUNTING CONDITION IS REQUIRED PRIOR TO PRODUCTION. TEMPERATURE IS MEASURED AT CONTACT LEAD.
- 7 PLEASE CONTACT US IN CASE YOU WILL MAKE DIFFERENT SETTINGS FROM OUR RECOMMENDATION.

| | | | | |
|------------------------------|------------------------|-------------|----------|---------------------------|
| SCALE 10:1 UNITS mm | DRAWING NO. | EDC3-632257 | PART NO. | BM23PF0.8-46DP-0.35V(895) |
| | HIROSE KOREA CO., LTD. | | CODE NO. | CL 6644-0088-5-895 |

Jun.1.2024 Copyright 2024 HIROSE ELECTRIC CO., LTD. All Rights Reserved.
In case of consideration for using Automotive equipment / device which demand high reliability, kindly contact our sales window correspondents.



8 . PER REEL 1,000 CONNECTORS.
 9 . THE DIMENSIONS IN PARENTHESES ARE FOR REFERENCE.
 10 REFER TO JIS C 0806, IEC-60286-3 (PACKAGING OF COMPONENTS FOR AUTOMATIC HANDLING)
 11 AFTER PACKAGING, ROLL 2 METERS OF THE REINFORCEMENT COLLAR TO OUTER CIRCUMFERENCE OF TAPE AND REEL POCKET. AND TAPE DOWN AT THE END THE COLLAR.

| | |
|----------------------|---------------------------|
| SUPPLIER | |
| QUANTITY | |
| PART NO. | |
| CODE NO. | |
| DATE OF MANUFACTURED | |
| 生産月日 | 年 月 日 |
| 図番 | ** ** * |
| 品名 | BM23PF0.8-46DP-0.35V(895) |
| 納入数量 | 1,000個 |
| 納入者 | HIROSE KOREA |

| | | | | |
|---------------|-------------|----------------------------|----------|-------------------------------|
| SCALE 10:1 | DRAWING NO. | EDC3-632257 | PART NO. | BM23PF0.8-46DP-0.35V(895) |
| | UNITS mm | HRS HIROSE KOREA CO., LTD. | | CODE NO CL 6644-0088-5-895 |