

FT NUT M25 BU - Nut



1049831

<https://www.phoenixcontact.com/us/products/1049831>

Please be informed that the data shown in this PDF document is generated from our online catalog. Please find the complete data in the user documentation. Our general terms of use for downloads are valid.

Nut, Range of articles: PRC 35, color: blue, NOTE: For indoor use only



Product description

Nut for color-coding device interfaces

Your advantages

- Color coding for PRC connectors
- Easy installation
- Other colors available on request

Commercial data

| | |
|--------------------------------------|---------------|
| Item number | 1049831 |
| Packing unit | 10 pc |
| Minimum order quantity | 10 pc |
| Sales key | AB03 |
| Product key | ABL CZB |
| GTIN | 4055626662992 |
| Weight per piece (including packing) | 3.22 g |
| Weight per piece (excluding packing) | 3.22 g |
| Customs tariff number | 39269097 |
| Country of origin | PL |

Technical data

Notes

| | |
|--------------------|---|
| Notes on operation | NOTE: For indoor use only |
| Safety note | <ul style="list-style-type: none"> • WARNING: Commission properly functioning products only. The products must be regularly inspected for damage. Decommission defective products immediately. Replace damaged products. Repairs are not possible. • WARNING: Only electrically qualified personnel may install and operate the product. They must observe the following safety notes. The qualified personnel must be familiar with the basics of electrical engineering. They must be able to recognize and prevent danger. The relevant symbol on the packaging indicates that only personnel familiar with electrical engineering are allowed to install and operate the product. <p>WARNING: The connectors may not be plugged in or disconnected under load. Ignoring the warning or improper use may damage persons and/or property.</p> <ul style="list-style-type: none"> • Assembled products may not be manipulated or improperly opened. • Only use mating connectors that are specified in the technical data of the standards listed (e.g. the ones listed in the product accessories online at phoenixcontact.com/products). • When using the product in direct connection with third-party manufacturers, the user is responsible. • For operating voltages > 50 V AC, conductive connector housings must be grounded • Ensure that the protective or functional ground has been properly connected. • VDE 0100/1.97 § 411.1.3.2 and DIN EN 60 204/11.98 § 14.1.3 are applicable when combining several circuits in a cable and/or connector • Observe the corresponding technical data. You will find information: <ul style="list-style-type: none"> o On the product o On the packing label o In the supplied documentation o Online at phoenixcontact.com/products under the product • Only use tools recommended by Phoenix Contact • The installation notes/Design In documents online on the download page at phoenixcontact.com/products must be observed for this product. • Use a protective cap to protect connectors that are not in use. The suitable accessories are available online in the accessory section of the product at phoenixcontact.com/products • Operate the connector only when it is fully plugged in. • Operate the connector only when it is fully plugged in and interlocked. • Ensure that when laying the cable, the tensile load on the connectors does not exceed the upper limit specified in the standards. |

FT NUT M25 BU - Nut

1049831

<https://www.phoenixcontact.com/us/products/1049831>

- Observe the minimum bending radius of the cable. Lay the cable without twisting it.
- The connector warms up in normal operation. Depending on the ambient conditions, the surface of the connector can continue to warm up. In this case, the user is responsible for posting warnings (e.g. DIN EN ISO 13732-1:2008-12).

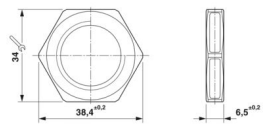
Product properties

| | |
|----------------|--------------------|
| Product type | Panel feed-through |
| Product family | PRC 35 |

Insulation characteristics

| | |
|---------------------|----|
| Protection class | II |
| Degree of pollution | 2 |

Dimensions

| | |
|------------------------|---|
| Dimensional drawing |  |
| Width | 6.5 mm |
| Height | 38.4 mm |
| Length | 34 mm |
| Wrench size, union nut | 34 mm |

Material specifications

| | |
|--|------|
| Color | blue |
| Flammability rating according to UL 94 | V0 |
| Material for screw connection | PA |

Environmental and real-life conditions

Ambient conditions

| | |
|---|------------------|
| Ambient temperature (operation) | -40 °C ... 85 °C |
| Ambient temperature (storage/transport) | -20 °C ... 65 °C |
| Ambient temperature (assembly) | -5 °C ... 85 °C |

FT NUT M25 BU - Nut

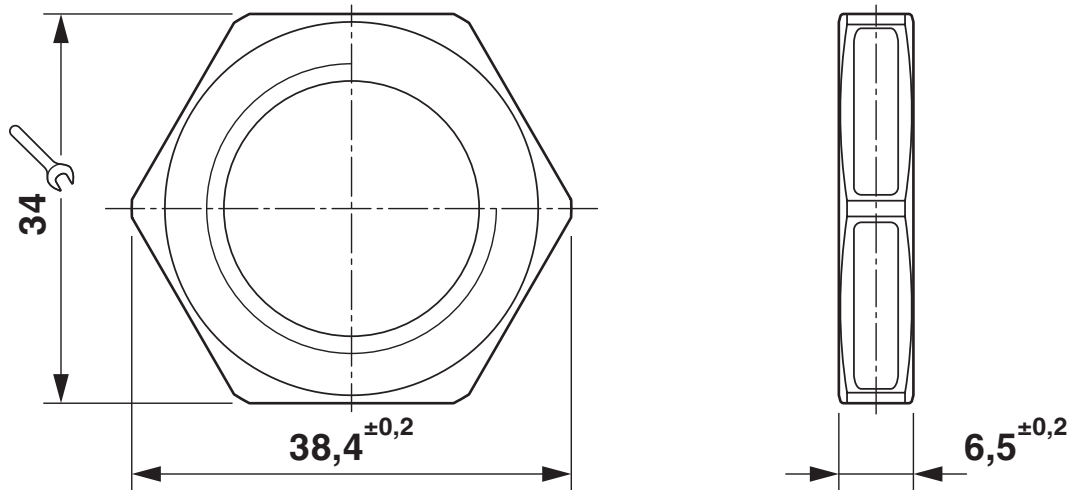
1049831

<https://www.phoenixcontact.com/us/products/1049831>



Drawings

Dimensional drawing



FT NUT M25 BU - Nut



1049831

<https://www.phoenixcontact.com/us/products/1049831>

Classifications

ECLASS

| | |
|-------------|----------|
| ECLASS-11.0 | 27440109 |
| ECLASS-12.0 | 27440109 |
| ECLASS-13.0 | 27440109 |

ETIM

| | |
|----------|----------|
| ETIM 8.0 | EC003569 |
|----------|----------|

UNSPSC

| | |
|-------------|----------|
| UNSPSC 21.0 | 39121400 |
|-------------|----------|

FT NUT M25 BU - Nut



1049831

<https://www.phoenixcontact.com/us/products/1049831>

Environmental product compliance

EU RoHS

| | |
|---|--------------------|
| Fulfills EU RoHS substance requirements | Yes, No exemptions |
|---|--------------------|

China RoHS

| | |
|--|--|
| Environment friendly use period (EFUP) | EFUP-E |
| | No hazardous substances above the limits |

EU REACH SVHC

| | |
|-------------------------------------|----------------------------|
| REACH candidate substance (CAS No.) | No substance above 0.1 wt% |
|-------------------------------------|----------------------------|

FT NUT M25 BU - Nut

1049831

<https://www.phoenixcontact.com/us/products/1049831>



Accessories

PRC 5-FT25-MC WO NUT - Device connector rear mounting

1627609

<https://www.phoenixcontact.com/us/products/1627609>



Device connector rear mounting, Range of articles: PRC 35, housing material: PPE, color: black, number of positions: 5, rated voltage: 690 V AC, rated current: 35 A, Connection method: Crimp connection, Contact connection type: Pin, Nut must be ordered separately

PRC 3-FT25-MC WO NUT - Device connector rear mounting

1627608

<https://www.phoenixcontact.com/us/products/1627608>



Device connector rear mounting, Range of articles: PRC 35, housing material: PPE, color: black, number of positions: 3, rated voltage: 690 V AC, rated current: 35 A, Connection method: Crimp connection, Contact connection type: Pin, Nut must be ordered separately

Phoenix Contact 2024 © - all rights reserved

<https://www.phoenixcontact.com>

Phoenix Contact USA

586 Fulling Mill Road

Middletown, PA 17057, United States

(+717) 944-1300

info@phoenixcon.com