

THIS DRAWING IS UNPUBLISHED.

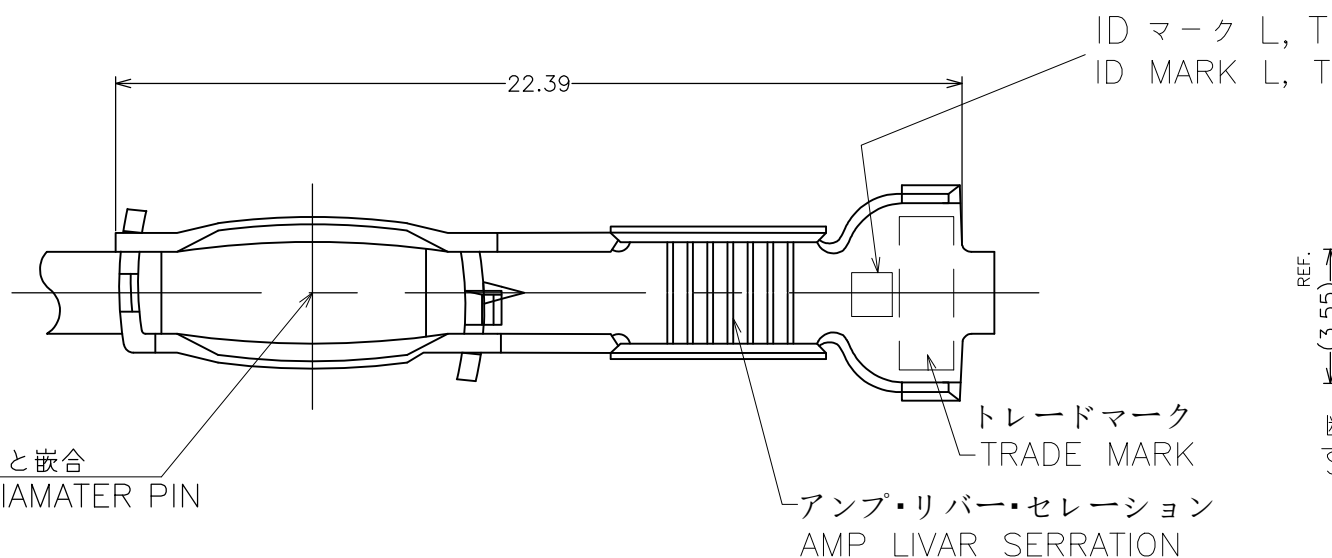
RELEASED FOR PUBLICATION , NOV 07

© COPYRIGHT 2011 Tyco Electronics Japan G.K.

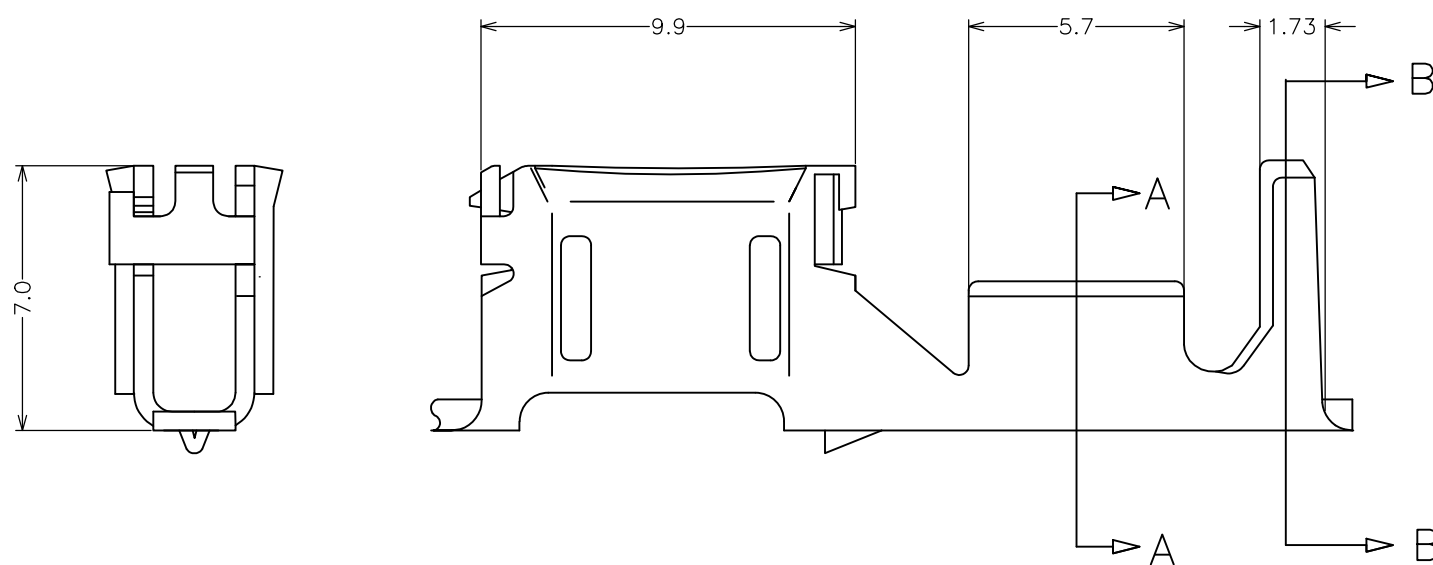
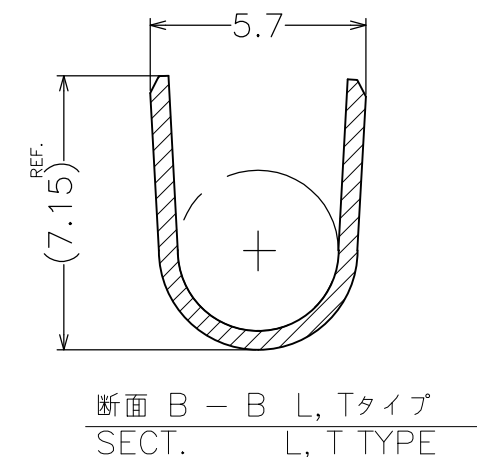
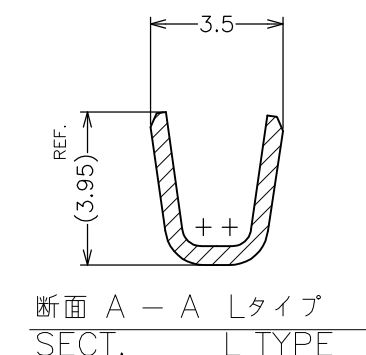
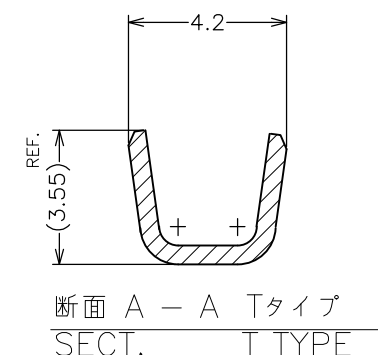
ALL RIGHTS RESERVED.

REVISIONS

P	LTR	DESCRIPTION	ECN	DATE	DWN	APVD
	C1	ECR-19-015554		07OCT2019	SE	PKS



3.2φカラスピンと嵌合
MATING WITH 3.2φ DIAMETER PIN



注記;

- 1.適用ハウジング : X-316293-X
- 2.一般公差 ; 10 ≧ : ±0.2
> 10 : ±0.25

NOTES;

- 1.APPLICABLE HSG : X-316293-X
- 2.TOLERANCES ; 10 ≧ : ±0.2
> 10 : ±0.25

△ THIS PRODUCT IS SPLICE FREE VERSION

T	0.76~2.86 mm ² (AWG#18~#13)	316292-5
L	0.76~2.6 mm ² (AWG#18~#13)	316292-2
L	0.76~2.6 mm ² (AWG#18~#13)	316292-1
ID マーク ID MARK	抱合電線断面積 WIRE RANGE	型番 P/N
WIRE RANGE 抱合電線断面積		INSULATION DIA 被覆外径
表参照 SEE TABLE		1.6~4.0

THIS DRAWING IS A CONTROLLED DOCUMENT.		DWN K.SAKAI	07NOV2011	TE Connectivity	
DIMENSIONS: 単位: 耗 mm		CHK M.HARASAWA	07NOV2011		
TOLERANCES UNLESS OTHERWISE SPECIFIED: 一般公差		APVD N.YAMASAKI	07NOV2011		
0 PLC ± 1 PLC ± 2 PLC ± 3 PLC ± 4 PLC ± ANGLES ±3		PRODUCT SPEC 製品規格 108-5494	NAME 名称 -		
MATERIAL 磷青銅 材料 PHOS BRO		FINISH 錫めっき 仕上 TIN PLATED	WEIGHT 0	3.2 CLUSTER REC. L, T TYPE	
CUSTOMER DRAWING		SIZE A3	CAGE CODE 00779	DRAWING NO 番号 C-316292	RESTRICTED TO -
		SCALE 尺度 5:1	SHEET 1 OF 1	REV C1	