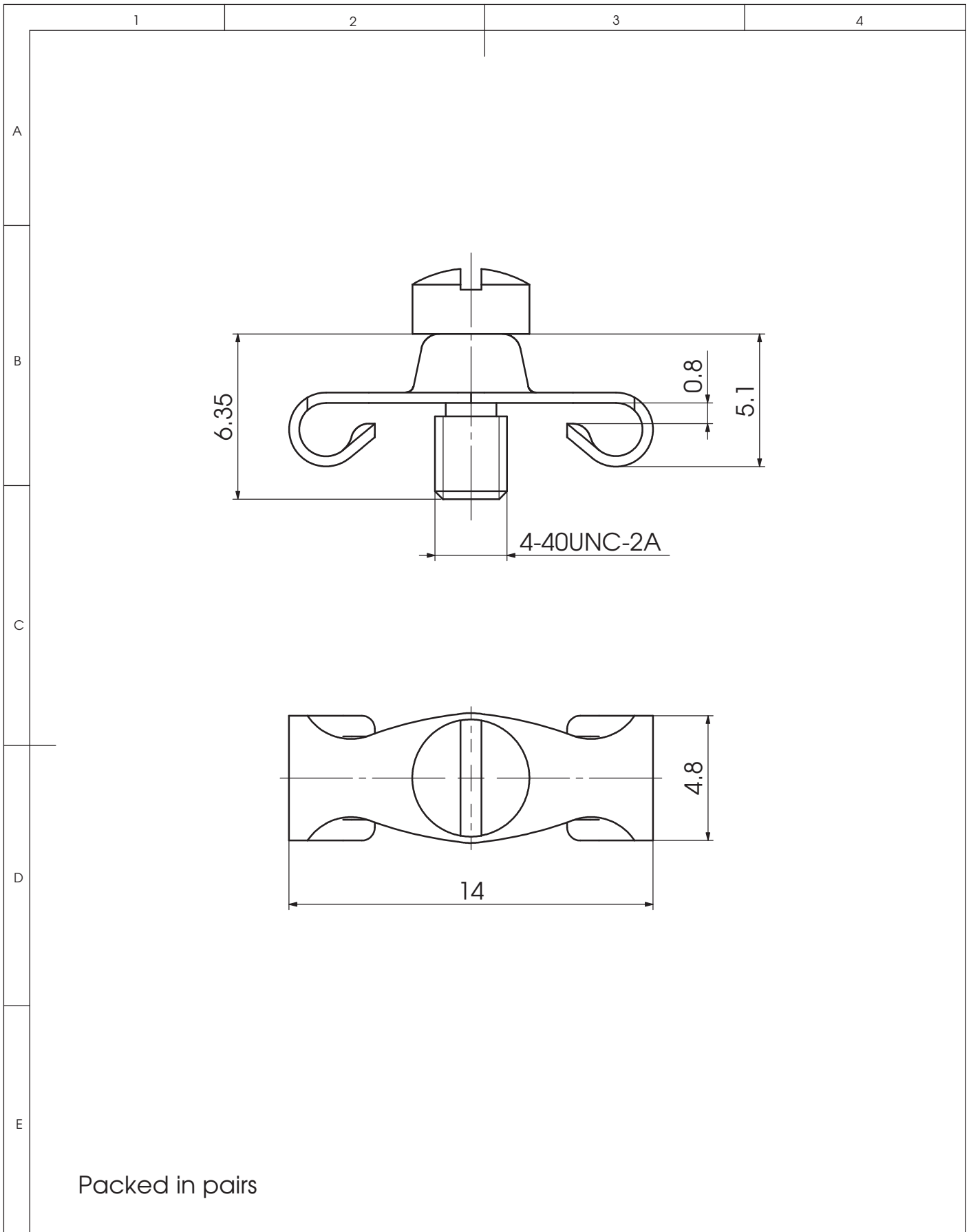
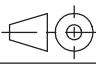



COMMENT:
 ALL RIGHTS ARE RESERVED BY US FOR THIS DRAWING. WITHOUT OUR PRIOR CONSENT,
 IT MAY NEITHER BE DUPLICATED NOR MADE AVAILABLE TO A THIRD PARTY.
 AND IT ALSO MAY NOT BE IMPROPERLY USED BY THE RECEIVER, OR A THIRD PARTY.



Packed in pairs

Schraubverriegelung		F-SCHV-1	Steel	zinc plated	
Type Description		Part No.	Material	Surface plating / Colour / Class	
		 Measurement without tolerance acc. to ISO 2768-m	SCALE 5:1	Screw Lock	
			DATE 13-04-2004		NAME Denzinger
		DRAWN	13-04-2004		rdittel
		CHECKED	13-04-2004		
 www.fctgroup.com			DWG.NO.	F-SCHV-1	
			REV.	1	
1	DATE	CH.-NO.	ORIGINAL: DIN A4-DRAWING AS A FILE	REPLACEMENT FOR: F-SCHV-1 a	PAGES 1