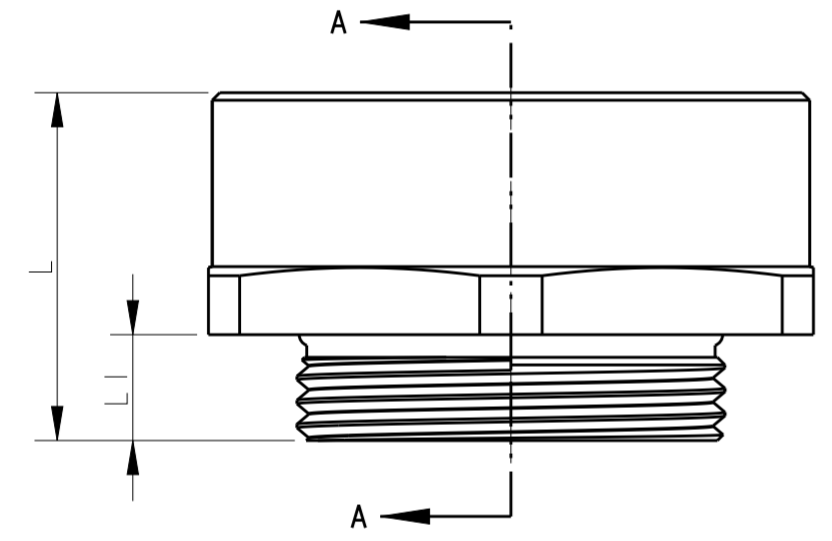
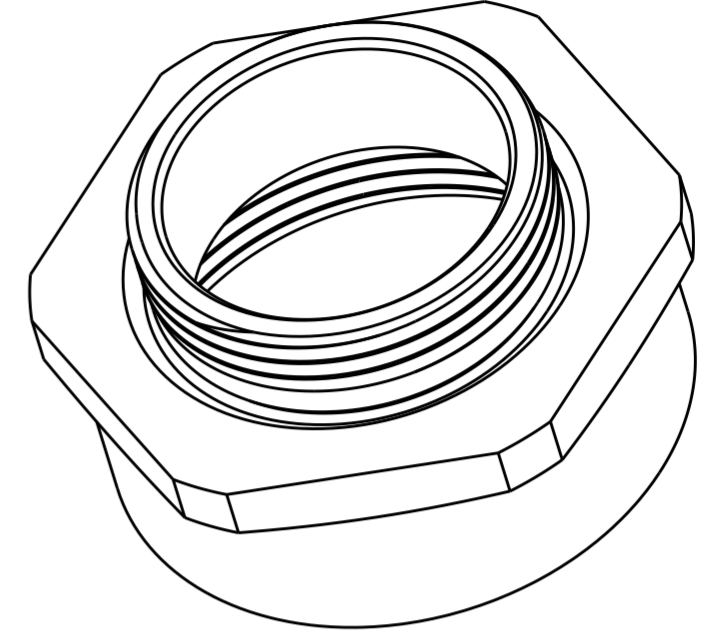
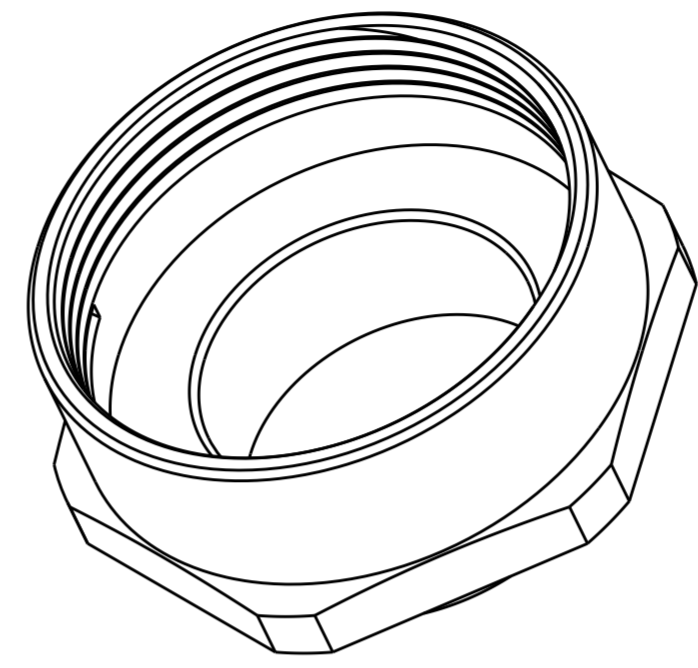
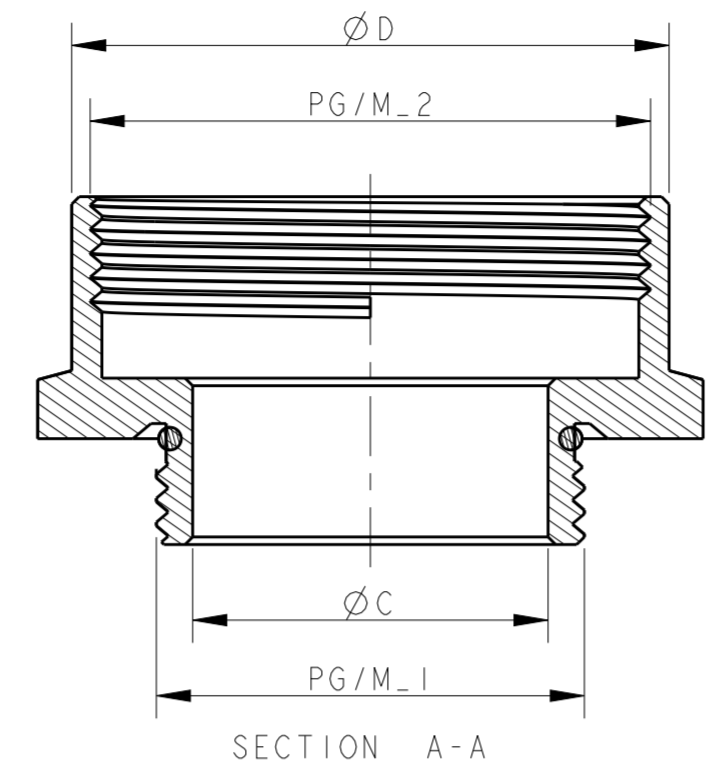
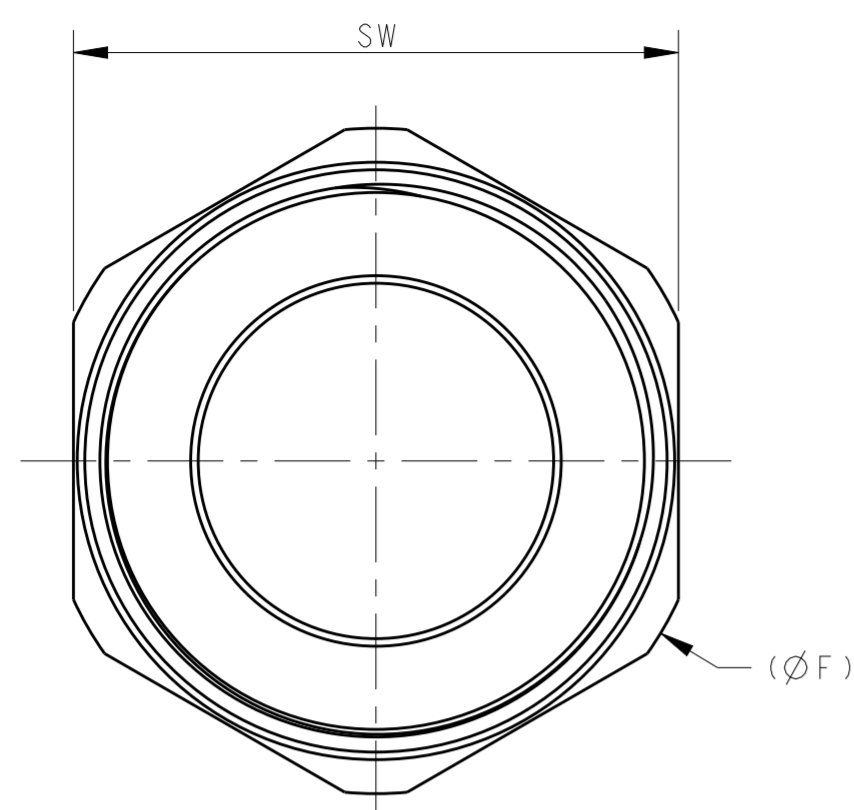


THIS DRAWING IS UNPUBLISHED. RELEASED FOR PUBLICATION 20
 © COPYRIGHT 20 BY - ALL RIGHTS RESERVED.

REVISIONS					
P	LTR	DESCRIPTION	DATE	DWN	APVD
A		INITIAL RELEASE	10MAY2016	DL	CW
AI		ECR-17-011750	15AUG2017	YC	CW



NOTES:
 1. TECHNICAL CHARACTERISTICS:
 BODY MATERIAL: SEE TABLE
 O-RING MATERIAL: ELASTIC RUBBER

注释:
 1. 技术参数:
 主体材料: 见表格
 O型圈材料: 弹性橡胶

PART NUMBER	PART DESCRIPTION	BODY MAT'L+SURFACE	PG/M_1	PG/M_2	SW	C	D	F	L	LI
T3033091101-000	INCR-9/11-PG METAL INCREASERS(PG9-PG11) 金属变径接头_增径(PG9-PG11)	BRASS WITH Ni PLATED	PG9	PG11	22	12	21.5	24.4	21	7
T3033111301-000	INCR-11/13.5-PG METAL INCREASERS(PG11-PG13.5) 金属变径接头_增径(PG11-PG13.5)		PG11	PG13.5	24	13.5	23.5	26.6	21	7
T3033131601-000	INCR-13.5/16-PG METAL INCREASERS(PG13.5-PG16) 金属变径接头_增径(PG13.5-PG16)		PG13.5	PG16	26	15	25.5	28.9	22	7
T3033162102-000	INCR-16/21-PG METAL INCREASERS(PG16-PG21) 金属变径接头_增径(PG16-PG21)		PG16	PG21	32	18	31.5	35.2	22	7
T3033212902-000	INCR-21/29-PG METAL INCREASERS(PG21-PG29) 金属变径接头_增径(PG21-PG29)		PG21	PG29	40	24.5	39.5	44	23	7
T3033293601-000	INCR-29/36-PG METAL INCREASERS(PG29-PG36) 金属变径接头_增径(PG29-PG36)		PG29	PG36	50	33	49.5	55	27.5	8
T3033364201-000	INCR-36/42-PG METAL INCREASERS(PG36-PG42) 金属变径接头_增径(PG36-PG42)		PG36	PG42	57	42.5	56.5	62.5	28	10
T3033121650-000	INCR-12/16-M METAL INCREASERS(M12-M16) 金属变径接头_增径(M12-M16)		M12	M16	19	8.5	18.5	21	16	6
T3033162050-000	INCR-16/20-M METAL INCREASERS(M16-M20) 金属变径接头_增径(M16-M20)		M16	M20	23	12.5	22.5	25.5	21	7
T3033161150-000	INCR-M16-PG11 METAL INCREASERS(M16-PG11) 金属变径接头_增径(M16-PG11)		M16	PG11	22	12.5	21.5	24.4	21	7
T3168161612-000	INCR-M16-PG16 METAL INCREASERS(M16-PG16) 金属变径接头_增径(M16-PG16)		M16	PG16	25	11	24.5	28	17.5	6
T3033202550-000	INCR-20/25-M METAL INCREASERS(M20-M25) 金属变径接头_增径(M20-M25)		M20	M25	27	16.5	26.5	29.5	21	7
T3168201612-000	INCR-M20-PG16 METAL INCREASERS(M20-PG16) 金属变径接头_增径(M20-PG16)	M20	PG16	27	15.5	26.5	29.5	18	7	
T3033252150-000	INCR-M25-PG21 METAL INCREASERS(M25-PG21) 金属变径接头_增径(M25-PG21)	M25	PG21	32	20.5	31.5	35.2	19	7	
T3033252950-000	INCR-M25-PG29 METAL INCREASERS(M25-PG29) 金属变径接头_增径(M25-PG29)	M25	PG29	40	20.5	39.5	44	21	7	
T3033253250-000	INCR-25/32-M METAL INCREASERS(M25-M32) 金属变径接头_增径(M25-M32)	M25	M32	36	20.5	35.5	39.3	20	7	
T3033322950-000	INCR-M32-PG29 METAL INCREASERS(M32-PG29) 金属变径接头_增径(M32-PG29)	M32	PG29	40	27	39.5	44	24.5	8	
T3033324050-000	INCR-32/40-M METAL INCREASERS(M32-M40) 金属变径接头_增径(M32-M40)	M32	M40	45	27.5	44.5	49.6	23.5	8	
T3033405050-000	INCR-40/50-M METAL INCREASERS(M40-M50) 金属变径接头_增径(M40-M50)	M40	M50	55	35.5	54.5	59.6	28	9	
T3033506350-000	INCR-50/63-M METAL INCREASERS(M50-M63) 金属变径接头_增径(M50-M63)	M50	M63	68	45.5	67.5	72.6	23.5	8	
T3168293601-100	INCR-29/36-PG-BX METAL INCREASERS(PG29-PG36) (STAINLESS STEEL) 金属变径接头_增径(PG29-PG36)(不锈钢)	STAINLESS STEEL	PG29	PG36	50	32.5	49.5	55	27.5	8

THIS DRAWING IS A CONTROLLED DOCUMENT.

DWN: DAVID LI 10MAY2016
 CHK: CHRIS WANG 10MAY2016
 APVD: XU XIANG 10MAY2016

TE Connectivity

NAME: METAL INCREASERS

PRODUCT SPEC: -
 APPLICATION SPEC: -
 WEIGHT: -

SIZE: A2 CAGE CODE: - DRAWING NO: C-T3033XXXXXX000 RESTRICTED TO: -
 SCALE: 2:1 SHEET: 1 OF 1 REV: AI

CUSTOMER DRAWING

Mouser Electronics

Authorized Distributor

Click to View Pricing, Inventory, Delivery & Lifecycle Information:

[TE Connectivity:](#)

[T3033293601-000](#) [T3033162102-000](#) [T3033212902-000](#)