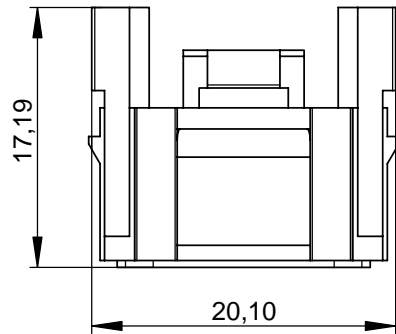
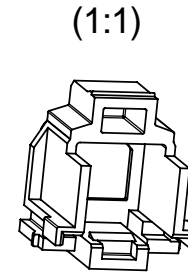
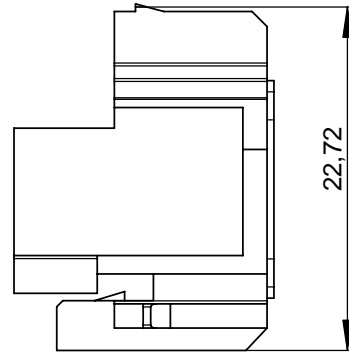
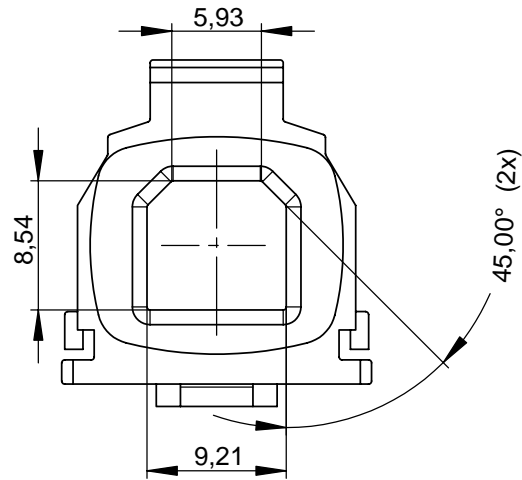


THE INFORMATION CONTAINED IN THIS DRAWING IS THE SOLE PROPERTY OF YAMAICHI ELECTRONICS DEUTSCHLAND GmbH. ANY REPRODUCTION IN PART OR WHOLE WITHOUT THE WRITTEN PERMISSION OF YAMAICHI ELECTRONICS DEUTSCHLAND GmbH IS PROHIBITED.



nicht bemaßte Radien $R\ 0,2 \pm 0,10$
 all undimensioned edges have a radius
 of 0.2 mm +/- 0.10 mm

Material : PBT GF30 UL94V-0
 Farbe: schwarz (RAL 9010)
 Color: black (RAL 9010)

Order / Article No. 82-00234

UNLESS OTHERWISE SPECIFIED:
 DIMENSIONS ARE IN MILLIMETERS

| REV. | REVISION DESCRIPTION | INITIALS | REV. DATE |
|------|----------------------|----------|-----------|
| 5 | | | |
| 4 | | | |
| 3 | | | |
| 2 | | | |
| 1 | | | |



DO NOT SCALE DRAWING

Y-ConUSB-Adapter-20, Adapter for
 insertion of PCB assembly into flange

| | NAME | DATE |
|----------|------|------------|
| DESIGN | MG | 22.03.2005 |
| DRAWN | MG | 20.05.2005 |
| CHECKED | HS | 20.05.2005 |
| Q.A. | WM | 20.05.2005 |
| APPROVED | TR | 20.05.2005 |

TITLE: Customer-drawing

DWG NO.: Customer-P(090)P108

REV. ORIGIN: C

ANGLE PROJECTION: First

SCALE: 1:1

SHEET 1 OF 1

A4q - PART

Mouser Electronics

Authorized Distributor

Click to View Pricing, Inventory, Delivery & Lifecycle Information:

[Yamaichi Electronics:](#)

[Y-Con USB-Adapter-20](#)