

AS-Interface accessory Cable termination piece Sealing of open cable ends for shaped AS-i cable Degree of protection IP67



General technical data

design of the product	For sealing of open cable ends (shaped AS-Interface cable)
-----------------------	--

Certificates/ approvals

General Product Approval	EMV	Marine / Shipping
--------------------------	-----	-------------------

[Confirmation](#)



other	Environment
-------	-------------

[Confirmation](#)

[Environmental Confirmations](#)

Further information

Information on the packaging

<https://support.industry.siemens.com/cs/ww/en/view/109813875>

Information- and Downloadcenter (Catalogs, Brochures,...)

<https://www.siemens.com/ic10>

Industry Mall (Online ordering system)

<https://mall.industry.siemens.com/mall/en/en/Catalog/product?mlfb=3RK1901-1MN00>

Cax online generator

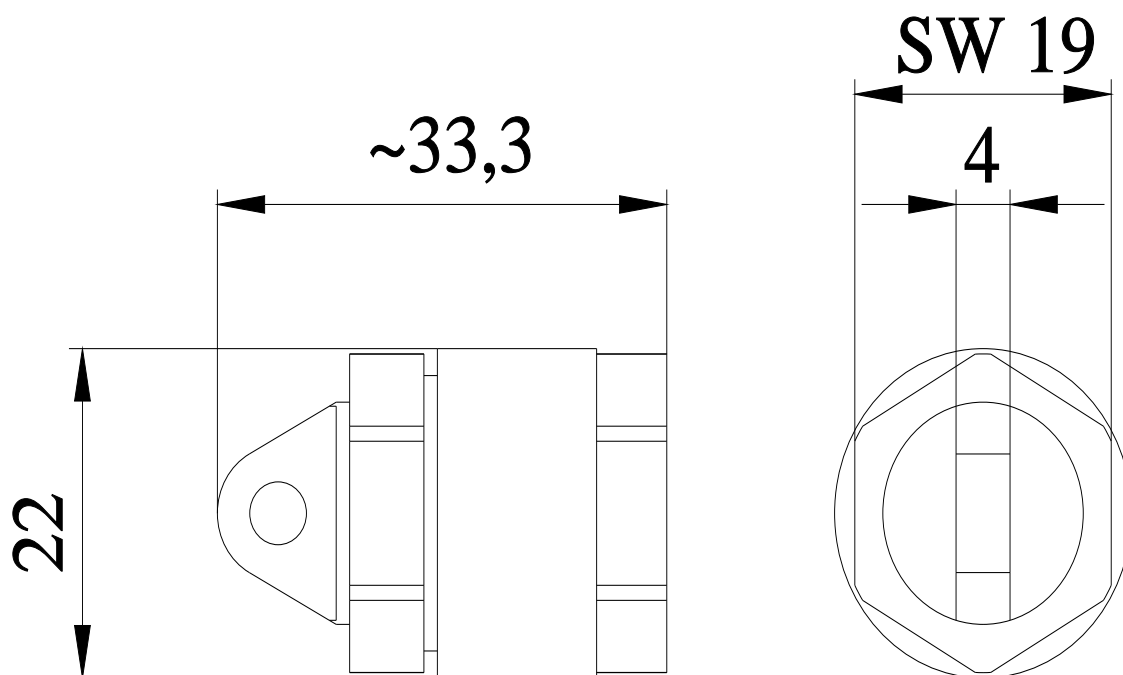
<http://support.automation.siemens.com/WW/CAXorder/default.aspx?lang=en&mlfb=3RK1901-1MN00>

Service&Support (Manuals, Certificates, Characteristics, FAQs,...)

<https://support.industry.siemens.com/cs/ww/en/ps/3RK1901-1MN00>

Image database (product images, 2D dimension drawings, 3D models, device circuit diagrams, EPLAN macros, ...)

http://www.automation.siemens.com/bilddb/cax_de.aspx?mlfb=3RK1901-1MN00&lang=en



last modified:

12/21/2020 