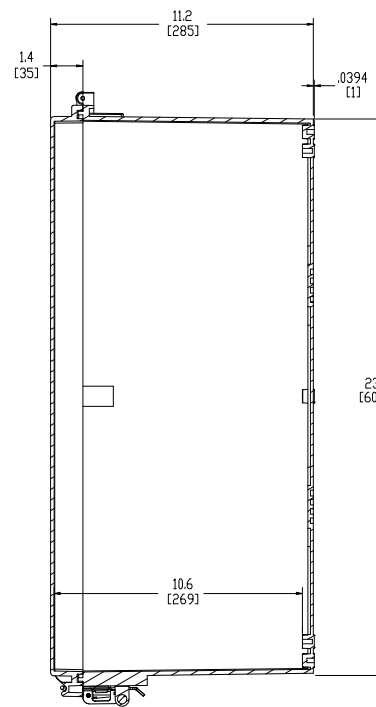
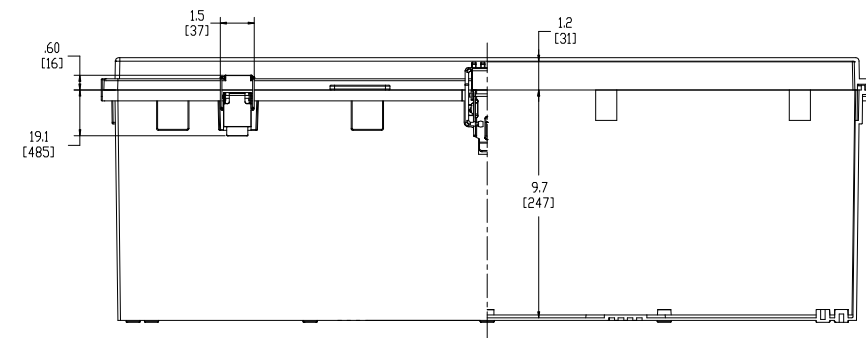
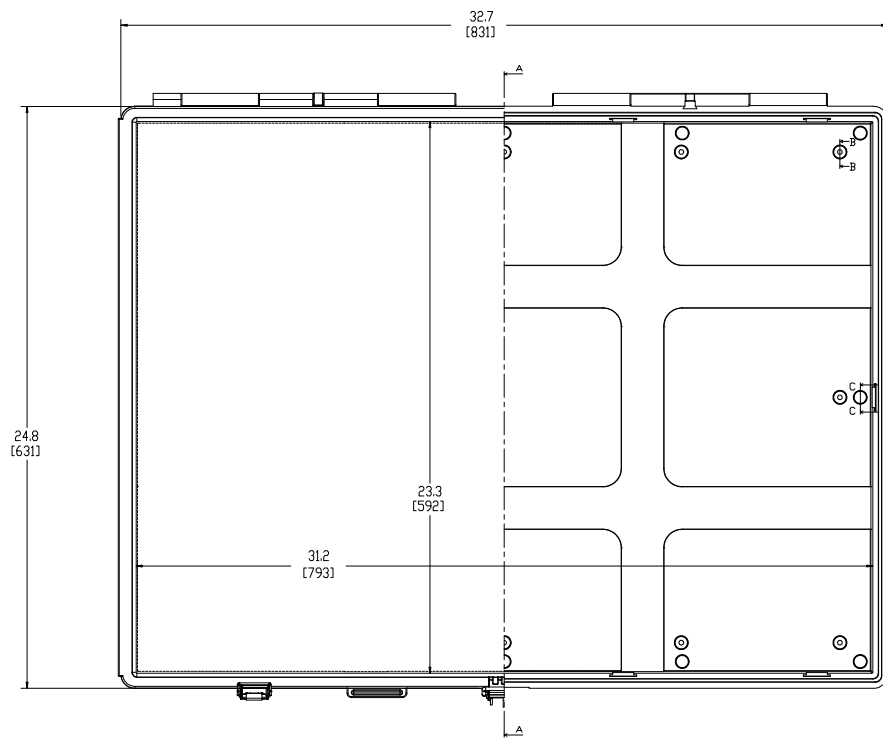
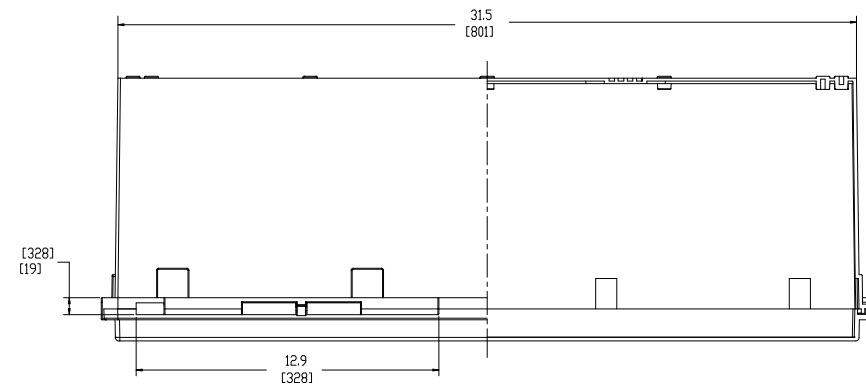
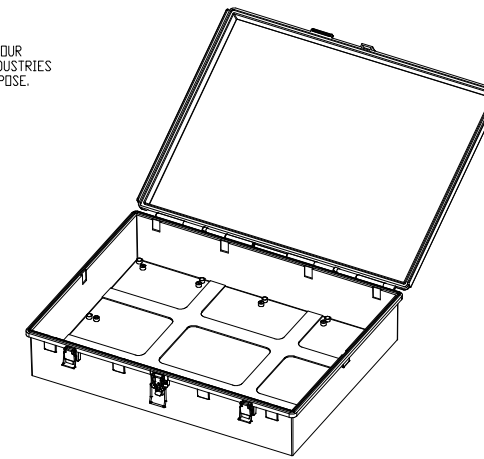


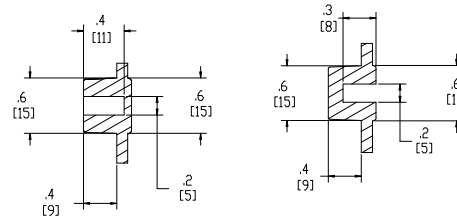
NOTES:

- 1) MATERIAL:  
 BODY - PC & PBC LIGHT GRAY  
 COVER - PC & PBC LIGHT GRAY OR CLEAR POLYCARBONATE  
 LATCHES - STAINLESS STEEL
- 2) UL94 V0(1.5mm) AND 5VA (3mm) FLAMMABILITY RATING, UV RESISTANT.
- 3) BOXES DESIGNED TO MEET FOLLOWING STANDARDS: NEMA 4X, 12 & 13.
- 4) SERVICE TEMPERATURE -20 TO 70C SUITABLE FOR BOTH INDOOR AND OUTDOOR APPLICATIONS
- 5) RMPF PDURED GASKET IN COVER
- 6) COVER IS REMOVABLE
- 7) DIMENSIONS ARE INCH [MM]

DRAWING FOR REFERENCE  
 WE RESERVE THE RIGHT TO MAKE CHANGES TO OUR STANDARD PRODUCTS. PLEASE CONSULT WITH BUD INDUSTRIES PRIOR TO USING THIS DRAWING FOR DESIGN PURPOSE.



SECTION A-A



SECTION B-B

SECTION C-C

