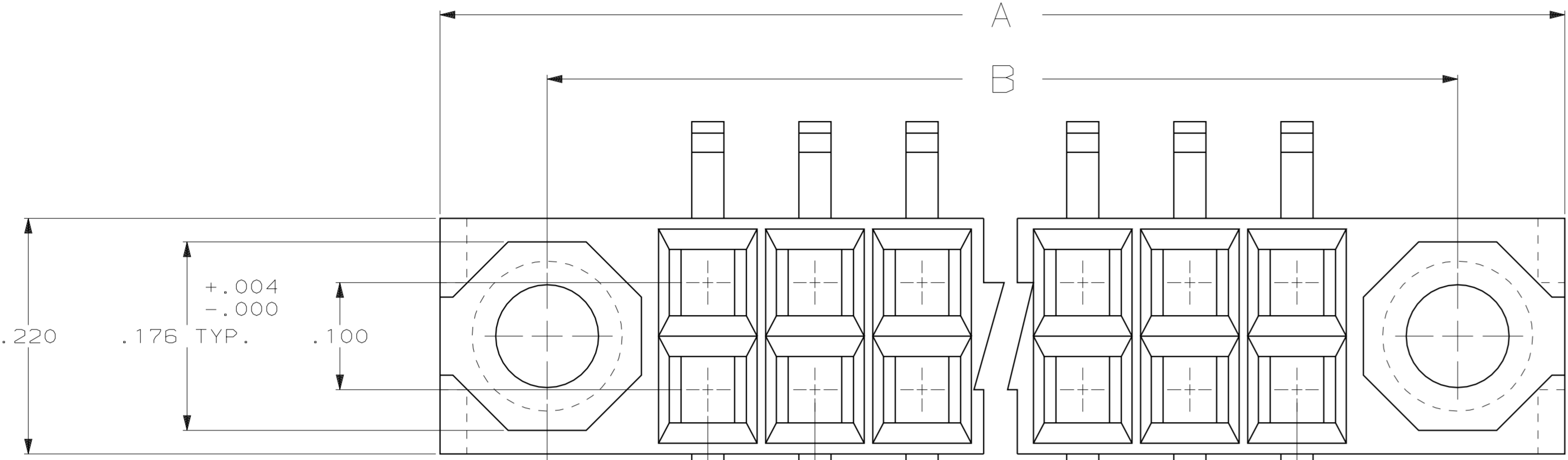
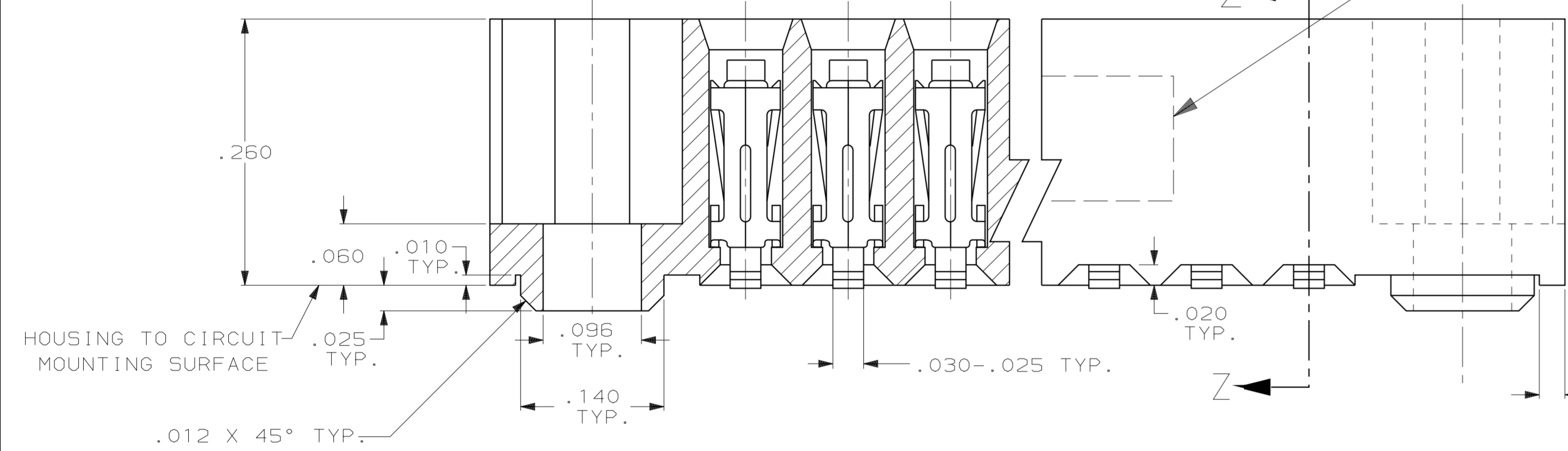
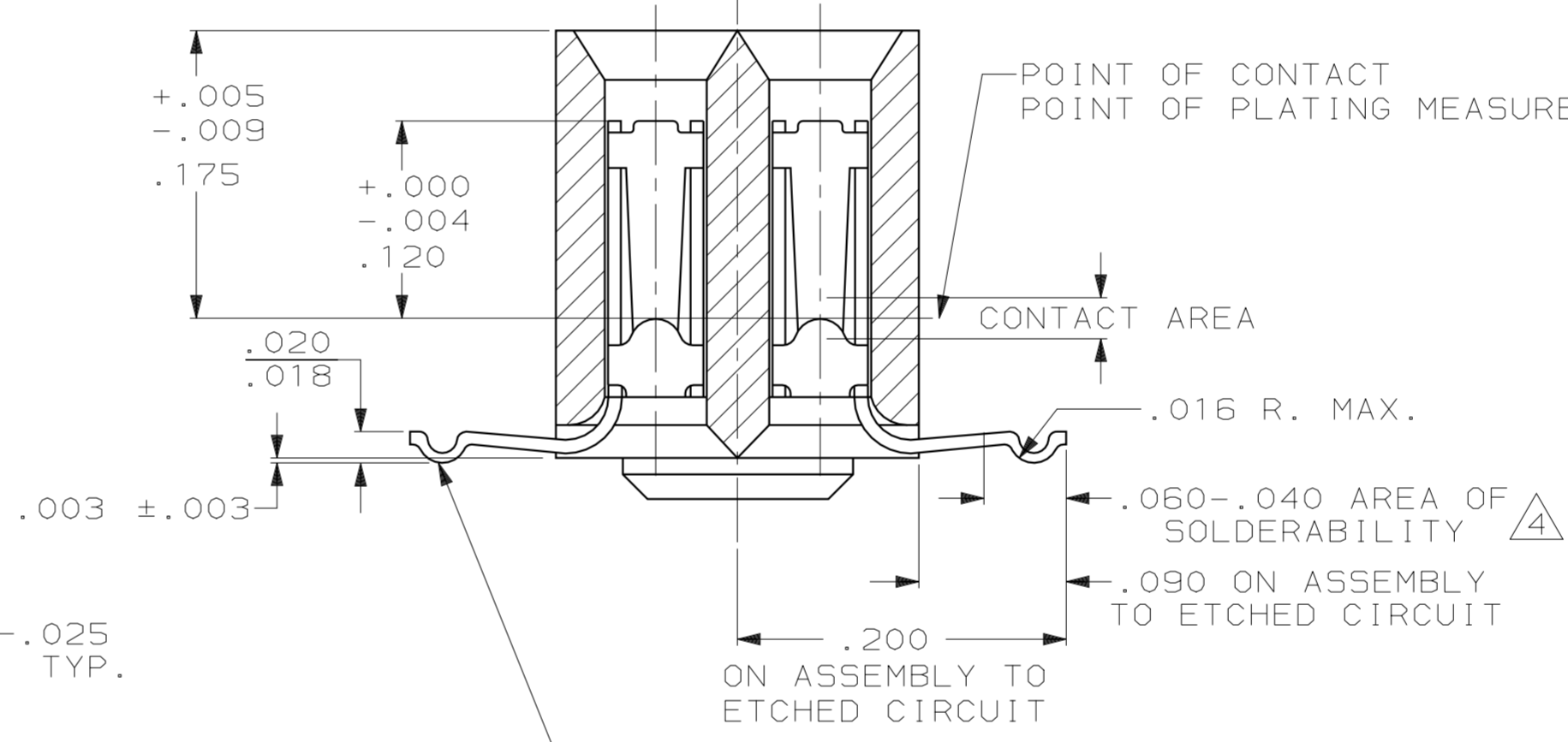
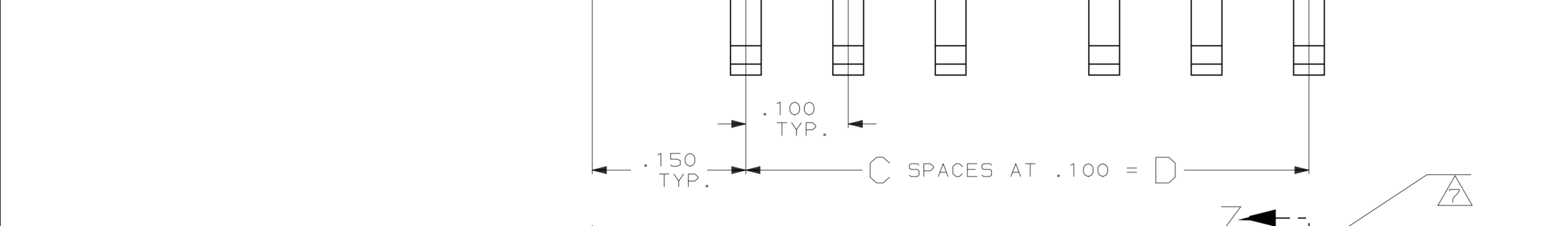


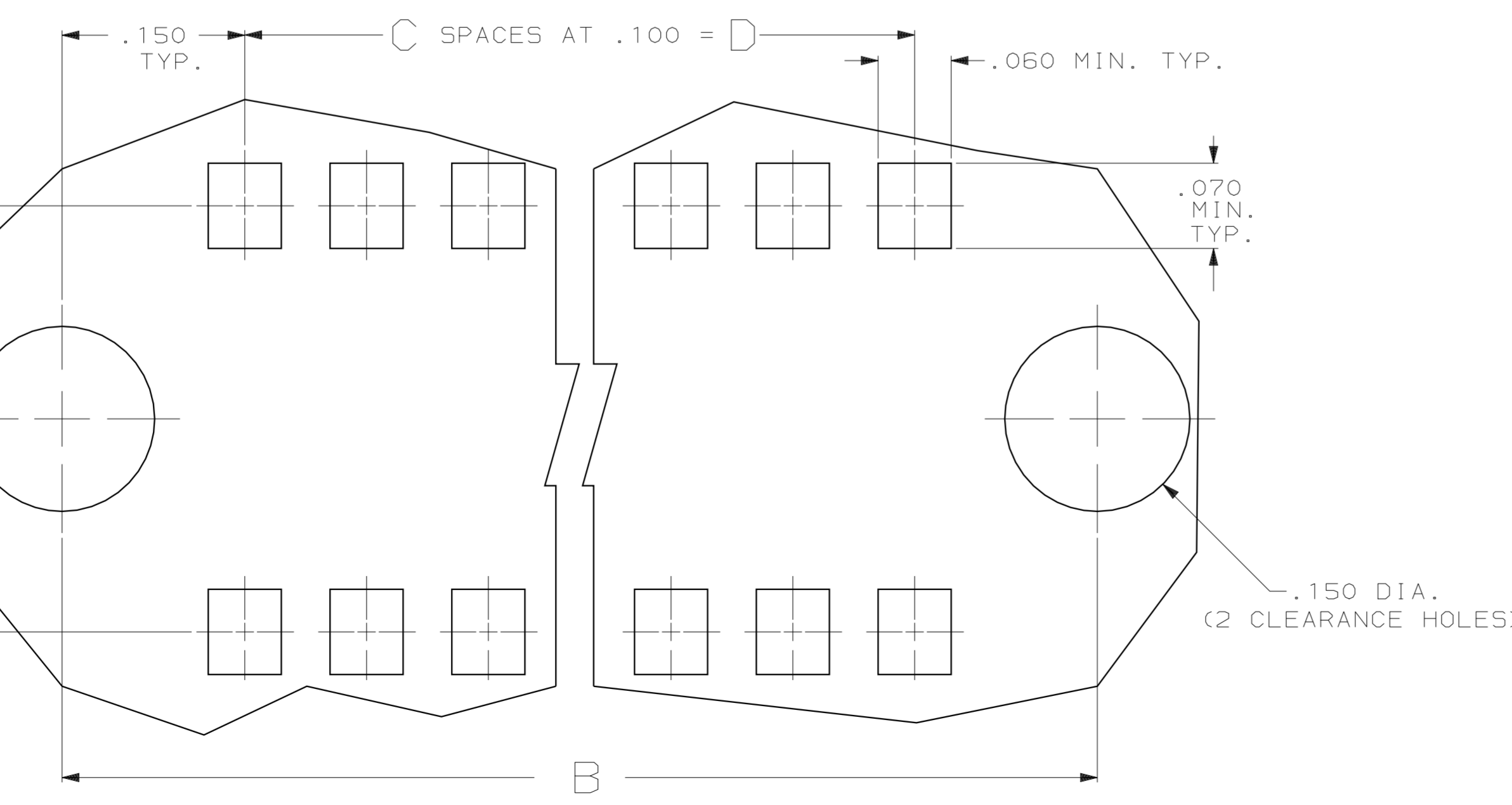
LOC		DIST		REV		REVISIONS		
AD	40	P	F	ZONE	LTR	DESCRIPTION	DATE	APPD
					C	OBsolete PER AD6740	2/3/93	BF
					D	REL -8,1-0,1-6,2-4,-9 PER PPR	2/3/93	BF
					E	REL -5,1-3 PER PPR	2/3/93	BF
					F	REV PER 0010-0516-92 & 0010-0250-92	2/3/93	BF
					G	REV PER 0010-0525-94 JK	4-23-94	AG
					H	REV PER 0010-0928-94 JK	6-27-94	AG



- ① HOUSING MATERIAL : THERMOPLASTIC , RYTON R4 POLYPHENYLENE SULFIDE , PER MIL-M-24519 , TYPE GST-T40F .
- ② CONTACT MATERIAL : PHOSPHOR BRONZE , TEMPER HARD ,PER QQ-B-750 , COMPOSITION : A .
- ③ CONTACT FINISH:.000050 GOLD MIN. PER MIL-G-45204 ,TYPE II , CLASS 0 , GRADE C , IN CONTACT AREA ONLY OVER .000050 MIN. NICKEL UNDERPLATE ALL OVER PER QQ-N-290 , CLASS 1 , GRADE N/A , GOLD FLASH OVER BALANCE OF CONTACT BOX STRUCTURE . .000300 MIN . REFLOWED TIN-LEAD ON SOLDER LEAD , PER MIL-P-81728 .
- ④ SOLDER LEAD FOOT FORM MUST PASS SOLDERABILITY PER MIL-STD-202 , METHOD 208 E .
- 6. THIS DRAWING IS RESTRICTED TO ROCKWELL CORPORATION.
- ⑤ "AMP", "CSA", DATE CODE AND PART NUMBER MARKED IN WHITE WITH .062±.015 HIGH CHARACTERS WHERE SIZE PERMITS. THE ORDER AND LOCATION IS OPTIONAL.



POSITIONS	PART NO
2.900	29
2.800	28
2.700	27
2.600	26
2.500	25
2.400	24
2.300	23
2.200	22
2.100	21
2.000	20
1.900	19
1.800	18
1.700	17
1.600	16
1.500	15
1.400	14
1.300	13
1.200	12
1.100	11
1.000	10
.900	9
.800	8
.700	7
.600	6
.500	5
.400	4



DIMENSIONS & TOLERANCES IN ACCORDANCE WITH ANSI/IPC-D-300G , TYPE 1 , CLASS C

DO NOT SCALE PRINT. UNLESS SPECIFIED DIMENSIONS IN mm [INCHES] TOLERANCES ON : 2 PLC DEC ± .005 3 PLC DEC ± .005 ANGLES ± -	DR 2/3/93 J MOSER CHK 2/3/93 B FLINCHBAUGH APPD 2/3/93 B FLINCHBAUGH APPD 2/3/93 B FLINCHBAUGH	AMP AMP Incorporated Harrisburg, PA 17105-3608 NAME RECEPTACLE ASSEMBLY, SURFACE MOUNT .100 X .100 Ø WITH TOP ENTRY, .260 HIGH HOUSING, MOD IV, AMPMODU	
MATERIAL ①②	PRODUCT SPEC -	SIZE D	CAGE CODE 00779
FINISH ③	APPLICATION SPEC -	DRAWING NO. 534284	SCALE 10:1
THIS DRAWING IS A CONTROLLED DOCUMENT FOR AMP INCORPORATED. IT IS SUBJECT TO CHANGE AND THE CONTROLLING ENGINEERING ORGANIZATION SHOULD BE CONTACTED FOR THE LATEST REVISION.		WEIGHT - 1 OF 1	