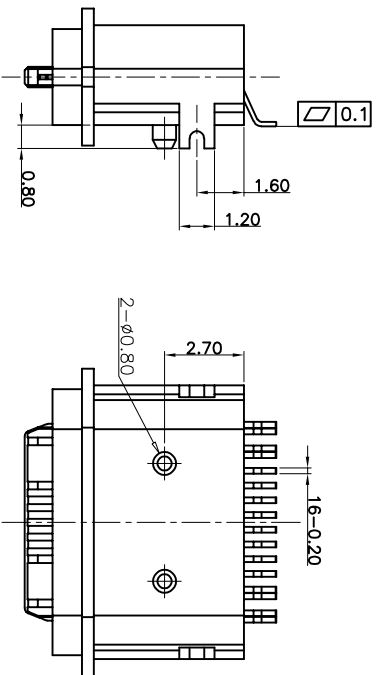
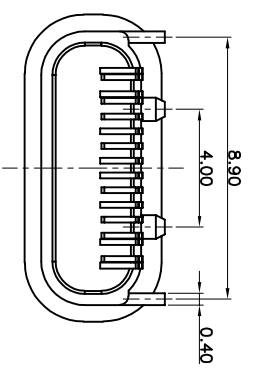
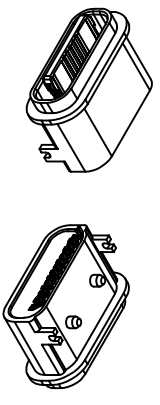
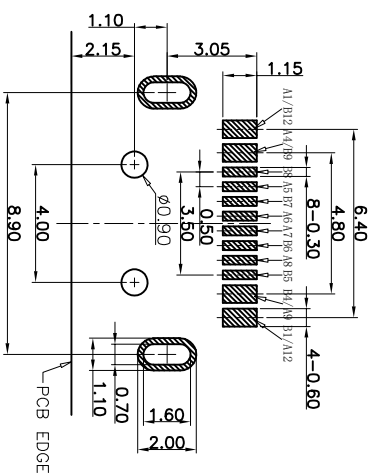
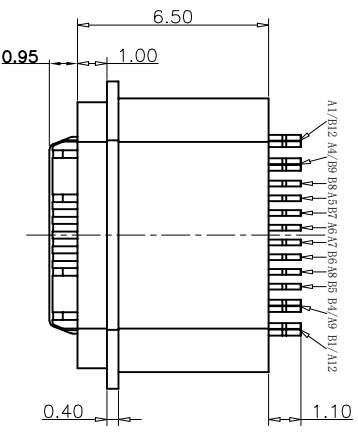


CUSTOMER

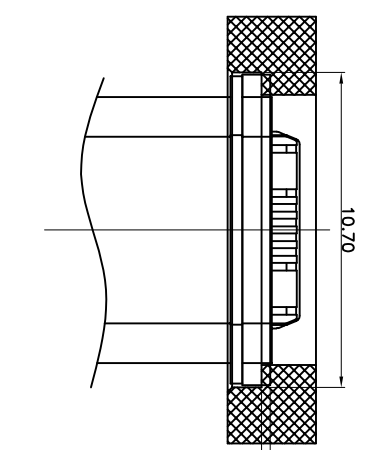
REV.	ECN NO.	DESCRIPTION	DATE	DESIGN



- NOTES:
- SPECIFICATION:
- CURRENT RATING: 3.0 A
  - VOLTAGE RATING: 3.0 V
  - VBUS & GND PINS AND OTHER PINS: 40mΩ/PIN MAX SHIELD: 50mΩ/MAX
  - LCR MAX CHANGE OF ALL PINS: 10Ωm
  - INSULATION RESISTANCE: 100MΩ MIN
  - DIELECTRIC WITHSTAND VOLTAGE: AC 100V FOR 1MINUTE
  - INSERTION FORCE: 0.5-2.0kgf
  - UNMATING FORCE: 0.8-2.0kgf
  - DURABILITY: 10000 CYCLES
  - OPERATING TEMPERATURE: -35°C~+85°C
  - THE PEAK TEMPERATURE ON THE BOARD SHALL BE MAINTAINED FOR 10 SECONDS AT 210-230°C
  - WATERPROOF: IP-X7.



RECOMMEND P.C.B LAYOUT  
TOLERANCE UNSPECIFIED ±0.05mm



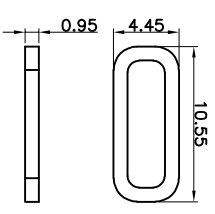
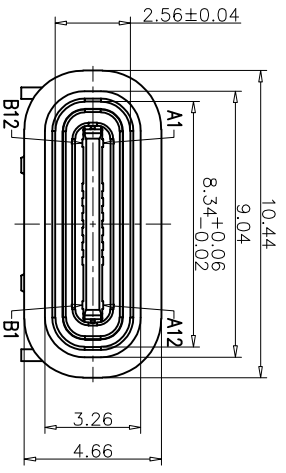
机壳面板对密封圈与缩量0.30Min  
(建议压缩量为密封圈下压方向40-50%)

USB TYPE C PIN ASSIGNMENTS

PIN NUMBER	SIGNAL NAME	PIN NUMBER	SIGNAL NAME
A1	GND	B12	GND
A4	VBUS	B9	VBUS
A5	CC1	B8	SBUS2
A6	DP1	B7	DM2
A7	DM1	B6	DP2
A8	SBUS1	B5	CC2
A9	VBUS	B4	VBUS
A12	GND	B1	GND

TABLE:

NO	PART	Q'TY	Material
1	SHELL	1	ZINC ALLOY,Ni30u"Min PLATED
2	CONTACT	16	C7025,TiN80u"/Au3u"/Ni30u"PlATED
3	MID PLATE	1	SUS301,NO PLATING
4	HOUSING	1	LCPE(E130) UL94 V-0 BLACK
5	WATERPROOF RING	1	SILICONE(SI/60-65A) UL94 V-0 BLACK



防水圈图示

TOLERANCE

X.X	±0.30	X.°	±10°
.XX	±0.20	.X°	±8°
.XXX	±0.10	.XX°	±5°
UNITS	mm		
MATERILA	---		
FINISH	----		

NAME(INTENDED USE)  
CUSTOMER DRAWING

PART NO. F23-010TC161F165-02  
TITLE: CP16P防水板上6. 5L锌合金

DESIGN: ZXM  
DRAWG NO. F23-010TC161F165-02

APPD:		SCALE	1:1	SHEET	1/2	REV.	A
-------	--	-------	-----	-------	-----	------	---

FRVU 广东富盈兴业精密科技实业有限公司  
Guangdong FRVU Precision Electronic Technology Co.,Ltd.