

VS-PPC-C1-RJ45-MNNA-PG9-8Q5 - RJ45 connector



1608016

<https://www.phoenixcontact.com/us/products/1608016>

Please be informed that the data shown in this PDF document is generated from our online catalog. Please find the complete data in the user documentation. Our general terms of use for downloads are valid.



RJ45 connector, degree of protection: IP65/IP67, number of positions: 8, 1 Gbps, CAT5 (IEC 11801:2002), material: Metal, connection method: IDC fast connection, connection cross section: AWG 26- 22, cable outlet: straight, color: silver, Ethernet

Commercial data

Item number	1608016
Packing unit	1 pc
Minimum order quantity	1 pc
Sales key	AB17
Product key	ABNOAA
Catalog page	Page 359 (C-2-2019)
GTIN	4046356131681
Weight per piece (including packing)	70.9 g
Weight per piece (excluding packing)	67.24 g
Customs tariff number	85366990
Country of origin	DE

VS-PPC-C1-RJ45-MNNA-PG9-8Q5 - RJ45 connector



1608016

<https://www.phoenixcontact.com/us/products/1608016>

Technical data

Notes

General	This product corresponds to the PROFINET Cabling and Interconnection Technology Guideline for PROFINET regulations, version 3.01, Order No. 2252
---------	--

Product properties

Product type	Data connector (cable side)
Type	RJ45
Sensor type	Ethernet
Number of positions	8
Connection profile	RJ45
No. of cable outlets	1
Type	RJ45
Shielded	yes
Cable outlet	straight

Insulation characteristics

Overvoltage category	I
Degree of pollution	2

Electrical properties

Rated voltage (III/3)	72 V (DC)
Rated current	1.75 A
Nominal voltage U_N	48 V
Nominal current I_N	1.75 A
Contact resistance	0.001 Ω (Wire – IDC) 0.005 Ω (Litz wires – IDC)
Transmission medium	Copper
Transmission characteristics (category)	CAT5
Transmission speed	1 Gbps

Connection data

Connection technology

Connection method	IDC fast connection
Connection cross section AWG	26 ... 22 (solid) 26 ... 22 (flexible)
Conductor cross section	0.13 mm ² ... 0.32 mm ² (solid) 0.14 mm ² ... 0.36 mm ² (flexible)

Dimensions

Width	22 mm
Height	30 mm

VS-PPC-C1-RJ45-MNNA-PG9-8Q5 - RJ45 connector



1608016

<https://www.phoenixcontact.com/us/products/1608016>

Length	72 mm
--------	-------

Material specifications

Color	silver
Material	Metal
Flammability rating according to UL 94	V0
Seal material, O-ring	NBR
Seal material cable seal	TPE
Seal material	NBR
Seal material, pin connector pattern	NBR
Housing material	Metal
Housing surface material	nickel-plated
Cable seal material	TPE
Contact material	CuSn
Contact surface material	Au/Ni
Contact carrier material	PC
O-ring material	NBR
Material for screw connection	CuZn

Cable/line

External cable diameter	5 mm ... 8 mm
External cable diameter	5 mm ... 8 mm
Cable cross section	0.14 mm ²

Mechanical properties

Mechanical data

Insertion/withdrawal cycles	≥ 250
-----------------------------	-------

Environmental and real-life conditions

Ambient conditions

Degree of protection	IP65/IP67
Ambient temperature (operation)	-40 °C ... 70 °C
Ambient temperature (storage/transport)	-40 °C ... 80 °C
Ambient temperature (assembly)	-5 °C ... 45 °C

Standards and regulations

Standards/specifications	IEC PAS 61076-3-117
--------------------------	---------------------

VS-PPC-C1-RJ45-MNNA-PG9-8Q5 - RJ45 connector

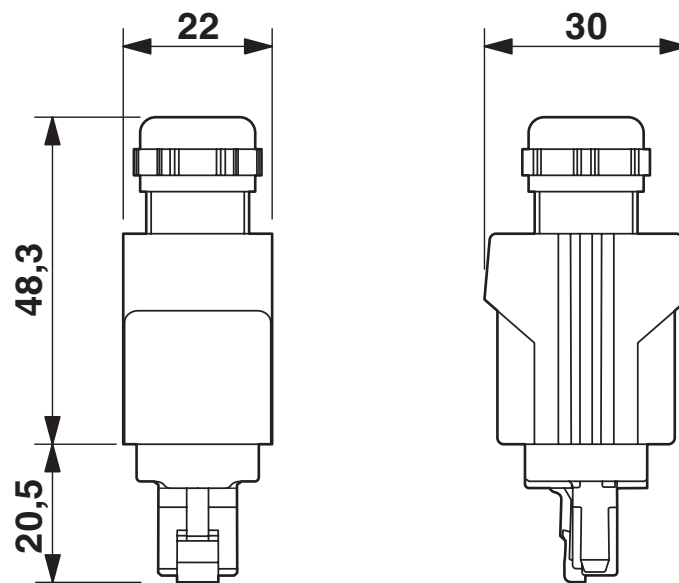
1608016

<https://www.phoenixcontact.com/us/products/1608016>



Drawings

Dimensional drawing



Push-pull RJ45 connector IP65/67

VS-PPC-C1-RJ45-MNNA-PG9-8Q5 - RJ45 connector





1608016

<https://www.phoenixcontact.com/us/products/1608016>

Approvals

To download certificates, visit the product detail page: <https://www.phoenixcontact.com/us/products/1608016>

 cUL Recognized Approval ID: FILE E 118976				
	Nominal voltage U_N	Nominal current I_N	Cross section AWG	Cross section mm^2
	50 V	1.75 A	- 22	-

 UL Recognized Approval ID: FILE E 118976				
	Nominal voltage U_N	Nominal current I_N	Cross section AWG	Cross section mm^2
	50 V	1.75 A	- 22	-

cULus Recognized				
-------------------------	--	--	--	--

VS-PPC-C1-RJ45-MNNA-PG9-8Q5 - RJ45 connector



1608016

<https://www.phoenixcontact.com/us/products/1608016>

Classifications

ECLASS

ECLASS-11.0	27440101
ECLASS-12.0	27440113
ECLASS-13.0	27440116

ETIM

ETIM 9.0	EC002636
----------	----------

UNSPSC

UNSPSC 21.0	39121400
-------------	----------

1608016

<https://www.phoenixcontact.com/us/products/1608016>

Environmental product compliance

EU RoHS

Fulfills EU RoHS substance requirements	Yes, No exemptions
---	--------------------

China RoHS

Environment friendly use period (EFUP)	EFUP-E
	No hazardous substances above the limits

EU REACH SVHC

REACH candidate substance (CAS No.)	6,6'-di-tert-butyl-2,2'-methylenedi-p-cresol(CAS: 119-47-1)
SCIP	6ecc2b5f-8b5a-45ae-a6a1-6ca00e65005d

VS-PPC-C1-RJ45-MNNA-PG9-8Q5 - RJ45 connector

1608016

<https://www.phoenixcontact.com/us/products/1608016>



Accessories

VS-CABLE-STRIP-VARIO - Stripping tool

1657407

<https://www.phoenixcontact.com/us/products/1657407>

Stripping tool, for the multi-level stripping of shielded cables



VS-OE-OE-93B/... - Data cable

1417362

<https://www.phoenixcontact.com/us/products/1417362>



Data cable, PROFINET CAT5 (100 Mbps), 4-position, PVC/PVC, green RAL 6018, shielded, free cable end, on free cable end, cable length: Free entry (0.5 ... 400 m)

VS-PPC-C1-RJ45-MNNA-PG9-8Q5 - RJ45 connector

1608016

<https://www.phoenixcontact.com/us/products/1608016>



CUC-V14-F1ZNI-EM/R40 - Panel mounting frames

1413963

<https://www.phoenixcontact.com/us/products/1413963>



RJ45 panel mounting frame, IP67, for push-pull interlocking, metal, for PCB connection, for square panel cutout, with grommet and mounting screws

Phoenix Contact 2024 © - all rights reserved

<https://www.phoenixcontact.com>

Phoenix Contact USA
586 Fulling Mill Road
Middletown, PA 17057, United States
(+717) 944-1300
info@phoenixcon.com