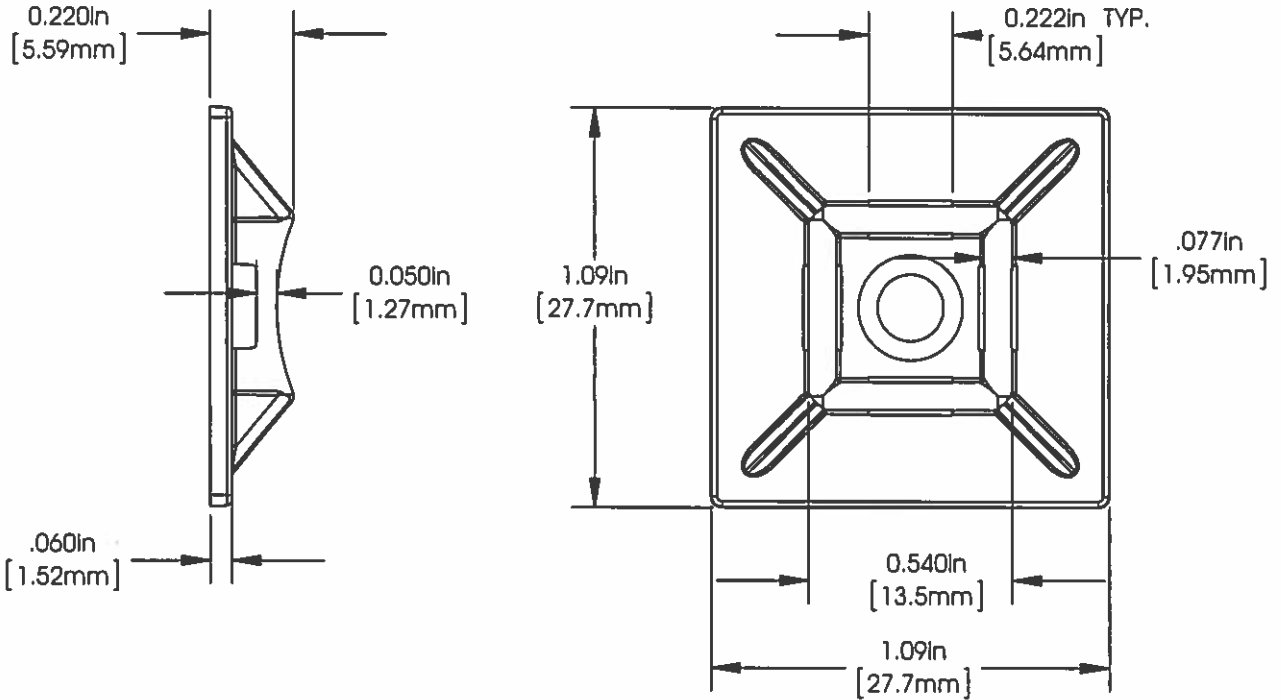


AVERY DENNISON PRODUCT SPECIFICATION



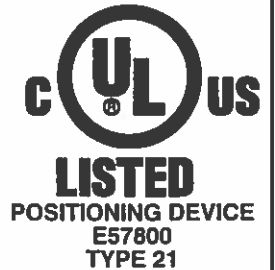
NOT TO SCALE

UNLESS OTHERWISE SPECIFIED:
TOLERANCES: $\pm 10\%$

MATERIAL:	NYLON 6 NATURAL
WEIGHT:	.054 oz. / 1.54 g
MOUNTING:	#6 (.138in) OR M4 (4mm) SCREW
PACKAGING:	100 PER BAG / 10 BAGS PER BOX
OPERATING TEMP RANGE:	-40°C (-40°F) TO 85°C (185°F)
LOOP TENSILE STRENGTH:	50lbf 220N MINIMUM
MINIMUM INSTALLATION TEMP:	32°C (0°F)

NOTES:

1. THESE MOUNTS HAVE A FLAMMABILITY RATING OF V-2
2. UL APPLICATIONS REQUIRE USE WITHIN ENCLOSURES.



08463-0 1" CABLE TIE MOUNT, PLAIN BACKED

APPROVED

J. Boyle 4/22/15

REV
H



Avery Dennison
Fastener Division

USA

Phone - 1-800-225-5913 Fax - 1-800-848-2169

Mouser Electronics

Authorized Distributor

Click to View Pricing, Inventory, Delivery & Lifecycle Information:

[Avery Dennison:](#)

[08463-0](#)