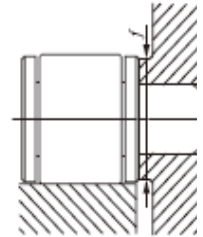
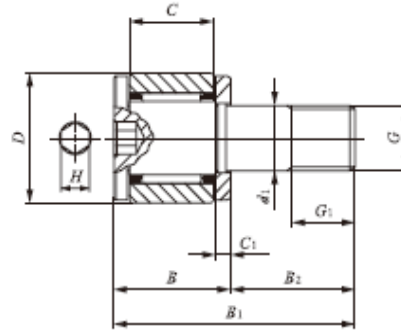
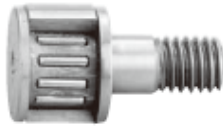


IKO

CAM FOLLOWERS

Miniature Type Cam Followers **With Cage/With Hexagon Hole**

Full Complement Type/With Hexagon Hole



CFS

RS Part Number	IKO Part Number	Stud Diameter (mm)	Mass (g)	D	C	d1	G	G1	B	B1
1251220	CFS 4	4	4	8	5	4	M4x0.7	4	7	15
1251221	CFS 5	5	7	10	6	5	M5x0.8	5	8	18
1251222	CFS 6	6	13	12	7	6	M6x1	6	9.5	21.5



B2	C1	H	Mounting dimension f_{min} (mm)	Maximum tightening torque (Nm)	Basic dynamic load rating C (N)	Basic static load rating C_0 (N)	Maximum allowable static load (N)
8	1	1.5	7.7	77.7	1120	1120	919
10	1	2	9.6	158	1570	1850	1570
12	1.2	2.5	11.6	268	2090	2200	2150