

PYRA FLASHING LIGHT 5 J PY X-M-05

NEW



- safe – an incorrect installation is virtually impossible
- easy – significantly shorter assembly and installation times
- economical – largest possible signaling range due to effective XENON technology
- installation options with external lugs or internal holes
- choice of four different flash rates via DIP switch
- suitable for panel mounting
- electronic constant current regulation at 24 V AC/DC devices to avoid load fluctuations
- integrated inrush current limitation and undervoltage detection
- providing full synchronization on multi-flashing light systems

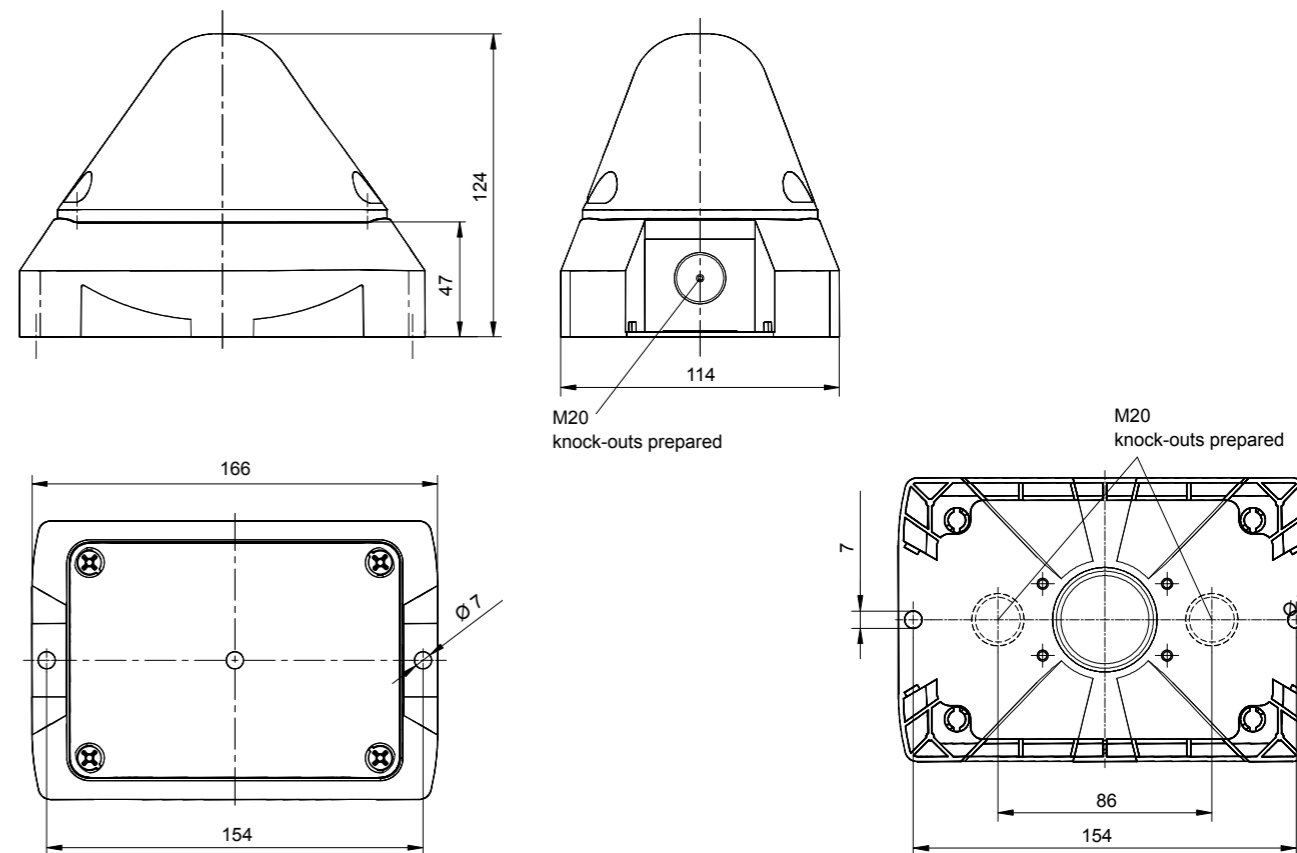
Covering distance as per EN 54	Protection system	Impact-proof housing	Operating temperature + 55 °C - 40 °C	pending	pending	pending	Sync	I_{lim}	10 Years Warranty
--------------------------------	-------------------	----------------------	---	---------	---------	---------	------	-----------	-------------------

Electrical data	PY X-M-05		
Rated voltage	230 V AC	115 V AC	24 V AC/DC
Rated frequency	50 / 60 Hz	50 / 60 Hz	50 / 60 Hz / DC
Operating range	187 – 255 V	90 – 135 V	AC: 18 – 30 V DC: 10 – 60 V
Nominal current consumption @ 1 Hz	60 mA	110 mA	AC: 600 mA DC: 280 mA @ 24 V

Mechanical data	PY X-M-05	
Flash rate	0.1 / 0.5 / 0.75 / 1 Hz (DIP switch)	
Flash energy	5 J	
Light intensity (DIN 5037) ¹	44 cd	
Lens colours	clear, white, yellow, amber, red, green, blue	
Operating temperature	- 40 °C ... + 55 °C	
Storage temperature	- 40 °C ... + 70 °C	
Relative humidity	max. 90%	
Protection system according to EN 60529	IP 66	
Protection class	II	
Duty cycle	100%	
Service life of the flash tube	light emission still 70% after 8,000,000 flashes	
Material	lens	polycarbonate (PC)
	housing	PC / ABS
Housing colours	RAL 3000 (flame red) / RAL 7035 (light grey) / RAL 9003 (signal white)	
Cable entry	2 x M20 on side, 2 x M20 on bottom	
Integrated seal with cable entry	6 – 13 mm	
Connecting terminals	2.5 mm ² fine wire, AWG 16	
Weight	AC	400 g
	AC/DC	420 g

¹ with a clear lens

Dimensions



Ordering details

Article numbers		PY X-M-05 – housing red		
Lens colour	Rated voltage	230 V AC	115 V AC	24 V AC/DC
clear		215 50 10 1 000	215 50 15 1 000	215 50 81 1 000 ¹
yellow		215 50 10 3 000	215 50 15 3 000	215 50 81 3 000
red		215 50 10 5 000	215 50 15 5 000	215 50 81 5 000 ¹
Article numbers		PY X-M-05 – housing grey		
Lens colour	Rated voltage	230 V AC	115 V AC	24 V AC/DC
clear		215 50 10 1 055	215 50 15 1 055	215 50 81 1 055 ¹
yellow		215 50 10 3 055	215 50 15 3 055	215 50 81 3 055
red		215 50 10 5 055	215 50 15 5 055	215 50 81 5 055 ¹

Article numbers for other colours and voltages on request

¹ version with EN 54-23 approval

Options / Accessories



See page 105 for further information

Conformity to standards

The visual characteristics of flashing lights conform to the European standard DIN EN 842: "Machine safety - visual alarm signals". Requirements contained in the DIN EN 981 standard: "Machine safety - system of acoustic and visual alarm and information signals", can be fulfilled. The colours 'red' for the emergency signal and 'yellow' for the warning signal conform to the requirements of IEC 73 / DIN EN 60073 / VDE 0199: "Coding of display devices and control elements using colours and supplementary means".

References to visual alarm devices can be found in the following standards:
 EN 60825-1 Radiation safety of laser devices, identical to IEC 825 and DIN-VDE 0837
 DIN EN 54 Fire alarm systems
 DIN 54113-2 Radiation protection regulations for the technical operation of X-ray equipment up to 500 kV