

1-552027-1 ✓ ACTIVE

CHAMP Docking Connectors

TE Internal #: 1-552027-1

TE Internal Description: STRAIN RELIEF, 50 POS, CHAMP

[View on TE.com >](#)



Product Compliance

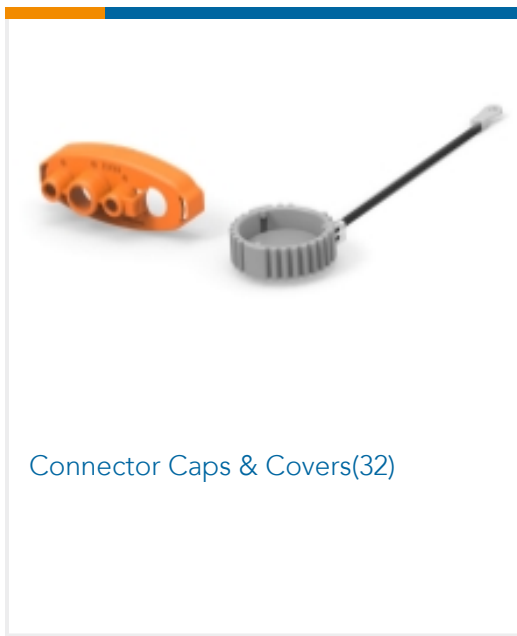
[For compliance documentation, visit the product page on TE.com>](#)

EU RoHS Directive 2011/65/EU	Compliant
EU ELV Directive 2000/53/EC	Compliant
China RoHS 2 Directive MIIT Order No 32, 2016	No Restricted Materials Above Threshold
EU REACH Regulation (EC) No. 1907/2006	Current ECHA Candidate List: JUNE 2024 (241) Candidate List Declared Against: JUNE 2024 (241) Does not contain REACH SVHC
Halogen Content	Low Bromine/Chlorine - Br and Cl < 900 ppm per homogenous material. Also BFR /CFR/PVC Free
Solder Process Capability	Not applicable for solder process capability

Product Compliance Disclaimer

This information is provided based on reasonable inquiry of our suppliers and represents our current actual knowledge based on the information they provided. This information is subject to change. The part numbers that TE has identified as EU RoHS compliant have a maximum concentration of 0.1% by weight in homogenous materials for lead, hexavalent chromium, mercury, PBB, PBDE, DBP, BBP, DEHP, DIBP, and 0.01% for cadmium, or qualify for an exemption to these limits as defined in the Annexes of Directive 2011/65/EU (RoHS2). Finished electrical and electronic equipment products will be CE marked as required by Directive 2011/65/EU. Components may not be CE marked. Additionally, the part numbers that TE has identified as EU ELV compliant have a maximum concentration of 0.1% by weight in homogenous materials for lead, hexavalent chromium, and mercury, and 0.01% for cadmium, or qualify for an exemption to these limits as defined in the Annexes of Directive 2000/53/EC (ELV). Regarding the REACH Regulation, the information TE provides on SVHC in articles for this part number is based on the latest European Chemicals Agency (ECHA) 'Guidance on requirements for substances in articles' posted at this URL: <https://echa.europa.eu/guidance-documents/guidance-on-reach>

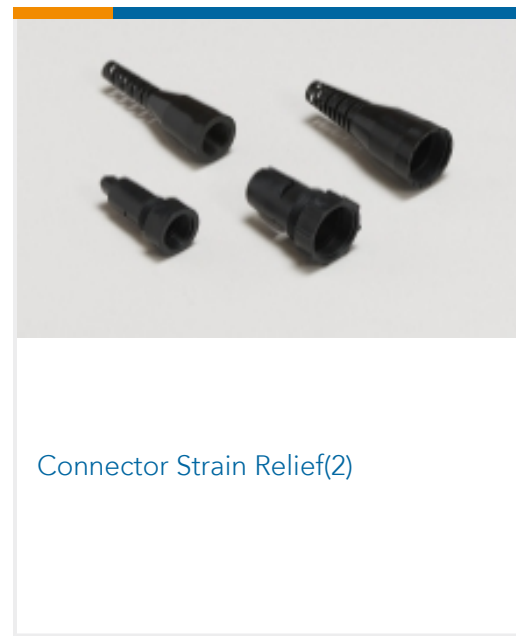
Also in the Series | CHAMP Docking Connectors



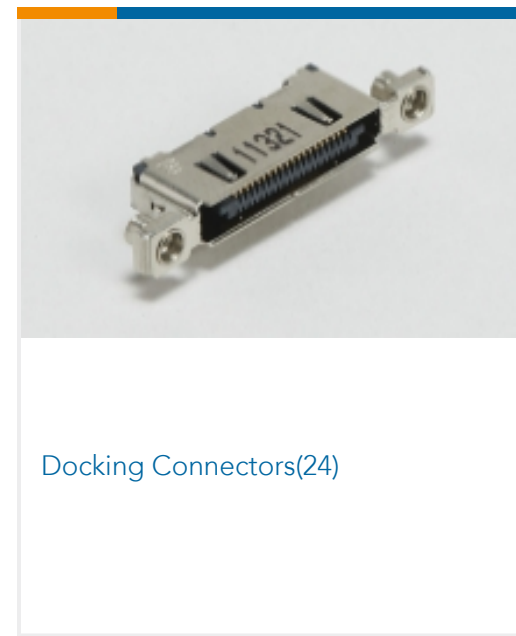
Connector Caps & Covers(32)



Connector Hardware(28)



Connector Strain Relief(2)



Docking Connectors(24)



IDC D-Sub Connectors(55)

Customers Also Bought



TE Part #229975-1
IDC D-Sub: Receptacle Assembly,
Signal, 2.16 mm



TE Part #229974-1
ASSY, PLUG, 50 POS, B SLOT



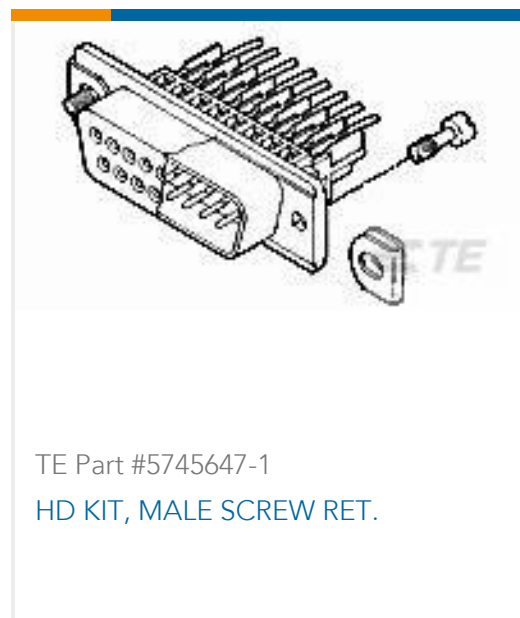
TE Part #5229911-1
SCREW,PAN HD,"CHAMP
PACKAGING



TE Part #102536-3
10 AMPMODU MT COVER DR .100CL



TE Part #2301994-2
RJ45 JACK INT.MAG. 10/100 LED 1X1
INV.



TE Part #5745647-1
HD KIT, MALE SCREW RET.



TE Part #625159-000
D-110-35



TE Part #229909-1
COVER,TAPERED,90DEG"CHAMP
PKG"



TE Part #1-552296-1
STRAIN RELIEF 64 POS BLACK

Documents



Product Drawings

[STRAIN RELIEF, 50 POS, CHAMP](#)

English

CAD Files

Customer View Model

[ENG_CVM_CVM_1-552027-1_AG.2d_dxf.zip](#)

English

3D PDF

3D

Customer View Model

[ENG_CVM_CVM_1-552027-1_AG.3d_igs.zip](#)

English

Customer View Model

[ENG_CVM_CVM_1-552027-1_AG.3d_stp.zip](#)

English

By downloading the CAD file I accept and agree to the [Terms and Conditions](#) of use.

Instruction Sheets

[Instruction Sheet \(U.S.\)](#)

English