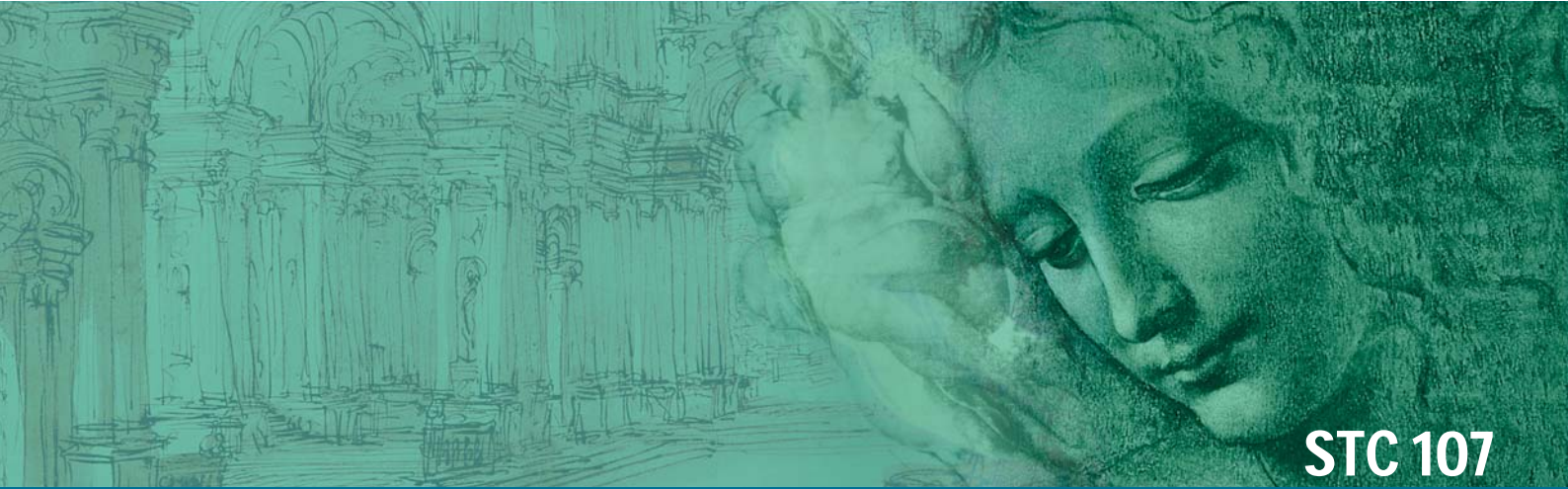




GREEN ELECTRONICS



**STC 107**

Terminal Blocks and Connectors for Printed Circuit Boards



ISO  
9001



ISO  
14001



BS OHSAS  
18001:2007



**Sauri®**  
ELECTRONIC CONNECTORS

# STC 107

## Extruded Supports



**Width of PCB:**  
100 mm - 107.5 mm (3.937 in - 4.232 in)



**Support Type:**  
EXTRUDED



**Standard Colour:**  
GREEN

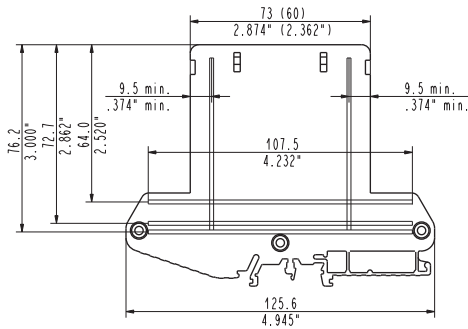
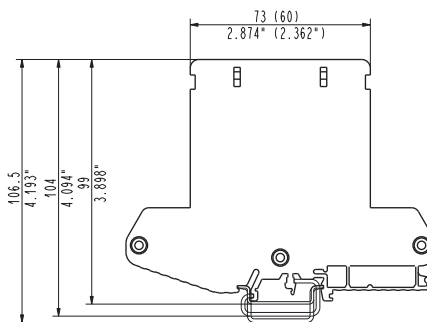
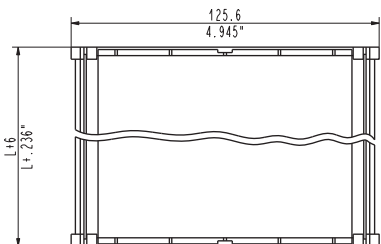
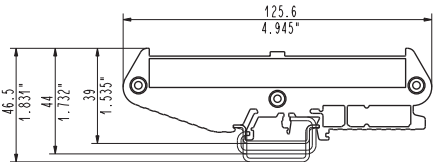
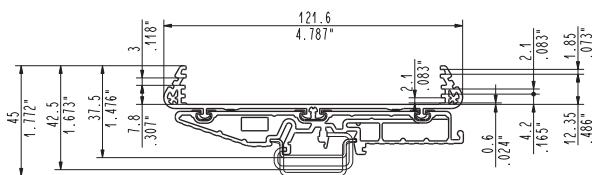


**Thickness of PCB:**  
1.6 ÷ 2.8 mm (.063 ÷ .110 in)

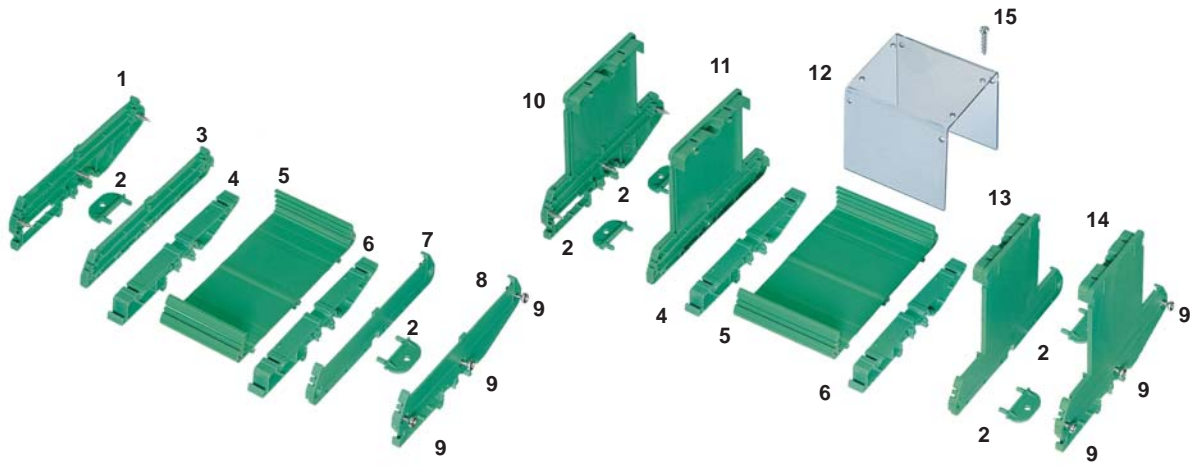
### STC107



### Extruded Supports for Boards 107.5 mm (4.232 in) Wide

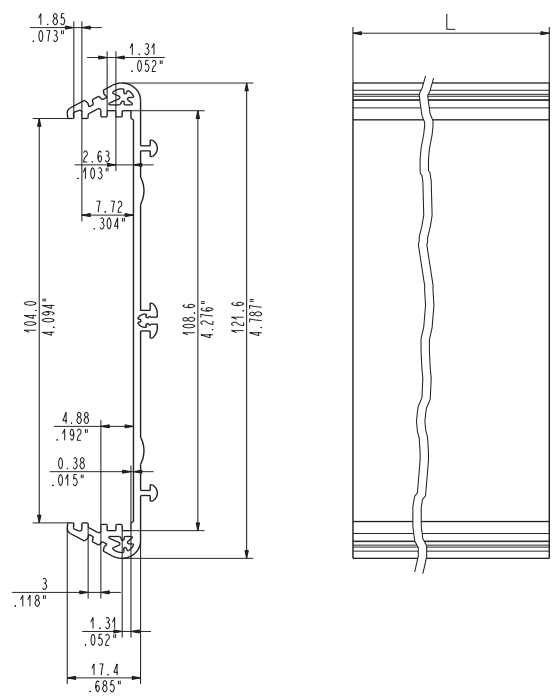


**STC PARTS**



- 1 STC107TSX0
- 2 STC000F000
- 3 STC107T000
- 4 STC107P011
- 5 STC107S\_ \_ \_
- STC1072000
- STC107L\_ \_ \_
- 6 STC107P011
- 7 STC107T000
- 8 STC107TDX0
- 9 STC000V015
- 10 STC107TS73
- 11 STC107T073
- 12 STC107C\_ \_ \_
- STC107D\_ \_ \_
- 13 STC107T060
- 14 STC107TD60
- 15 STC000VC15

**Custom sized Cut Extruded Profile**



- STC107S\_ \_ \_
- STC1072000
- STC107L\_ \_ \_

**STC107S\_ \_ / STC1072000 / STC107L\_ \_ \_**

**Custom sized Cut Extruded Profile**

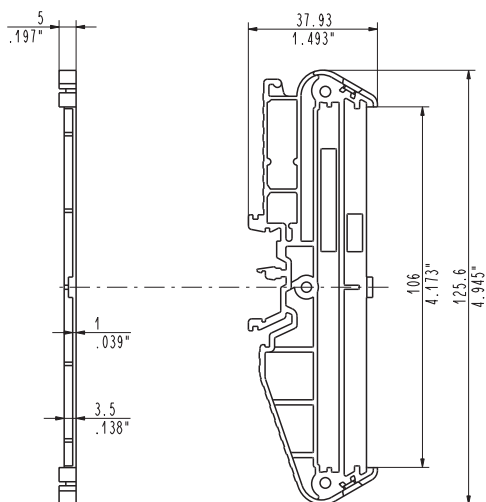
For a Custom Sized Cut Profile, the length of the Central Body must be equal to the length of the PCB minus 3.5 mm (.138 inch). It's advised to round off the figure to the higher whole number.

The length of the support, including the Lateral Elements, is equal to the length of the Profile plus 6 mm (.236 inch).

Cut Profile sizes L		Part-Number	Pcs / pack	For PCB		Support Length	
(mm)	(in)			(mm)	(in)	(mm)	(in)
35,00	1.378	STC107S035	50	38.50	1.516	41.00	1.614
51,50	2.028	STC107S051	50	55.00	2.165	57.50	2.264
70,00	2.756	STC107S070	50	73.50	2.894	76.00	2.992
86,50	3.406	STC107S086	50	90.00	3.543	92.50	3.642
105,00	4.134	STC107S105	50	108.50	4.272	111.00	4.370
121,50	4.783	STC107S121	50	125.00	4.921	127.50	5.020
140,00	5.512	STC107S140	40	143.50	5.650	146.00	5.748
156,50	6.161	STC107S156	50	160.00	6.299	162.50	6.398
175,00	6.890	STC107S175	40	178.50	7.026	181.00	7.126
191,50	7.539	STC107S191	50	195.00	7.677	197.50	7.776
210,00	8.268	STC107S210	50	213.50	8.406	216.00	8.504
226,50	8.898	STC107S226	50	230.00	9.055	232.50	9.154
245,00	9.646	STC107S245	50	248.50	9.783	251.00	9.882
261,50	10.295	STC107S261	50	265.00	10.433	267.50	10.531
280,00	11.024	STC107S280	50	283.50	11.161	286.50	11.260
Profile for PCB with L = 2 m (78.740 in)		STC1072000	10	-----	-----	-----	-----
Custom		STC107L_ _ _	100	L + 3.5	L + .137	L + 6	L + .236

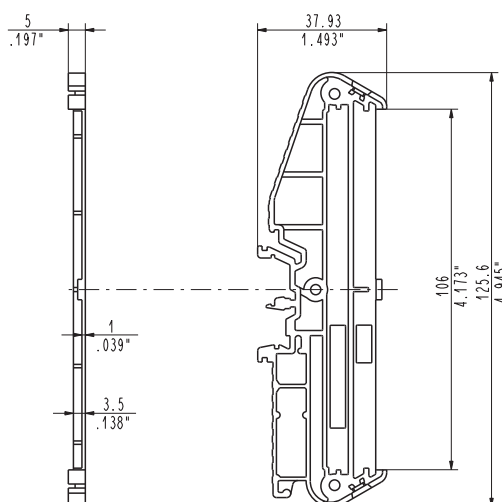
## Extruded Supports

## Left Lateral Element with Rail Hook



STC107TSX0

## Right Lateral Element with Rail Hook



STC107TDX0

## STC107TSX0 / STC107TDX0

## Lateral Elements with Left and Right Rail Hook

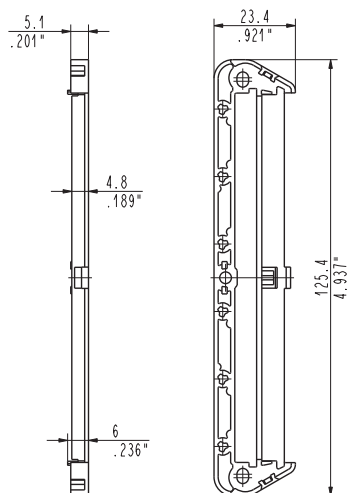
**Lateral Elements with Left and Right Rail Hook** can be used to hook the **Extruded Profile** to the DIN rails to hold PCB Supports that are quite short and quite lightweight. Alternatively, it's possible to use 2 **Lateral Elements Without Hooks** by placing the required number of **DIN Rail Hooks** directly under the Extruded Profile.

To fasten each Lateral Element to the Extruded Profile, 3 **Screws** must be used.

For customer convenience, the Support can be supplied with one Lateral Element already assembled. This option, if desired, must be clearly requested.

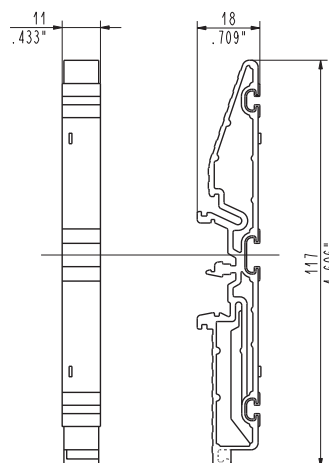
Description	Part-Number	Pcs / pack
Left Lateral Element with Rail Hook	STC107TSX0	50
Right Lateral Element with Rail Hook	STC107TDX0	50
Head Without Rail Hook	STC107T000	100
DIN Rail Hook	STC107P011	100
Screw for Head Fastening (L=15mm)	STC000V015	100
Screw for Head Fastening (L=15mm)	STC000VC15	100
Screw for Head Fastening (L=15mm)	STC000V025	100

## Head Without Rail Hook



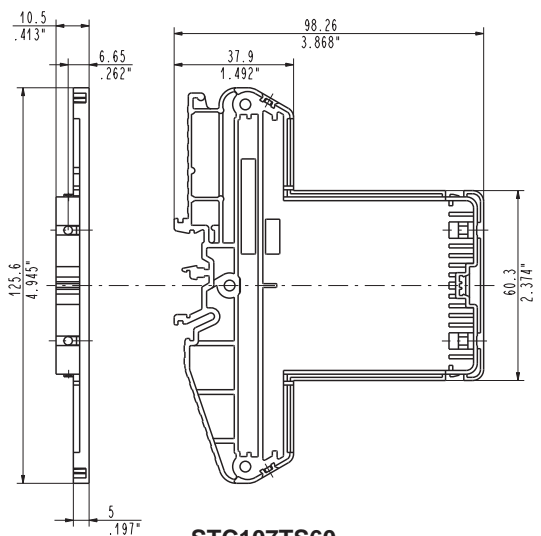
STC107T000

## DIN Rail Hook



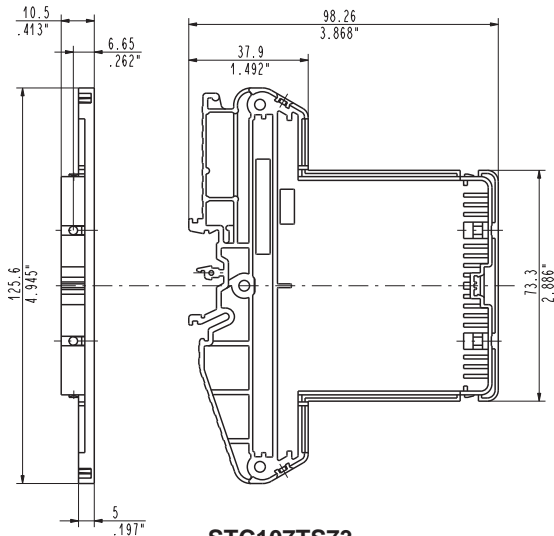
STC107P011

**Left High Lateral Element with Rail Hook**



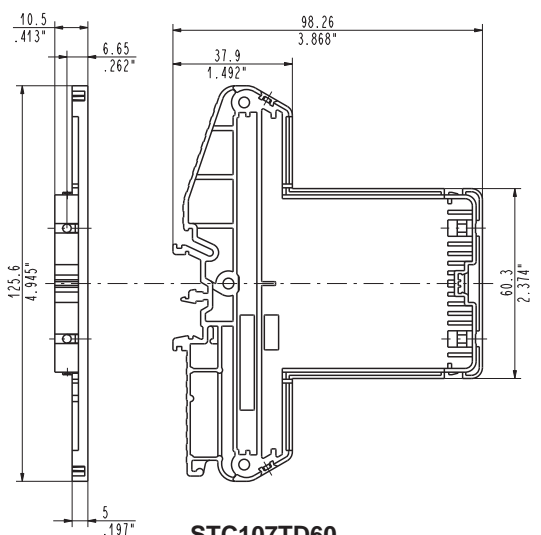
**STC107TS60**

**Left High Lateral Element with Rail Hook**



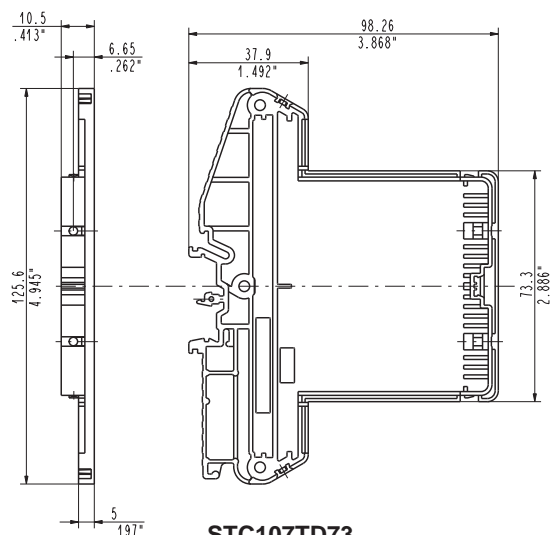
**STC107TS73**

**Right High Lateral Element with Rail Hook**



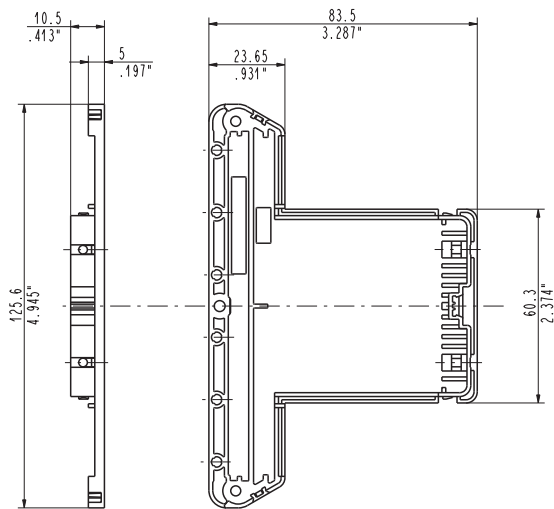
**STC107TD60**

**Right High Lateral Element with Rail Hook**



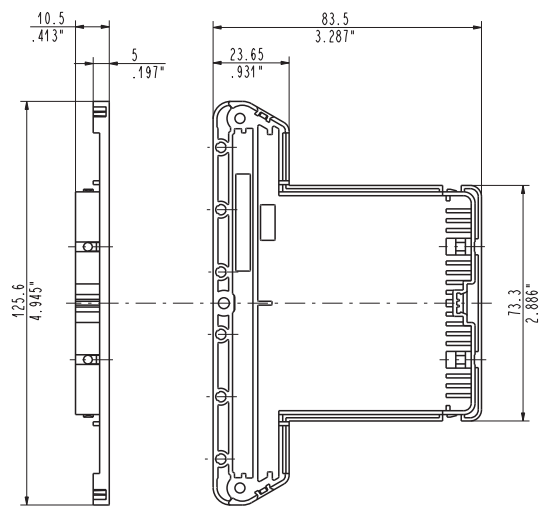
**STC107TD73**

**High Lateral Element Without Rail Hook**



**STC107T060**

**High Lateral Element Without Rail Hook**



**STC107T073**



## Extruded Supports

## STC107T

## ▶ High Lateral Elements

**High Lateral Elements** are necessary if the transparent **Protection Cover** is used and they **differ if a 60 mm (2.362 in) wide Cover or a 73 mm (2.874 in) wide Cover is used**. 4 **Screws** are required to fasten each Protection Cover to the two High Lateral Elements.

**High Lateral Elements with Left and Right Rail Hook** can be used to fasten the **Extruded PCB Supports** that are quite short and quite lightweight to the DIN rail. Alternatively, it's possible to use 2 **Elements**

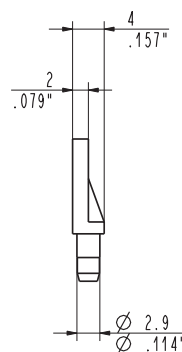
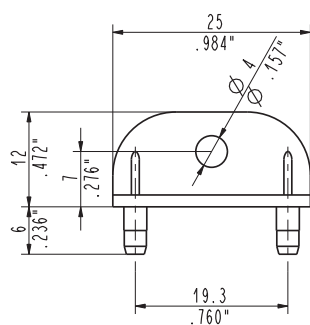
**Without Hooks** by placing the required number of **DIN Rail Hooks** directly under the Extruded Profile.

To fasten each Lateral Element to the Extruded Profile, 3 **Screws** must be used.

For customer convenience, the Support can be supplied with one Lateral Element already assembled. This option, if desired, must be clearly requested.

Description	Part-Number	Pcs / pack
Left High Lateral Element with Rail Hook	STC107TS60	25
Left High Lateral Element with Rail Hook	STC107TS73	25
Right High Lateral Element with Rail Hook	STC107TD60	25
Right High Lateral Element with Rail Hook	STC107TD73	25
High Lateral Element Without Rail Hook	STC107T060	100
High Lateral Element Without Rail Hook	STC107T073	100

## ▶ Bracket for Mounting on the Wall



STC000F000

## STC000F000

## ▶ Bracket for Mounting on the Wall

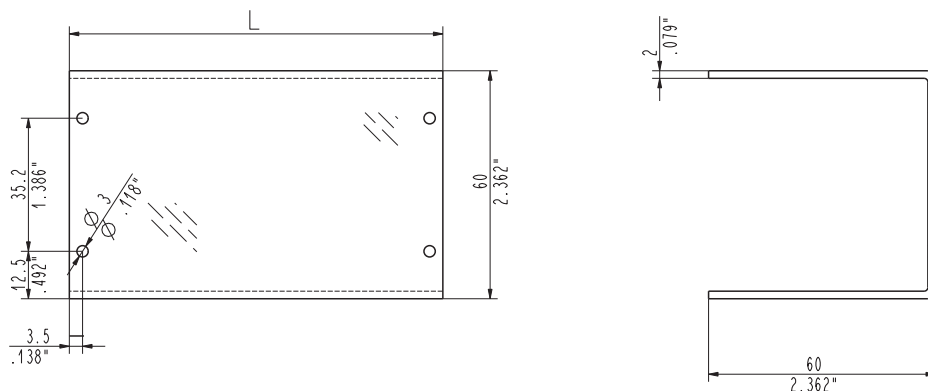
A **Bracket for Mounting on the Wall** can be used to fasten the PCB Support to a flat surface rather than hooking it to a DIN rail.

The **Bracket** is suitable only for the **Lateral Elements Without a Rail Hook**, by snapping on, one per Lateral Element.

The **Bracket for Mounting on the Wall** can be used with both **STC072** and **STC107** Series.

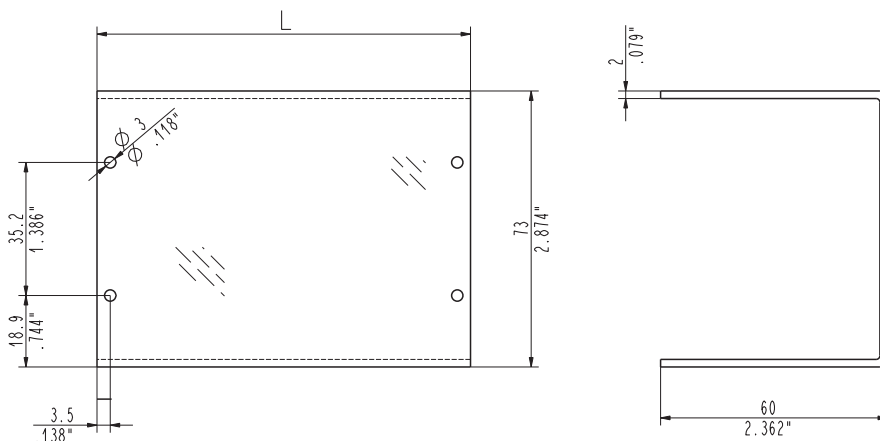
Description	Part-Number	Pcs / pack
Bracket for Mounting on the Wall	STC000F000	100

▶ Custom sized 60 mm (2.362 in) Protection Cover



STC107C\_ \_ \_

▶ Custom sized 73 mm (2.874 in) Protection Cover



STC107D\_ \_ \_

STC107C\_ \_ \_ / STC107D\_ \_ \_

▶ Custom sized Protection Cover

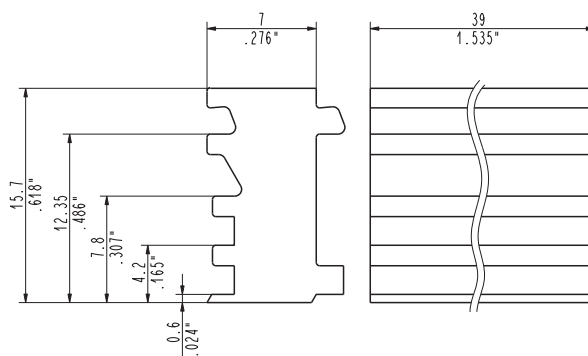
For Custom sized Protection Cover, length of the piece must be equal to the corresponding length of the Profile, that is the length of the PCB minus 3.5 mm (.137 in). It's advised to round off the figure to the higher whole number.

The Length of the Support, including the Lateral Elements, is equal to the Length of the Profile plus 6 mm (.236 in).

	L	Part-Number	Pcs / pack	For PCB		Support Length	
				(mm)	(in)	(mm)	(in)
Custom size	(for 73 mm (2.874 in) Protection Cover)	STC107D_ _ _	50	L + 3.5	L + .137	L + 6	L + .236
70 mm	(for 60 mm (2.362 in) Protection Cover)	STC107C070	50	73.5	2.894	76	2.992
Custom size	(for 73 mm (2.874 in) Protection Cover)	STC107D_ _ _	50	L + 3.5	L + .137	L + 6	L + .236
70 mm	(for 73 mm (2.874 in) Protection Cover)	STC107D070	50	73.5	2.894	75	2.992

## Extruded Supports

## ▶ Size Adapter for 100 mm (3.937 in) PCBs



STC107A039

## STC107A039

## ▶ Adapter for 100 mm (3.937 in) PCBs

The **Adapter for 100 mm (3.937 in) PCBs** is necessary when mounting boards 100 mm (3.937 in) wide on the **STC107** Series Supports. It must be inserted in the Profile lengthwise in the desired side and it doesn't need fastening.

The board will be offset in relation to the centerline of the profile. This position must be taken into consideration if the Protection Cover is used.

The **Adapter for 100 mm (3.937 in) PCBs** is available in **1.535 in (39 mm) standard length**.

It must be used in a quantity that does not exceed the corresponding length of the Profile.

Description	Part-Number	Pcs / pack
Size of STD Adapter for 3.937 in (100 mm) PCB	STC107A039	50

▶ In the following tables some indicative examples of configuration are shown, as might occur in some practical applications.

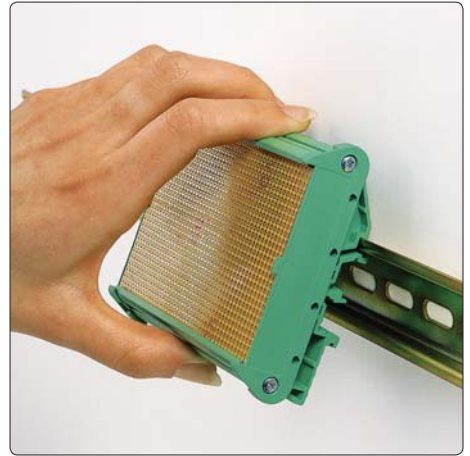
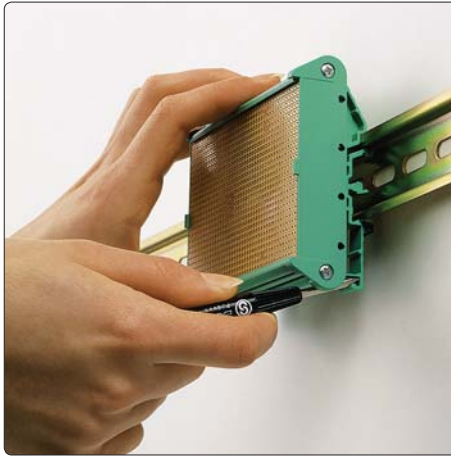
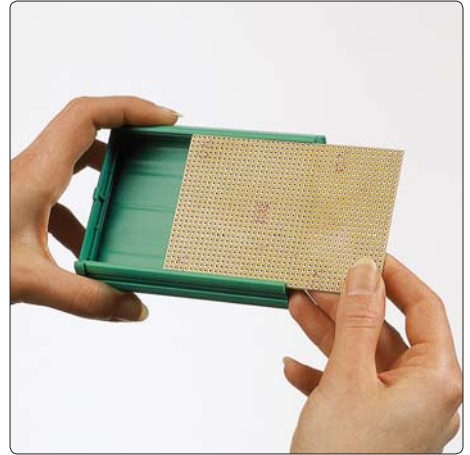
Example	Extruded Profile	Left Lat. Element	Right Lat. Element	Head Without	DIN Rail	Screw for Head	Bracket for
Without Protection		with Rail Hook	with Rail Hook	Rail Hook	Hook	Fastening	Mounting on the Wall
	<b>STC107_ _ _ _</b>	<b>STC107TSX0</b>	<b>STC107TDX0</b>	<b>STC107T000</b>	<b>STC107P011</b>	<b>STC000V015</b>	<b>STC000F000</b>
Lightweight	1	1	1			6	
Medium Weight	1			2	1	6	
Medium-Heavyweight	1			2	2	6	
Heavyweight	1			2	3	6	
Support to be fastened on a flat surface	1			2		6	2 ÷ 6

Example	Extruded Profile	High Left Lat. Element	High Right Lat. Element	High Head Without	DIN Rail	Screw for Head	Screw for	Bracket for
With Protection	Protection Cover	with Rail Hook	with Rail Hook	Rail Hook	Hook	Fastening	Protection Cover	Mounting on the Wall
	<b>STC107_ _ _ _</b>	<b>STC107TS_ _</b>	<b>STC107TD_ _</b>	<b>STC107T0_ _</b>	<b>STC107P011</b>	<b>STC000V015</b>	<b>STC000VC15</b>	<b>STC000F000</b>
Lightweight	1 + 1	1	1			6	4	
Medium Weight	1 + 1			2	1	6	4	
Medium-Heavyweight	1 + 1			2	2	6	4	
Heavyweight	1 + 1			2	3	6	4	
Support to be fastened on a flat surface	1 + 1			2		6	4	2 ÷ 6



# EXAMPLES OF INSTALLATION

**STC107 Extruded support**



**STC107 Extruded support**

