



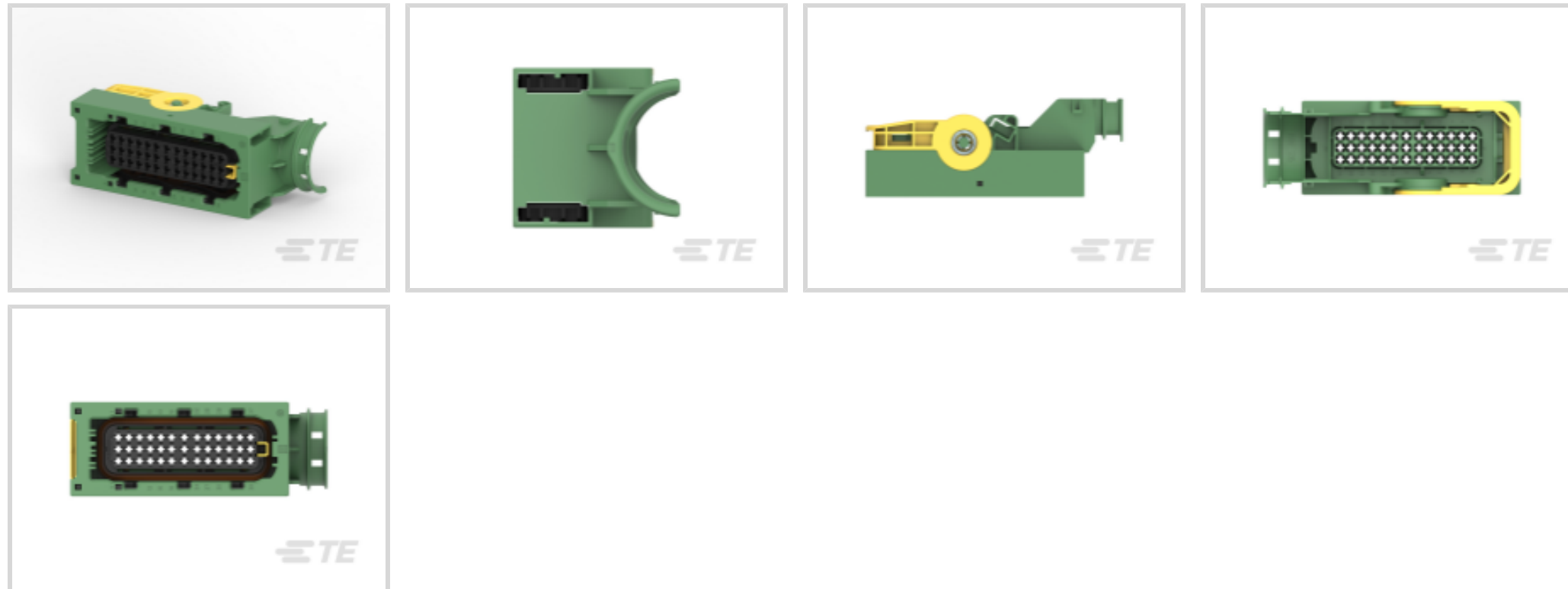
AMP | LEAVYSEAL

TE Internal #: 5-1718321-3

Housing for Female Terminals, Wire-to-Wire, 39 Position, 5 mm [.197 in] Centerline, Sealable, Green, Wire & Cable, Power, LEAVYSEAL

[View on TE.com >](#)

Connectors > Automotive Connectors > Automotive Housings > LEAVYSEAL Connector Housings



Connector System: **Wire-to-Wire**

Number of Positions: **39**

Connector & Housing Type: **Housing for Female Terminals**

Centerline (Pitch): **5 mm [.197 in]**

Sealable: **Yes**

[All LEAVYSEAL Connector Housings \(64\)](#)

Features

Product Type Features

Mixed & Hybrid Connector	No
Connector Shape	Rectangular
Connector System	Wire-to-Wire
Connector & Housing Type	Housing for Female Terminals
Sealable	Yes
Connector & Contact Terminates To	Wire & Cable
Primary Locking Feature	Integrated in Housing

Configuration Features

Number of Positions	39
Number of Rows	3

Electrical Characteristics

Operating Voltage	36 VDC
-------------------	--------



Body Features

Cable Exit Angle	90°
Primary Product Color	Green
Connector & Keying Code	E

Contact Features

Contact Size	2.8mm
Contact Type	Receptacle
Mating Tab Width	2.8 mm[.11 in]
Contact Current Rating (Max)	32 A

Mechanical Attachment

Terminal Position Assurance	No
Strain Relief	With
Mating Alignment Type	Keyed
Mating Alignment	With
Connector Mounting Type	Cable Mount (Free-Hanging)

Housing Features

Housing Material	PBT GF20
Centerline (Pitch)	5 mm[.197 in]

Dimensions

Connector Height	46 mm[1.81 in]
Product Width	44 mm[1.73 in]
Product Length	120.5 mm[4.74 in]
Row-to-Row Spacing	5.5 mm[.216 in]

Usage Conditions

Operating Temperature (Max)	120 °C[248 °F]
Operating Temperature Range	-40 – 120 °C[-40 – 248 °F]

Operation/Application

Circuit Application	Power
---------------------	-------

Industry Standards

Degree of Protection	IP67, IP69K
UL Flammability Rating	UL 94V-0

Packaging Features



Packaging Quantity	117
Packaging Method	Box

Other

Serviceable	Yes
Connector Position Assurance Capable	No

Product Compliance

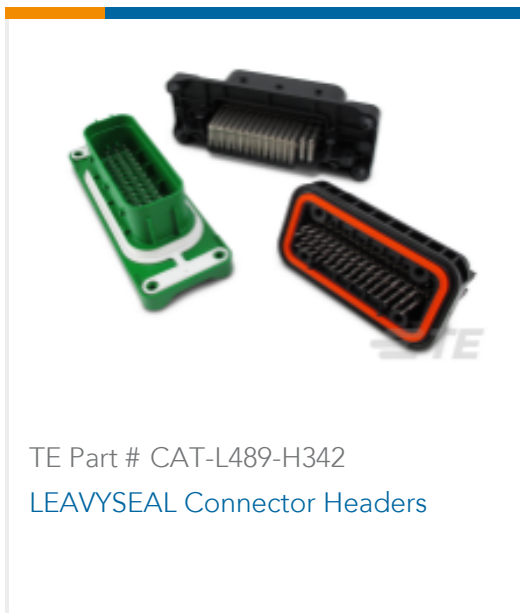
[For compliance documentation, visit the product page on TE.com>](#)

EU RoHS Directive 2011/65/EU	Compliant
EU ELV Directive 2000/53/EC	Compliant
China RoHS 2 Directive MIIT Order No 32, 2016	No Restricted Materials Above Threshold
EU REACH Regulation (EC) No. 1907/2006	Current ECHA Candidate List: JUNE 2024 (241) Candidate List Declared Against: JAN 2024 (240) Does not contain REACH SVHC
Halogen Content	Not Low Halogen - contains Br or Cl > 900 ppm.
Solder Process Capability	Not applicable for solder process capability

Product Compliance Disclaimer

This information is provided based on reasonable inquiry of our suppliers and represents our current actual knowledge based on the information they provided. This information is subject to change. The part numbers that TE has identified as EU RoHS compliant have a maximum concentration of 0.1% by weight in homogenous materials for lead, hexavalent chromium, mercury, PBB, PBDE, DBP, BBP, DEHP, DIBP, and 0.01% for cadmium, or qualify for an exemption to these limits as defined in the Annexes of Directive 2011/65/EU (RoHS2). Finished electrical and electronic equipment products will be CE marked as required by Directive 2011/65/EU. Components may not be CE marked. Additionally, the part numbers that TE has identified as EU ELV compliant have a maximum concentration of 0.1% by weight in homogenous materials for lead, hexavalent chromium, and mercury, and 0.01% for cadmium, or qualify for an exemption to these limits as defined in the Annexes of Directive 2000/53/EC (ELV). Regarding the REACH Regulation, the information TE provides on SVHC in articles for this part number is based on the latest European Chemicals Agency (ECHA) 'Guidance on requirements for substances in articles' posted at this URL: <https://echa.europa.eu/guidance-documents/guidance-on-reach>

Compatible Parts



TE Part # CAT-L489-H342
LEAVYSEAL Connector Headers



TE Part # 5-1718323-1
2.8MM TAB HSG.,39POS.,ASSY



TE Part # 1418882-1
COVER FOR 62POS.REC.HSG



TE Part # 828905-1
SINGLE-WIRE-SEAL(5MM HOLE)

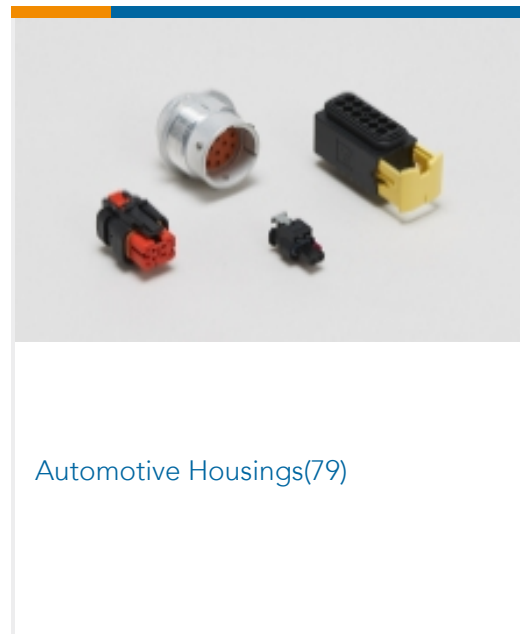


TE Part # CAT-AM705-T273
AMP MCP, RECEPTACLE AND TAB

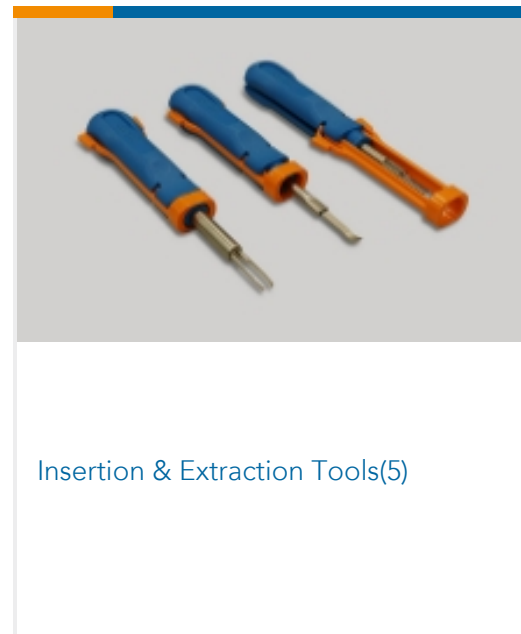
Also in the Series | LEAVYSEAL



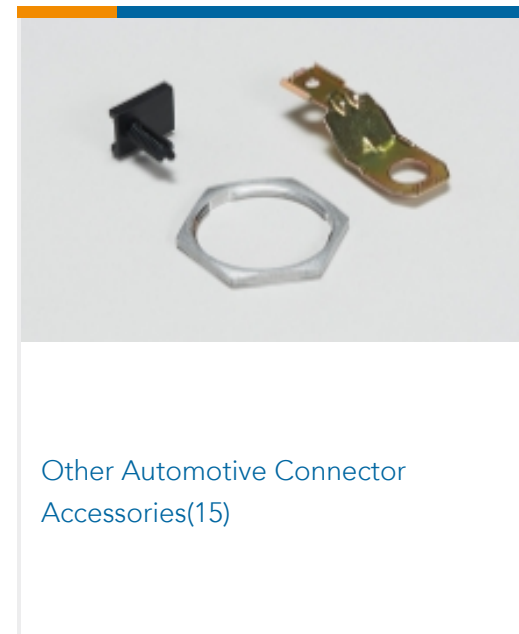
Automotive Connector Caps & Covers
(18)



Automotive Housings(79)



Insertion & Extraction Tools(5)



Other Automotive Connector
Accessories(15)



PCB Headers & Receptacles(16)

Customers Also Bought



TE Part #1-1534127-1
LEAVYSEAL Connector Housings



TE Part #828905-1
SINGLE-WIRE-SEAL(5MM HOLE)



TE Part #90227-1
DAHT FASTON 24-20 ASSY



TE Part #1-968855-1
AMP MCP, RECEPTACLE AND TAB



TE Part #D369-P33-BP1
369 3 WAY PLUG, CRIMP, PIN



TE Part #2379921-1
21POS,AMP MCP 2.8,REC HSG ASSY,
UNSLD



TE Part #2379921-4
21POS,AMP MCP 2.8,REC HSG ASSY,
UNSLD

Documents

Product Drawings

[AMP MCP2.8 RECEPTACLE HSG.,39POS.,ASSY](#)

English

[AMP MCP2.8 RECEPTACLE HSG.,39POS.,ASSY](#)

English

[AMP MCP2.8 RECEPTACLE HSG.,39POS.,ASSY](#)

English

CAD Files

Customer View Model

[ENG_CVM_CVM_5-1718321-3_D.2d_dxf.zip](#)

English

[3D PDF](#)

3D

Customer View Model

[ENG_CVM_CVM_5-1718321-3_D.3d_igs.zip](#)

English

Customer View Model

[ENG_CVM_CVM_5-1718321-3_D.3d_stp.zip](#)

English

By downloading the CAD file I accept and agree to the [Terms and Conditions](#) of use.

Datasheets & Catalog Pages

[ICT Terminals and Connectors Catalogue](#)

English

Product Specifications

[Application Specification](#)

German