

ARK865CHLT



200 x 200

Sample image

Order symbol : ARK865CHLT

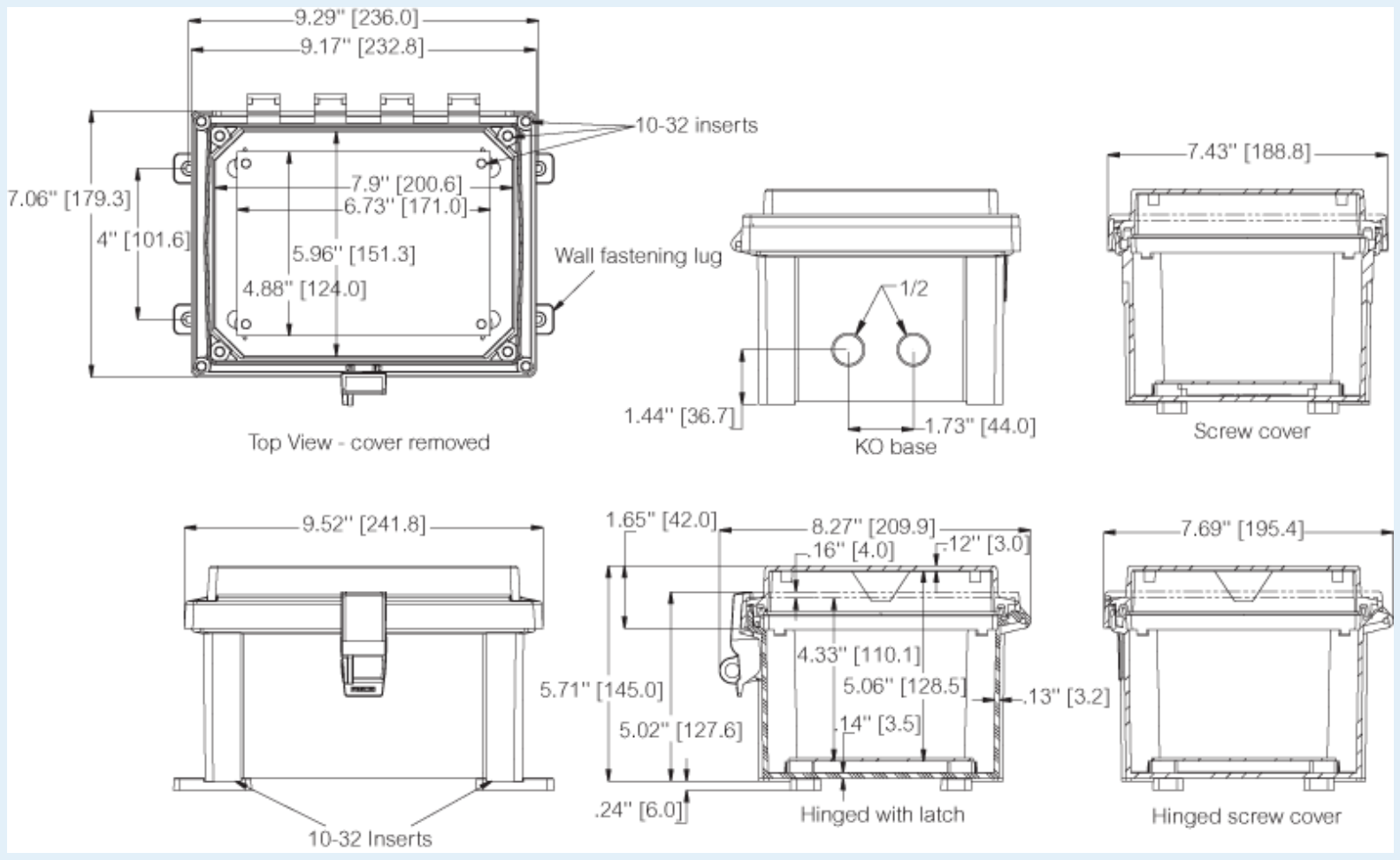
Product nr : 8561421

Description : PC Enclosure

Remarks : Hinged transparent cover w/Plastic quick release latch. Base includes 1/2 and 3/4 inch knock-outs.

EAN : 6418074095978

Including : Hinged cover. Base with 10-32 brass inserts, latched cover with formed in place PUR gasket, stainless hinge pin. Base with 1/2 and 3/4 inch knock-outs. Quick release latches. Enclosure mounting foot kit. Accessory 10-32 screws for panel mounting.



Dimensions : **Height** **Width** **Depth**

Accessories :

| | | | |
|--------|-----|-----|-----|
| mm : | 203 | 152 | 127 |
| inch : | 8 | 6 | 5 |

Materials :

| | |
|-------------------|----------------------|
| Material : | Polycarbonate |
| Base colour : | RAL 7035 -light grey |
| Cover colour : | Transparent |
| Gasket material : | Polyurethane |

Temperatures :

| | |
|-------------------------------|-------------|
| Temperature °C (short term) : | -40 ... 140 |
| Temperature °C (continuous) : | -40 ... 80 |
| Temperature °F (short term) : | -40 ... 250 |
| Temperature °F (continuous) : | -40 ... 175 |

| | |
|--------|-----------------------------|
| AMFL6 | 6" Mounting Flange Set |
| ASP86 | Aluminum Swing Panel |
| ASPK86 | Swing Panel Kit incl. Panel |
| APBP86 | PVC Back Panel |
| ASPHK8 | Swing Panel Kit w/o Panel |
| ABP86 | Painted Steel Back Panel |
| ALBP86 | Aluminum Back Panel |
| ADFP86 | Dead Front Panel w/ screws |

Ratings :

| | |
|---|-----------------------------------|
| Ingress protection (EN 60529): | IP66; IP67; |
| Impact Resistance (EN 62262): | IK09; |
| electrical_insulation : | Totally insulated |
| Halogen free (DIN/VDE 0472, Part 815) : | Yes |
| UV resistance : | UL 508 |
| Flammability Rating : | UL 508 |
| Glow Wire Test (IEC 695-2-1) °C : | 960 °C |
| NEMA Class | NEMA 4, 4X, 6, 6P, 12, 12K and 13 |