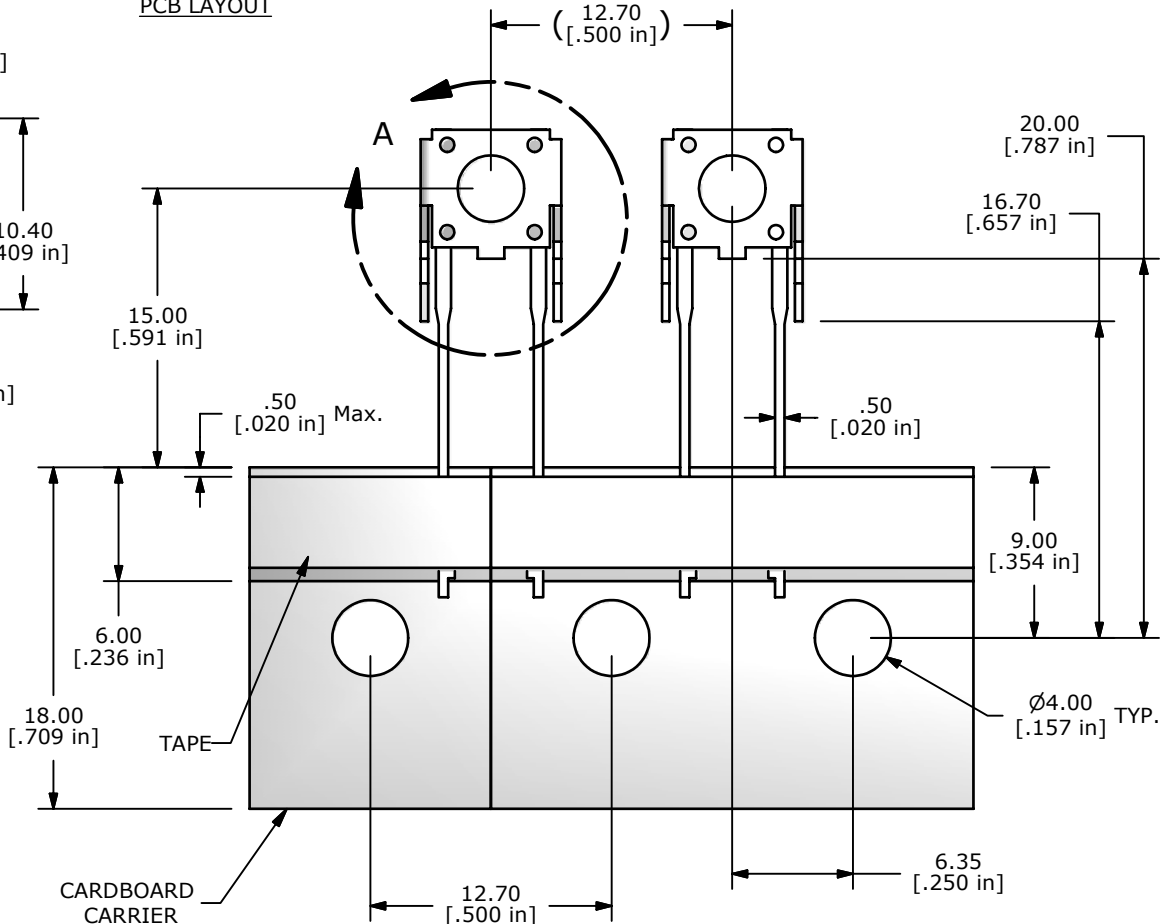


DETAIL A
SCALE 2.5 : 1

- NOTES:
1. ALL DIMENSIONS IN MM
 2. GENERAL TOLERANCE: X.X±0.4
X.XX±0.25
 3. TERM. NOS. FOR REF. ONLY
 4. CONTACT RATING: 20mA @ 12VDC
 - ▲ 5. OPERATING FORCE: 160 ± 50gf
 6. TRAVEL: 0.25 +0.2/-0.1 mm
 7. CONTACT RESISTANCE: 50 milliohms Max.
 8. CONTACT MATERIAL: SILVER
 9. ▲ DENOTES CRITICAL PARAMETER.
 10. 2002/95/EC (ROHS) COMPLIANT
 11. OPERATING TEMPERATURE: -20°C TO 70° C
 12. INSULATION RESISTANCE: 100M Ohms min.



A	17996	RELEASE FOR PRODUCTION	3/21/08	BLR
REV	PCR NO	DESCRIPTION	DATE	BY

THE INFORMATION CONTAINED IN THIS DOCUMENT IS PROPRIETARY TO E-SWITCH AND IS NOT TO BE COPIED OR TRANSFERRED

TITLE TL58WF160Q				
SCALE	DATE	DR	DWG	REV
2.5:1	3/21/2008	BLR	P010636	A