

UTMED 4 - Feed-through terminal block



3047465

<https://www.phoenixcontact.com/us/products/3047465>

Please be informed that the data shown in this PDF document is generated from our online catalog. Please find the complete data in the user documentation. Our general terms of use for downloads are valid.



Feed-through terminal block, nom. voltage: 500 V, nominal current: 32 A, number of connections: 2, connection method: Screw connection, cross section: 0.14 mm² - 6 mm², mounting type: NS 35/7,5, NS 35/15, color: gray

Your advantages

- Compact design

Commercial data

| | |
|--------------------------------------|---------------------|
| Item number | 3047465 |
| Packing unit | 50 pc |
| Minimum order quantity | 50 pc |
| Sales key | BE01 |
| Product key | BE1133 |
| Catalog page | Page 169 (C-1-2019) |
| GTIN | 4046356511377 |
| Weight per piece (including packing) | 12.713 g |
| Weight per piece (excluding packing) | 12.713 g |
| Customs tariff number | 85369010 |
| Country of origin | PL |

UTMED 4 - Feed-through terminal block



3047465

<https://www.phoenixcontact.com/us/products/3047465>

Technical data

Product properties

| | |
|-----------------------|-----------------------------|
| Product type | Feed-through terminal block |
| Product family | UTMED |
| Number of connections | 2 |
| Number of rows | 1 |
| Potentials | 1 |

Data management status

| | |
|------------------|----|
| Article revision | 06 |
|------------------|----|

Insulation characteristics

| | |
|----------------------|-----|
| Overvoltage category | III |
| Degree of pollution | 3 |

Electrical properties

| | |
|---|--------|
| Rated surge voltage | 6 kV |
| Maximum power dissipation for nominal condition | 1.02 W |

Connection data

| | |
|---|---|
| Number of connections per level | 2 |
| Nominal cross section | 4 mm ² |
| Stripping length | 9 mm |
| Internal cylindrical gage | A4 |
| Connection in acc. with standard | IEC 60947-7-1 |
| Conductor cross section rigid | 0.14 mm ² ... 6 mm ² |
| Cross section AWG | 26 ... 10 (converted acc. to IEC) |
| Conductor cross section flexible | 0.14 mm ² ... 6 mm ² |
| Conductor cross section, flexible [AWG] | 26 ... 10 (converted acc. to IEC) |
| Conductor cross-section flexible (ferrule without plastic sleeve) | 0.25 mm ² ... 4 mm ² |
| Flexible conductor cross section (ferrule with plastic sleeve) | 0.25 mm ² ... 4 mm ² |
| 2 conductors with same cross section, solid | 0.14 mm ² ... 1.5 mm ² |
| 2 conductors with same cross section, flexible | 0.14 mm ² ... 1.5 mm ² |
| 2 conductors with same cross section, flexible, with ferrule without plastic sleeve | 0.25 mm ² ... 1.5 mm ² |
| 2 conductors with the same cross section, flexible, with TWIN ferrule with plastic sleeve | 0.5 mm ² ... 2.5 mm ² |
| Nominal current | 32 A |
| Maximum load current | 32 A (with a 6 mm ² conductor cross section) |
| Nominal voltage | 500 V |

Dimensions

| | |
|-----------------|--------|
| Width | 6.2 mm |
| End cover width | 2.2 mm |

UTMED 4 - Feed-through terminal block



3047465

<https://www.phoenixcontact.com/us/products/3047465>

| | |
|--------------------|---------|
| Height | 66 mm |
| Depth on NS 35/7,5 | 49.5 mm |
| Depth on NS 35/15 | 57 mm |

Material specifications

| | |
|--|-----------------|
| Color | gray (RAL 7042) |
| Flammability rating according to UL 94 | V0 |
| Insulating material group | I |
| Insulating material | PA |
| Static insulating material application in cold | -60 °C |
| Relative insulation material temperature index (Elec., UL 746 B) | 130 °C |
| Fire protection for rail vehicles (DIN EN 45545-2) R22 | HL 1 - HL 3 |
| Fire protection for rail vehicles (DIN EN 45545-2) R23 | HL 1 - HL 3 |
| Fire protection for rail vehicles (DIN EN 45545-2) R24 | HL 1 - HL 3 |
| Fire protection for rail vehicles (DIN EN 45545-2) R26 | HL 1 - HL 3 |
| Surface flammability NFPA 130 (ASTM E 162) | passed |
| Specific optical density of smoke NFPA 130 (ASTM E 662) | passed |
| Smoke gas toxicity NFPA 130 (SMP 800C) | passed |

Electrical tests

Surge voltage test

| | |
|--------|-------------|
| Result | Test passed |
|--------|-------------|

Temperature-rise test

| | |
|--|-------------------------------------|
| Requirement temperature-rise test | Increase in temperature ≤ 45 K |
| Result | Test passed |
| | Test passed |
| Short-time withstand current 4 mm ² | 0.48 kA |
| Result | Test passed |

Power-frequency withstand voltage

| | |
|-----------------------|-------------|
| Test voltage setpoint | 1.89 kV |
| Result | Test passed |

Mechanical properties

Mechanical data

| | |
|-----------------|-----|
| Open side panel | Yes |
|-----------------|-----|

Mechanical tests

Mechanical strength

| | |
|--------|-------------|
| Result | Test passed |
|--------|-------------|

Attachment on the carrier

| | |
|-------------------------|-------------|
| DIN rail/fixing support | NS 32/NS 35 |
|-------------------------|-------------|

UTMED 4 - Feed-through terminal block



3047465

<https://www.phoenixcontact.com/us/products/3047465>

| | |
|--------|-------------|
| Result | Test passed |
|--------|-------------|

Environmental and real-life conditions

Needle-flame test

| | |
|------------------|-------------|
| Time of exposure | 30 s |
| Result | Test passed |

Oscillation/broadband noise

| | |
|------------------------|--|
| Specification | DIN EN 50155 (VDE 0115-200):2018-05 |
| Spectrum | Service life test category 2, bogie-mounted |
| Frequency | $f_1 = 5 \text{ Hz}$ to $f_2 = 250 \text{ Hz}$ |
| ASD level | $6.12 \text{ (m/s}^2\text{)}^2\text{/Hz}$ |
| Acceleration | 3.12g |
| Test duration per axis | 5 h |
| Test directions | X-, Y- and Z-axis |

Shocks

| | |
|--------------------------------|-------------------------------------|
| Specification | DIN EN 50155 (VDE 0115-200):2008-03 |
| Pulse shape | Half-sine |
| Acceleration | 30g |
| Shock duration | 18 ms |
| Number of shocks per direction | 3 |
| Test directions | X-, Y- and Z-axis (pos. and neg.) |

Ambient conditions

| | |
|--|--|
| Ambient temperature (operation) | -60 °C ... 110 °C (Operating temperature range incl. self-heating; for max. short-term operating temperature, see RTI Elec.) |
| Ambient temperature (storage/transport) | -25 °C ... 60 °C (for a short time, no longer than 24 h, -60°C to +70°C) |
| Ambient temperature (assembly) | -5 °C ... 70 °C |
| Ambient temperature (actuation) | -5 °C ... 70 °C |
| Permissible humidity (operation) | 20 % ... 90 % |
| Permissible humidity (storage/transport) | 30 % ... 70 % |

Standards and regulations

| | |
|----------------------------------|---------------|
| Connection in acc. with standard | IEC 60947-7-1 |
|----------------------------------|---------------|

Mounting

| | |
|---------------|-----------|
| Mounting type | NS 35/7,5 |
| | NS 35/15 |
| Thread type | () |

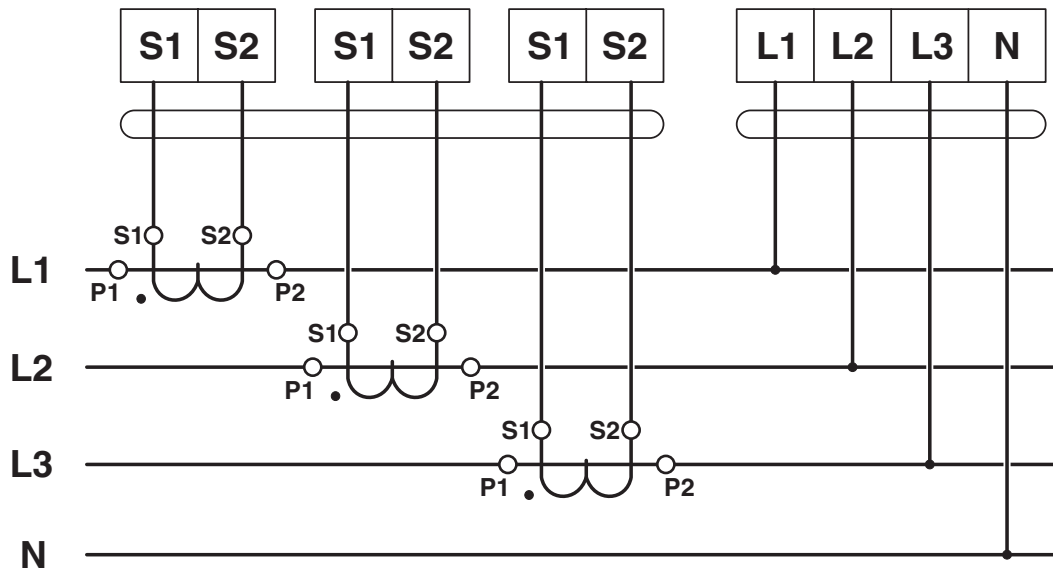
UTMED 4 - Feed-through terminal block

3047465

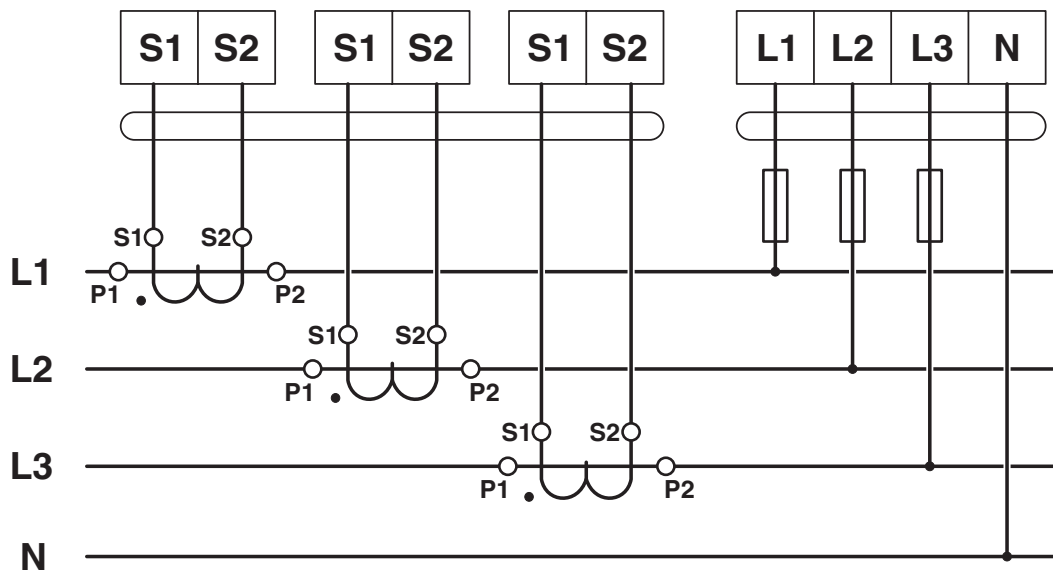
<https://www.phoenixcontact.com/us/products/3047465>

Drawings

Circuit diagram



Circuit diagram



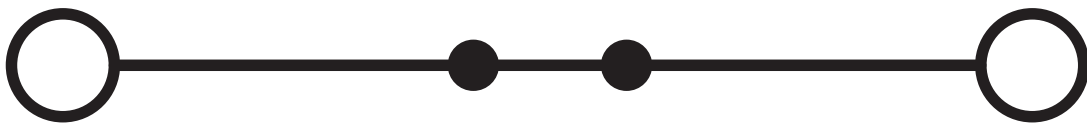
UTMED 4 - Feed-through terminal block

3047465

<https://www.phoenixcontact.com/us/products/3047465>



Circuit diagram



UTMED 4 - Feed-through terminal block




3047465


<https://www.phoenixcontact.com/us/products/3047465>

Approvals

To download certificates, visit the product detail page: <https://www.phoenixcontact.com/us/products/3047465>

|  CSA Approval ID: 13631 | | | | |
|--|-----------------------|-----------------------|-------------------|-----------------------------|
| | Nominal voltage U_N | Nominal current I_N | Cross section AWG | Cross section mm^2 |
| Use group B | 600 V | 25 A | 26 - 10 | - |
| Use group C | 600 V | 25 A | 26 - 10 | - |
| Use group D | 600 V | 5 A | 26 - 10 | - |

|  EAC Approval ID: RU C-DE.BL08.B.00534 | | | | |
|---|--|--|--|--|
|---|--|--|--|--|

|  cULus Recognized Approval ID: E60425 | | | | |
|--|-----------------------|-----------------------|-------------------|-----------------------------|
| | Nominal voltage U_N | Nominal current I_N | Cross section AWG | Cross section mm^2 |
| Use group B | 300 V | 30 A | 26 - 10 | - |
| Use group C | 300 V | 30 A | 26 - 10 | - |
| Use group D | 600 V | 5 A | 26 - 10 | - |

UTMED 4 - Feed-through terminal block



3047465

<https://www.phoenixcontact.com/us/products/3047465>

Classifications

ECLASS

| | |
|-------------|----------|
| ECLASS-11.0 | 27141126 |
| ECLASS-12.0 | 27141126 |
| ECLASS-13.0 | 27250109 |

ETIM

| | |
|----------|----------|
| ETIM 9.0 | EC000902 |
|----------|----------|

UNSPSC

| | |
|-------------|----------|
| UNSPSC 21.0 | 39121400 |
|-------------|----------|

UTMED 4 - Feed-through terminal block



3047465

<https://www.phoenixcontact.com/us/products/3047465>

Environmental product compliance

EU RoHS

| | |
|---|------|
| Fulfills EU RoHS substance requirements | Yes |
| Exemption | 6(c) |

China RoHS

| | |
|--|---|
| Environment friendly use period (EFUP) | EFUP-50 |
| | An article-related China RoHS declaration table can be found in the download area for the respective article under "Manufacturer declaration". For all articles with EFUP-E, no China RoHS declaration table issued and required. |

EU REACH SVHC

| | |
|-------------------------------------|--------------------------------------|
| REACH candidate substance (CAS No.) | Lead(CAS: 7439-92-1) |
| SCIP | cba26b91-4ae2-4b35-8fa9-b65f65055516 |

Phoenix Contact 2024 © - all rights reserved

<https://www.phoenixcontact.com>

Phoenix Contact USA
586 Fulling Mill Road
Middletown, PA 17057, United States
(+717) 944-1300
info@phoenixcon.com