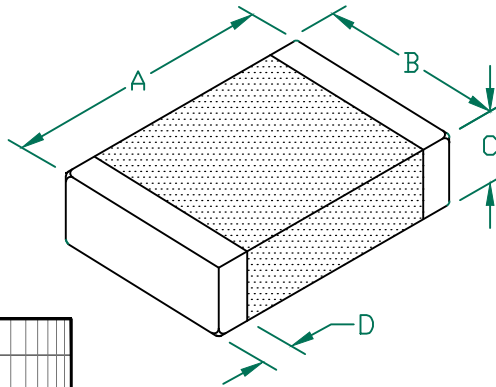


# MI1812K121R-10

## PHYSICAL DIMENSIONS:

A	4.50 [.177]	+ 0.25 [.010]
B	3.20 [.126]	+ 0.25 [.010]
C	1.40 [.055]	+ 0.25 [.010]
D	0.46 [.018]	+ 0.20 [.008]



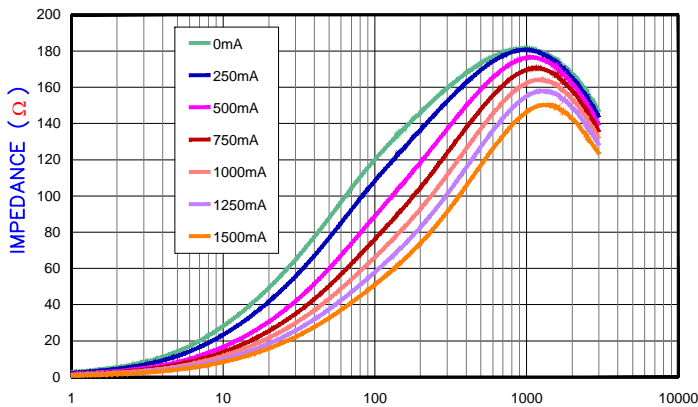
## ELECTRICAL CHARACTERISTICS:

Z @ 100MHz (Ω)	DCR (Ω)	Rated Current
Nominal	120	
Minimum	90	
Maximum	150	0.055
		1500 mA

NOTES: UNLESS OTHERWISE SPECIFIED

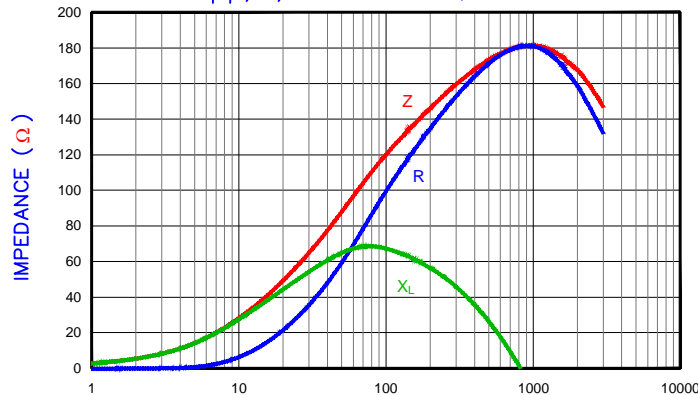
1. TAPED AND REELED per CURRENT EIA SPECIFICATIONS 13" REELS, 2500 PCS/REEL.
2. COMPONENTS SHOULD BE ADEQUATELY PREHEATED BEFORE SOLDERING.
3. TERMINATION FINISH IS 100% TIN.
4. OPERATING TEMP. RANGE: -40°C~+125°C. (INCLUDING SELF-HEATING)

Z vs FREQUENCY



FREQUENCY (MHz)

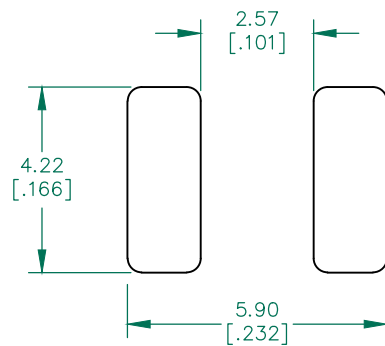
|Z|, R, AND X vs. FREQUENCY



FREQUENCY (MHz)

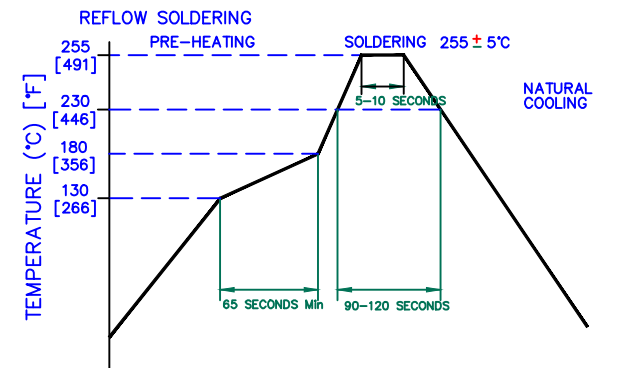
Z R X<sub>L</sub>

LAND PATTERNS FOR REFLOW SOLDERING



(For wave soldering, add 0.762 [.030] to this dimension.)

RECOMMENDED SOLDERING CONDITIONS



DIMENSIONS ARE IN INCHES (mm).

This print is the property of Laird Tech. and is loaned in confidence subject to return upon request and with the understanding that no copies shall be made without the written consent of Laird Tech. All rights to design or invention are reserved.



D	ADD OPERATING TEMPERATURE UPDATE LAIRD LOGO AND REFLOW CURVE	08/05/13	QU	PROJECT/PART NUMBER:	MI1812K121R-10	REV	D	PART TYPE:	CO-FIRE	DRAWN BY:	JRK
C	UPDATE COMPANY LOGO	09/09/08	JRK	DATE:	04/14/04	SCALE:	NTS	SHEET:			
B	UPDATE CURVES & COMPANY LOGO ADD ROHS	05/16/07	JRK	CAD #	MI1812K121R-10-D	TOOL #	-				1 of 1
A	ORIGINAL DRAFT	04/14/04	JRK								
REV	DESCRIPTION	DATE	INT								

