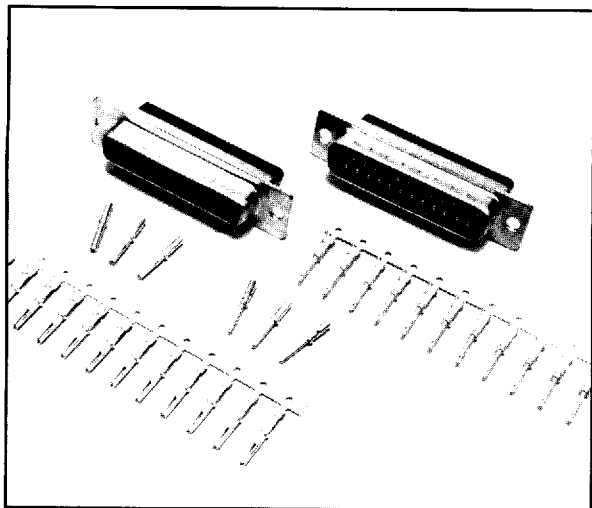


A-17-03
A-61-11

D*U SUBMINIATURE CONNECTORS

Crimp Contact Type



FEATURES

- Crimp snap-in contacts
- Low cost stamped contacts and machined contacts
- Compatible with manual and high-speed semiautomatic crimping machines
- Low cost, easy-to-use multipurpose connectors
- AWG #18 to #30 wire size
- Straight and right angle PCB contacts available
- Rear release contact retention and mating/unmating construction



D*U Subminiature connectors feature crimp-type contacts. The contacts can be terminated with either a simple manual crimping tool, or a semiautomatic crimping machine for rapid, high volume terminations. The contacts are inserted in the housing after crimping and are retained by molded-in tines located inside the insulators. A simple tool permits easy contact removal without damage.

D*U Subminiature connectors are reliable, low cost general purpose connectors for commercial applications.

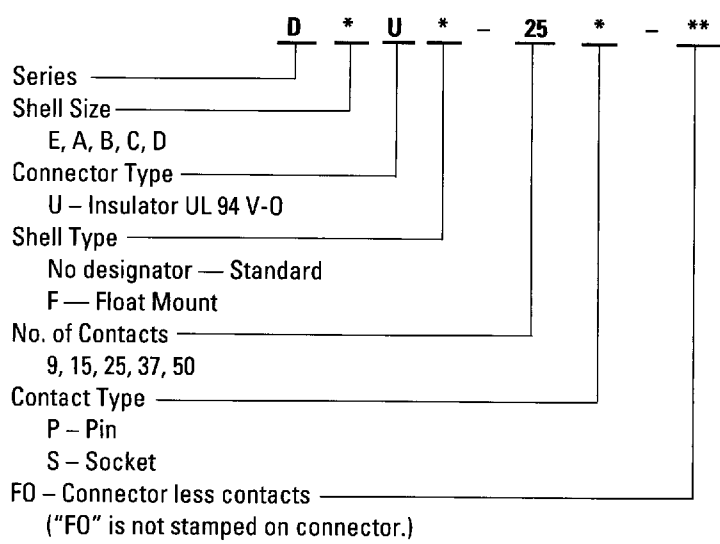
GENERAL SPECIFICATIONS

Number of Contacts	9, 15, 25, 37, 50
Current Rating	5 Amps
Dielectric Withstanding Voltage	1000 VAC r.m.s. (for one minute)
Insulation Resistance	5,000 megohms min.
Contact Resistance	AWG #18 to #22/2.7 milliohms max. AWG #24 to #26/4.5 milliohms max. AWG #28 to #30/6 milliohms max.

MATERIALS AND FINISHES

Description	Materials/Finishes
Contacts	Copper Alloy/Gold Plate
Insulator	Front: Glass-filled polyester Back: Glass-filled Nylon, UL94V-0, Black
Shell	Steel/Yellow chromate over zinc plate

ORDERING INFORMATION



D 05F ■ 4893465 0000827 T42 ■

Hong Kong	Japan	Singapore	Taiwan	United Kingdom	United States
Tel: 852-2723-7782	03-3780-2715	65-748-1332	02-555-9711	1276-21717	714-753-2600
Fax: 852-2723-9028	03-3780-2883	65-748-2920	02-556-5424	1276-66165	714-753-2699

Dimensions and specifications subject to change without notice.

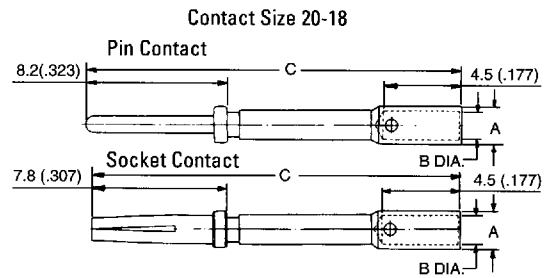
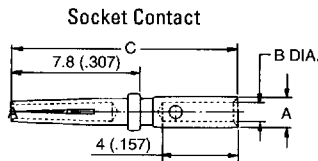
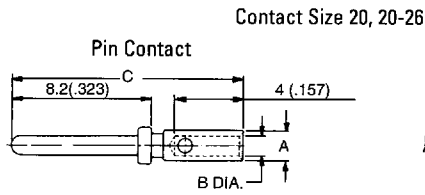


D*U SUBMINIATURE CONNECTORS

Crimp Contact Type

CRIMP TERMINATION CONTACTS FOR D*U

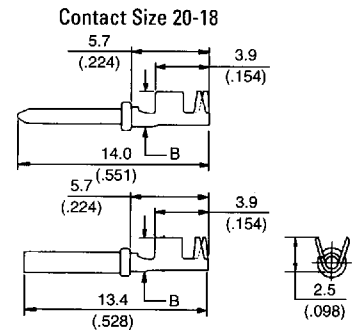
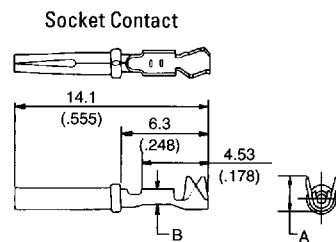
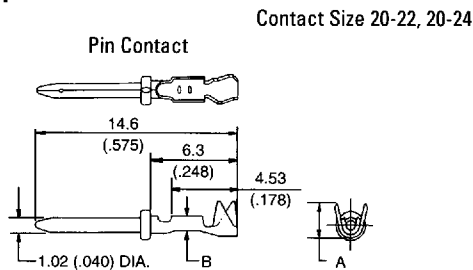
• Machined Contacts



Contact Size	Contact Type	Part Number	Applicable Wire (AWG)	A ref.	B ref.	C ref.
20	Pin	030-50635	#20, 22, 24	1.7 (.067)	1.12 (.044)	13.5 (.531)
	Socket	030-50634	#20, 22, 24	1.7 (.067)	1.12 (.044)	13.0 (.512)
20-26	Pin	030-50641	#26, 28, 30	1.7 (.067)	0.62 (.024)	13.5 (.531)
	Socket	030-50640	#26, 28, 30	1.7 (.067)	0.62 (.024)	13.0 (.512)
(Note) 20-18	Pin	030-1954-000	#18 or 2 #22	2.18 (.086)	1.65 (.065)	21.7 (.854)
	Socket	030-1955-000	#18 or 2 #22	2.18 (.086)	1.65 (.065)	21.3 (.839)

Note: For contact size 20-18, shrink sleeving covering a crimp pot is recommended to improve dielectric separation of contacts.

• Stamped Contacts



- Stamped contacts are furnished either on a reel (10,000 contacts per reel) for semi-automatic crimping machine CT350-2, or loose (100 contacts per pack) for use with manual crimping tools.
- Cable is securely terminated by insulation-support crimping. (Conductor crimping only for contact size 20-18.)

Contact Size	Contact Type	Part Number		A ref.	B ref.	Applicable Wire Size	
		Reeled Contacts (10,000 contacts per reel)	Loose Contacts (100 contacts per pack)			Applicable AWG	Insulation Dia.
20-18	Pin	D*C-20-18P-10000	D*C-20-18P-PKG100	2.5 (.098)	2.4 (.094)	#18 to #22	—
	Socket	D*C-20-18S-10000	D*C-20-18S-PKG100				
20-22	Pin	D*C-20-22P-10000	D*C-20-22P-PKG100	2.6 (.102)	1.8 (.071)	#22 to #24	ø1.2 to ø1.7 (ø.047 to ø.067)
	Socket	D*C-20-22S-10000	D*C-20-22S-PKG100				
20-24	Pin	D*C-20-24P-10000	D*C-20-24P-PKG100	2.3 (.091)	1.55 (.061)	#24 to #28 #28 to #30	ø0.8 to ø1.5 (ø.031 to ø.059) ø0.5 to ø1.2 (ø.020 to ø.047)
	Socket	D*C-20-24S-10000	D*C-20-24S-PKG100				

• Tools for D*U

Contact		Part Number			Applicable Wire Size (AWG)	Insertion/Extraction Tool	Extraction Tool
		Hand Crimp Tool	Locator	Semi-Automatic Crimping Machine			
MACHINED	20	M22520/2-01	JP-D*C-20-20	—	#20, 22, 24	JJET-D*C-20	ET-20D
	20-26	M22520/2-01	JP-D*C-20-20	—	#26, 28, 30	JJET-D*C-20	ET-20D
	20-18	M22520/1-01	TH185	—	#18, OR 2#22	—	—
STAMPED	20-18	CT150-2B-D*C		CT350-2C-D*C	#18 to #22	JJET-D*C-20	ET-20D
	20-22	CT150-2-D*C		CT350-2C-D*C	#22 to #24	JJET-D*C-20	ET-20D
	20-24	(Note 1) CT150-2-D*C, CT150-2-D*Cmk2		CT350-2C-D*C	#24 to #28	JJET-D*C-20	ET-20D
		—		CT350-2C-D*C30	#28 to #30	JJET-D*C-20	ET-20D

Note: When ordering hand tool M22520, purchase the proper locator separately.

Note 1: CT150-2-D*C for insulation dia. 1.5 to 1.0 (.059 to .039), CT150-2-D*Cmk2 for insulation dia. 1.3 to 0.8 (.051 to .031)

Dimensions in mm (inches).

Hong Kong
Tel: 852-2723-7782
Fax: 852-2723-9028

Japan
03-3780-2715
03-3780-2883

Singapore
65-748-1332
65-748-2920

Taiwan
02-555-9711
02-556-5424

United Kingdom
1276-21717
1276-66165

United States
714-753-2600
714-753-2699



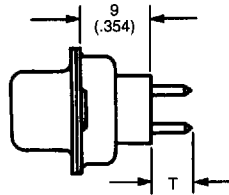
D*U SUBMINIATURE CONNECTORS

Through Hole Type

STRAIGHT THROUGH HOLE CONTACTS FOR D*U SERIES

Straight through hole type contacts are also available for D*U Series connectors. Contacts are rear insertion, rear release type.

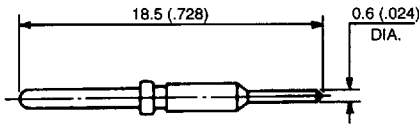
- Please refer to page 240 for Dimensions and Contact Arrangements of D*U Connector, and page 244 for PCB Mounting Hole Patterns.



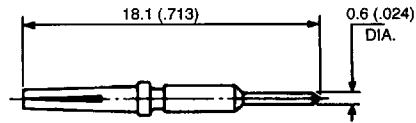
Dimension T	
Machined Type	3.7 (.146)
Stamped Type	4.3 (.169)

• Machined Contacts (Copper alloy/Gold plate)

Pin Contact
030-50662

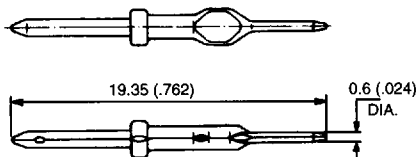


Socket contact
030-50663

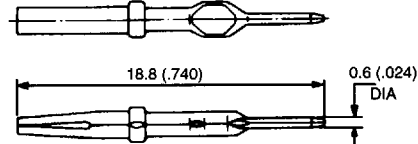


• Stamped Contacts (High strength copper/Gold plate in connecting area, Tin plate in terminal area)

Pin Contact
030-51530-201



Socket contact
030-51531-201



Dimensions in mm (inches).