



## Wireless position switch

### RF 10 H SW915

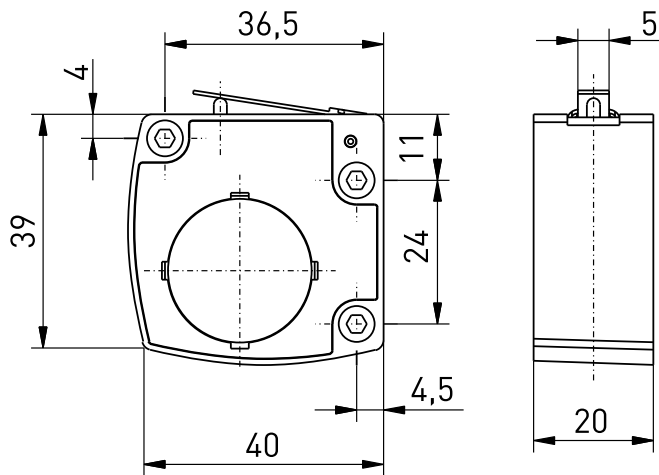
Material number: 1209282 (Material number old: 10120701)

#### Features/Options

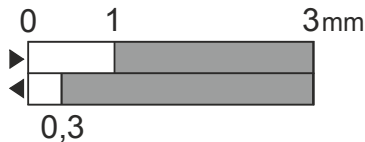
- Thermoplastic enclosure
- sWave® wireless technology
- No wiring and pipe laying required

- Power supply by Lithium battery
- Easy programming of receiver
- Output signal can be individually configured at the receiver

#### Dimensions



#### Switching diagram



#### Technical data

##### Standards

EN 60947-5-1; EN 61000-6-2, -6-3,  
EN 61000-4-2, -4-20;  
EN 301 489-1; EN 301 489-3;  
EN 300 220-1; EN 300 220-2

##### Enclosure

Thermoplastic, Polyamid PA 66

##### Tightening torque

max. 0.5 ... 0.6 Nm

##### Degree of protection

IP 67 to IEC/EN 60529

##### Protocol

sWave®

##### Ambient temperature

-20 °C ... +65 °C

##### Operation cycles

approx. 12000 telegrams at  
repetitions/h

##### Voltage supply

Lithium-battery CR 2032  
(replaceable)

##### Frequency

915 MHz (USA, Canada and  
Australia)

##### Transmission power

< 10 mW

##### Data rate

66 kbps

##### Channel bandwidth

400 kHz

##### Sensing range

max. 400 m outside,  
max. 50 m inside

##### Mechanical life

> 1 million operations

##### Battery life

> 800 000 operations

##### Actuating time

min. 80 ms

##### Note

no status signal available

##### Approvals

USA: FCC: XK5-RFRXSW915;  
Canada: IC: 5158A-RFRXSW915

Errors and omissions excepted.