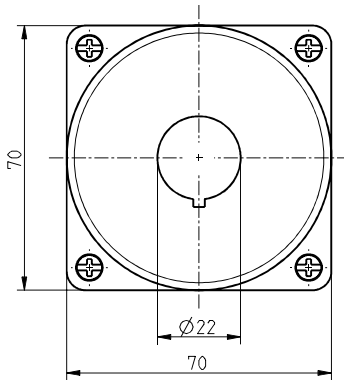
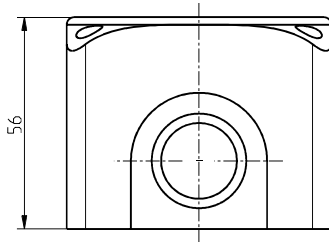




Wireless command device
Enclosure RF BF 74-1
Material number: 1328060

Dimensions



Technical data

Material	polycarbonate
Permissible installation position	any
Tightening torque	cover screws 1.6 Nm/14 lbin
Degree of protection	IP 66/67 to IEC/EN 60529
Environmental conditions	
Operating temperature	-25 °C ... +70 °C
Storage and shipping temperature	-40 °C ... +85 °C

Errors and omissions excepted.