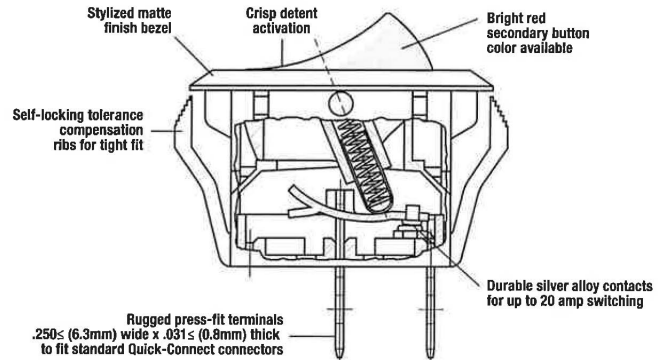


Single-Pole Rocker Switch CR Series



Features

- Rugged design to switch up to 20 amps
- 2-color molded button available
- Fits 3 panel cut-out widths
- Splash-proof option available
- Mechanical life: min. 100,000 operations

Electrical Ratings				
Switch Series	EN61058 Rating	UL1054 Rating	Electrical Life at Rated Load	
			According to VDE (Min. Operations)	According to UL (Min. Operations)
CR	16(4)A, 250V~, T125/55	20A 125 VAC; 16A 250VAC; 3/4HP 250VAC	10,000	6,000

Electrical Specifications		Material Specifications	
Ratings:	20A, 125VAC; 16A 250VAC; 3/4HP cULus 16(4)A, 250V~ T125/55 (VDE)	Actuator (non-lighted):	Nylon 66 94V-2
Dielectric Strength:	1000VAC for 1 minute	(lighted):	Polycarbonate
Insulation Resistance:	100M ohms min at 500VDC	Base:	Nylon 66 94V-2
Initial Contact Resistance:	0.020 ohms max	Spring:	Steel Wire
Temperature Range:	-20°C to + 85°C	Contacts:	Silver Alloy
		Movable Arm:	Silver-Plated Copper Alloy
		Terminals:	Tin-Plated Copper Alloy

RoHS Compliant
UL File No: E23301



Specifications subject to change without notice.

Single-Pole Rocker Switch CR Series



