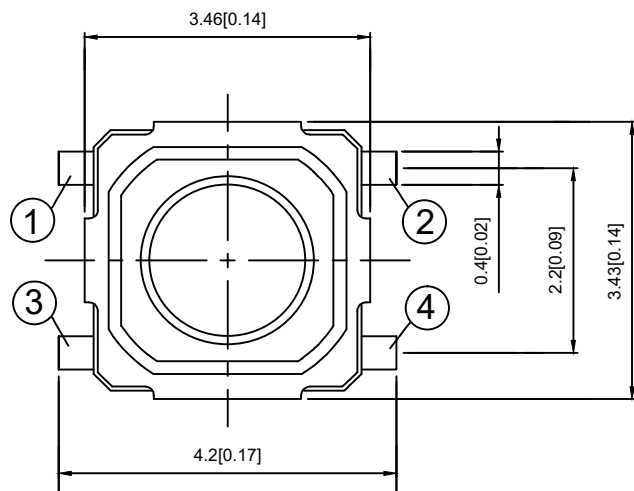
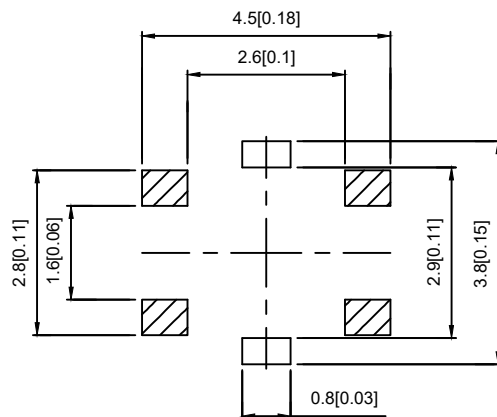


DIMENSIONS



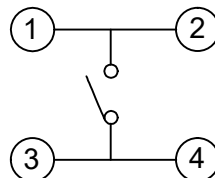
PCB LAYOUT MOUNTING PATTERN



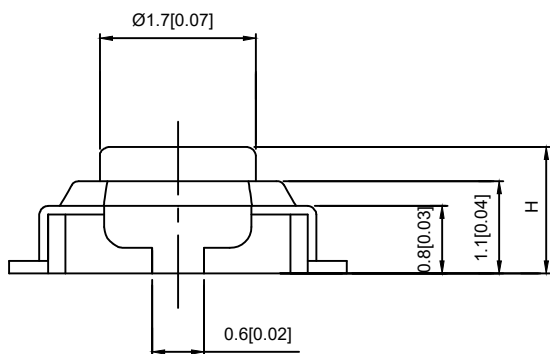
SPECIFICATION

Contact Rating: 50mA, 12V DC
 Contact Resistance: 100mΩ max
 Insulation Resistance: 100mΩ min. 500V DC
 Dielectric Strength: 250V AC/1minute
 Travel: 0.2mm
 Operating Temp: -30°C ~ +85°C
 Storage Temp: -30°C ~ +80°C

CIRCUIT DIAGRAM



PAPT NO	TS-1177-X-X-X
Operating Force	B:160gf C:260gf
Height	H:A:1.5 B:2.0
color	B:black W:white



ITEM	PAPT NAMF	TER,NO	QTY	MATERIAL	FINISHING	REMARK
⑤	Terminal	—	4	Brass (0.30t)	Plating silvering	—
④	Contact	—	1	F.ag/Sus	Natural	—
③	Base	—	1	Pa46		—
②	Cover	—	1	Spcc	Plating Nickel	—
①	Keystake	—	1	Pa46		—

REVISIONS					UNSPECIFIED TOLERANCES	DSND	DATE	SCALE: N/A	MODEL TYPE:		
Δx					units: mm			VIEW:	TACT SWITCH		
Δx					tolerance: X.X ±0.2mm	DWN	DATE	UNIT: mm/in	PART NO.:		
Δx					X.XX ±0.1mm	CHKD	DATE	SIZE: A4	DWG NO.: TS-1177-X-X-X		
MARK	DESCRIPTION	DATE	REVISED	APPROVED	X.XXX ±0.05mm	APPD	DATE				
www.xk-dg.cn www.helloxkb.com www.helloxkb.cn						KXB INDUSTRIAL PRECISION CO., LIMITED			WEIGHT: 1.0g	SHEET: 1/1	REVISION: A0